

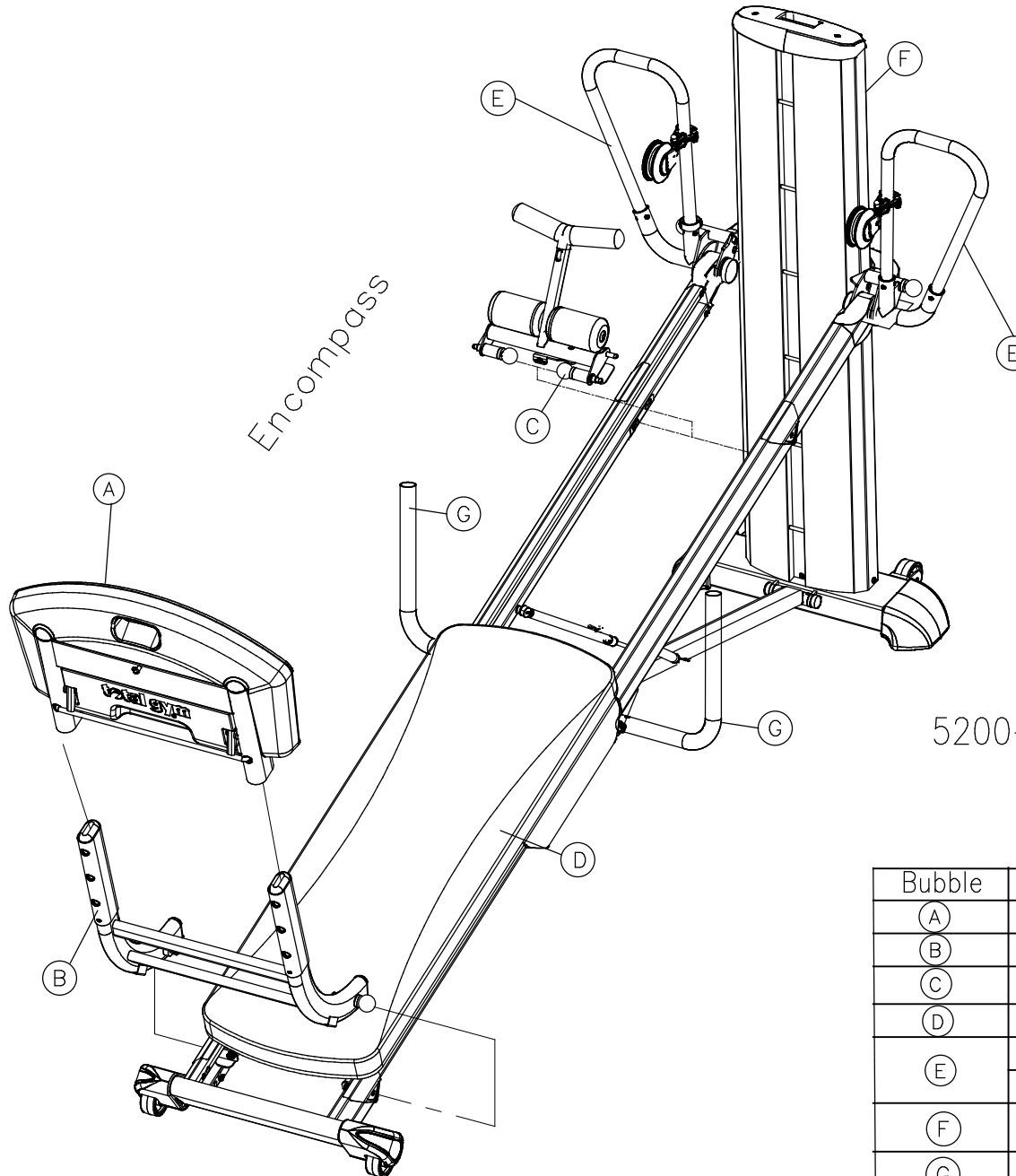
Elevate Encompass Black  
 5200-B1/B2  
 Assembly Drawing, 01-01-2018  
 Design Patent No. D493,853



5225 Avenida Encinas Ste C  
 Carlsbad, CA 92008  
 800 541 4900  
 www.totalgym.com

**PROPRIETARY AND CONFIDENTIAL**

THE INFORMATION CONTAINED IN THIS DRAWING IS THE SOLE PROPERTY OF efi sports medicine. ANY REPRODUCTION IN PART OR AS A WHOLE WITHOUT THE WRITTEN PERMISSION IS PROHIBITED.



5200-B1/B2

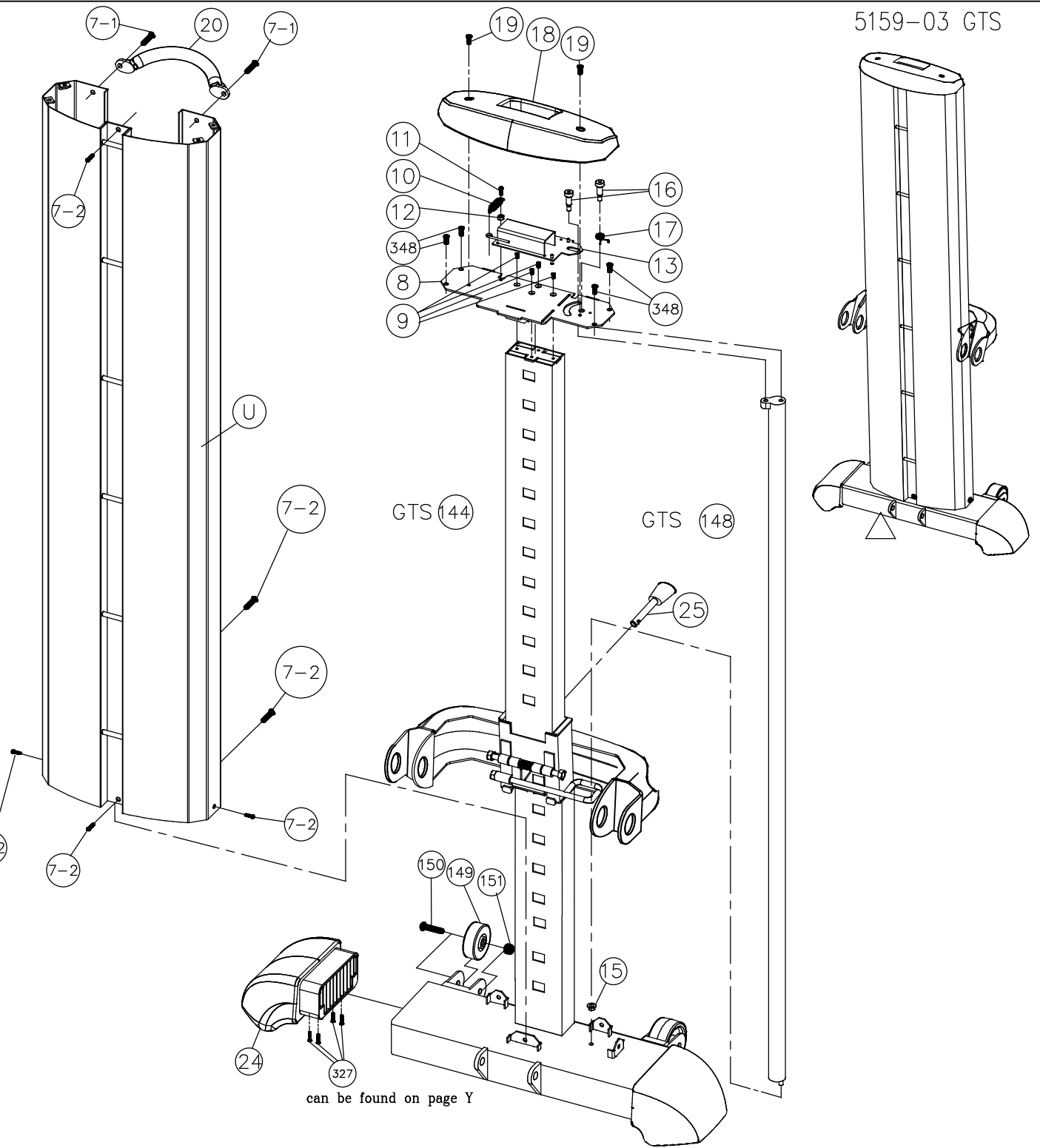
Bubble	Description
(A)	Telescoping Squat Stand
(B)	Folding Platform
(C)	Folding Foot Holder
(D)	Glide Board Adjust: GP
(E)	Lat Bar: Left
(E)	Lat Bar: Right
(F)	Tower: G
(G)	Dip Bar, Retractable

Description	P/N	QTY
(7-1) Screw BHCS M6x12 Blk	5275-01	2
(7-2) Screw BHCS M6x12 NP SS	5274-01	6
(144) Tower Weldment: GTS	5188-03	1
(9) Screw Flat M4x10	5271-01	4
(10) Spring ext. twr handle	5256-01	1
(11) Screw SHCS M5x10	5272-01	1
(12) Nut M5 plain	5345-01	1
(13) Handle TowerToprelease	5327-01	1
(15) Bushing, Flange CamTube	5233-01	1
(148) Tower Cam Tube: GTS	5193-01	1
(16) Shoulder Screw,CamTube	5291-01	2
(17) Spring torsionCamtube	5255-01	1
(18) Tower Plastic Top: S,G	5161-01	1
(19) Screw Flat M5x35	5273-01	2
(20) Handle Tower Back	5337-01	1
(24) Tower Foot	5325-02	2
(25) Detent Pin, Blackhandle	5395-01	1
(149) Wheel 76mm	5323-01	2
(150) Screw BHCS M12x 55 CP	5281-02	2
(151) Nut M12 Nylock	5351-01	2
U Tower Front AssmSport	5152-01	1
U Tower Front Assm:GTS	5153-01	1
T Carriage, GTS Assm	5150-03	1
(8) Tower Top Plate:SG	5190-02	1
(348) Screw SHCS M6x12	5454-01	4

GTS P/N 5159-03  
Tower Assembly Drawing  
01-1-18  
Design Patent No. D493,853



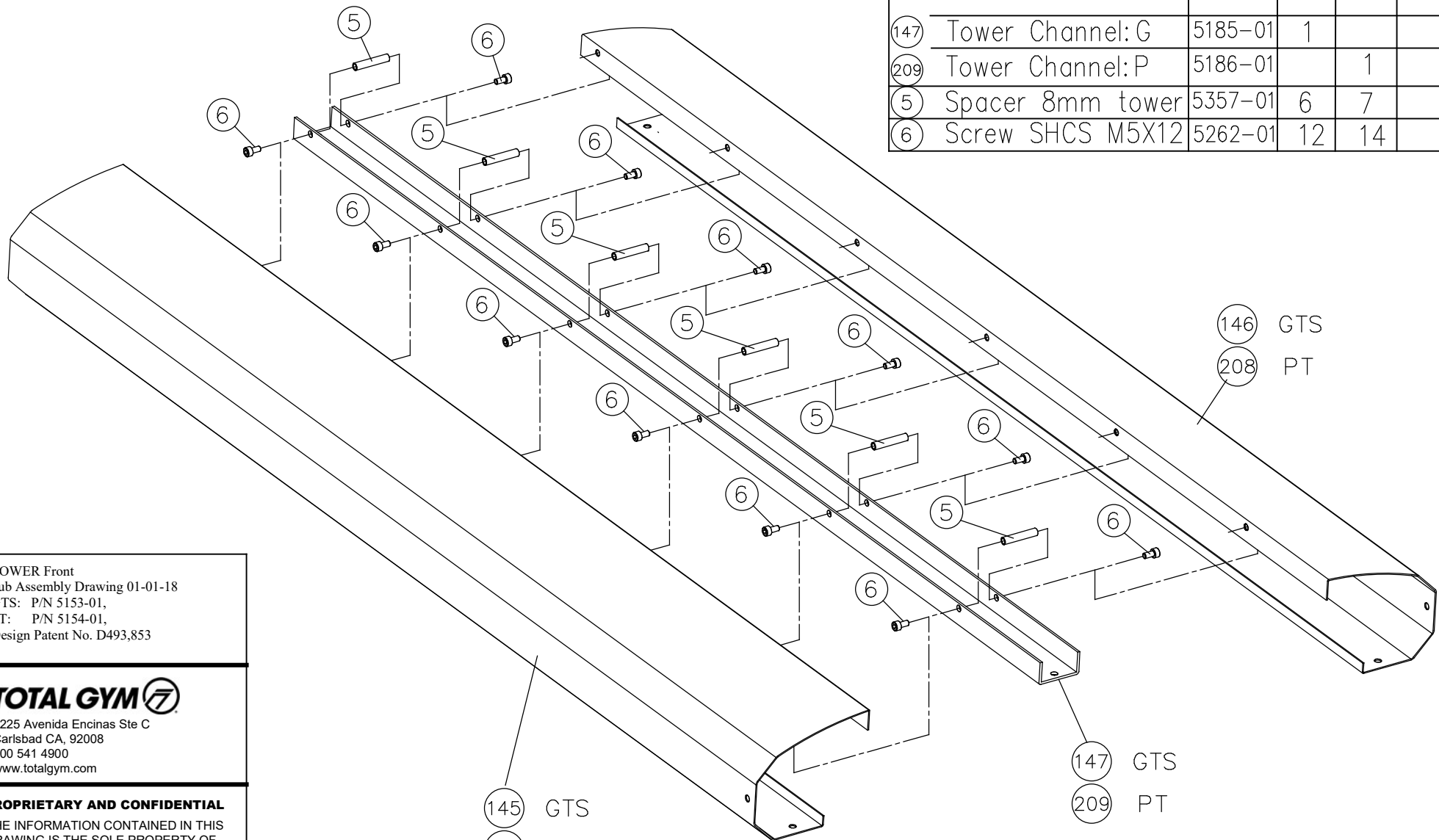
**PROPRIETARY AND CONFIDENTIAL**  
THE INFORMATION CONTAINED IN THIS DRAWING IS THE SOLE PROPERTY OF efi sports medicine. ANY REPRODUCTION IN PART OR AS A WHOLE WITHOUT THE WRITTEN PERMISSION IS PROHIBITED.



5159-03 GTS

can be found on page Y

	Description	P/N	GTS	PT
①45	Tower Front Left:G	5179-01	1	
②07	Tower Front Left:P	5180-01		1
③	Tower Front Right:S	5181-01		
①46	Tower Front Right:G	5182-01	1	
②08	Tower Front Right:P	5183-01		1
①47	Tower Channel:G	5185-01	1	
②09	Tower Channel:P	5186-01		1
⑤	Spacer 8mm tower	5357-01	6	7
⑥	Screw SHCS M5X12	5262-01	12	14



TOWER Front  
 Sub Assembly Drawing 01-01-18  
 GTS: P/N 5153-01,  
 PT: P/N 5154-01,  
 Design Patent No. D493,853

**TOTAL GYM**   
 5225 Avenida Encinas Ste C  
 Carlsbad CA, 92008  
 800 541 4900  
 www.totalgym.com

**PROPRIETARY AND CONFIDENTIAL**  
 THE INFORMATION CONTAINED IN THIS  
 DRAWING IS THE SOLE PROPERTY OF  
 efi sports medicine. ANY REPRODUCTION  
 IN PART OR AS A WHOLE WITHOUT THE  
 WRITTEN PERMISSION IS PROHIBITED.

①45 GTS  
 ②07 PT

①47 GTS  
 ②09 PT

①46 GTS  
 ②08 PT

#	Description	P/N	QTY
23	Nut M8 Nylock	5346-01	1
41	Tower Arm, Sport	5175-01	1
152	Tower Arm, GTS	5176-02	
42	Head Latch weldment "J"	5324-03	1
43	Head Latch Bumper tube	5230-01	0
44	Spring torsion Head latch	5254-01	1
45	Screw SHCS M8x100	5293-01	1
46	Bushing, Head-POM	5234-02	2

Beginning DK1247S00548  
DK1246G02494

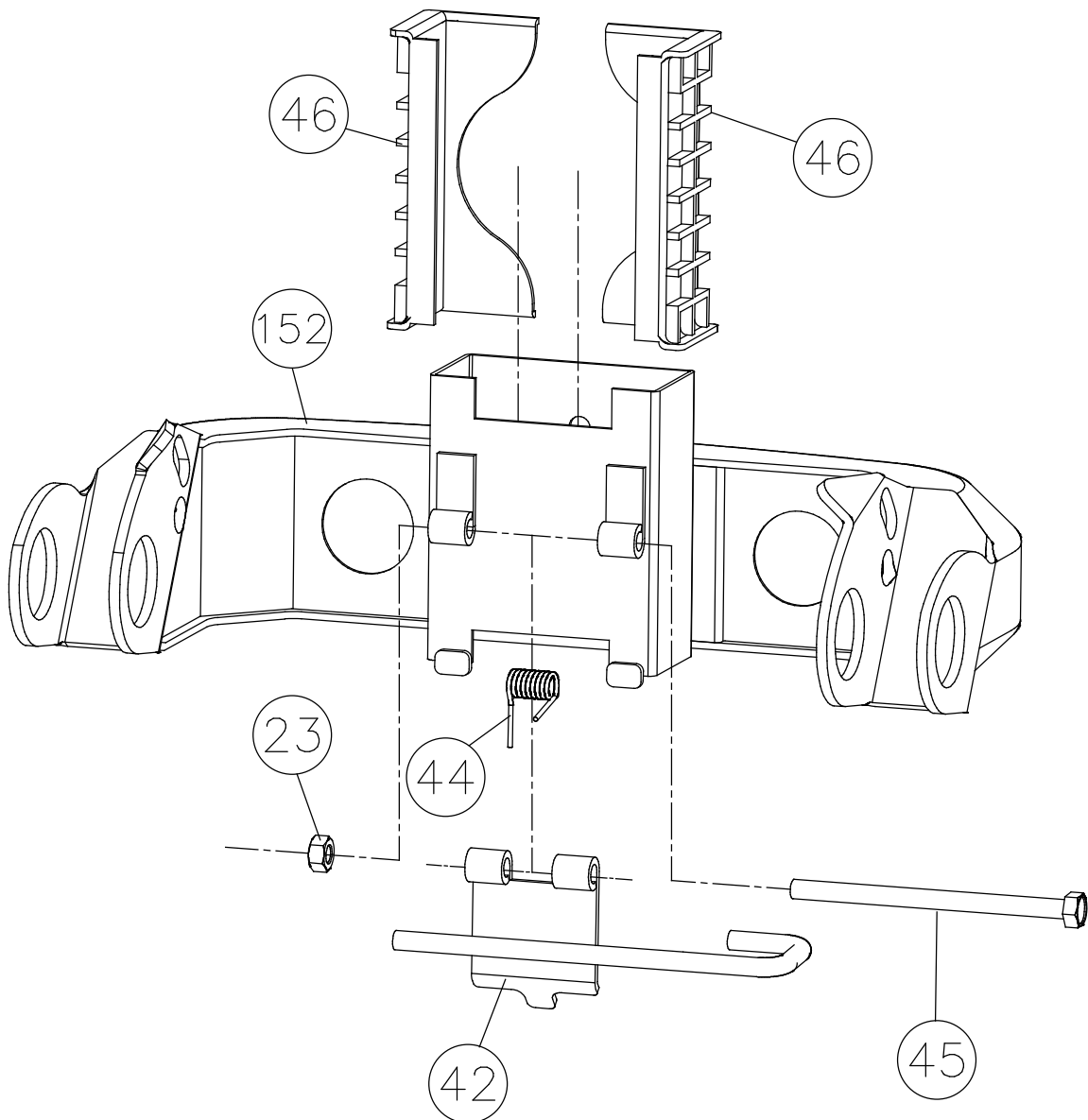
Tower Arm Assembly  
GTS P/N 5150-03  
01-1-18  
Design Patent No. D493,853

**TOTAL GYM** 

5225 Avenida Encinas Ste C  
Carlsbad CA, 92008  
800 541 4900  
www.totalgym.com

**PROPRIETARY AND CONFIDENTIAL**

THE INFORMATION CONTAINED IN THIS DRAWING IS THE SOLE PROPERTY OF efi sports medicine. ANY REPRODUCTION IN PART OR AS A WHOLE WITHOUT THE WRITTEN PERMISSION IS PROHIBITED.



Above: 5150-03 GTS Tower Arm

#	Description	P/N	QTY
79	Nut M6 Nylock	5353-01	2
117	Bottom Hinge Weldment	5319-02	1
123	Hinge Lock Left	5317-01	1
124	Hinge Lock Right	5318-01	1
125	Spring torsion Rail lock	5253-01	2
126	Washer, 6 x1.5	5366-01	4
127	Screw SHCS M6x35	5258-01	2
128	Spacer 6 ID locks	5355-01	2

Beginning DK1203S00248  
DK1210G01706  
DK1206P00301

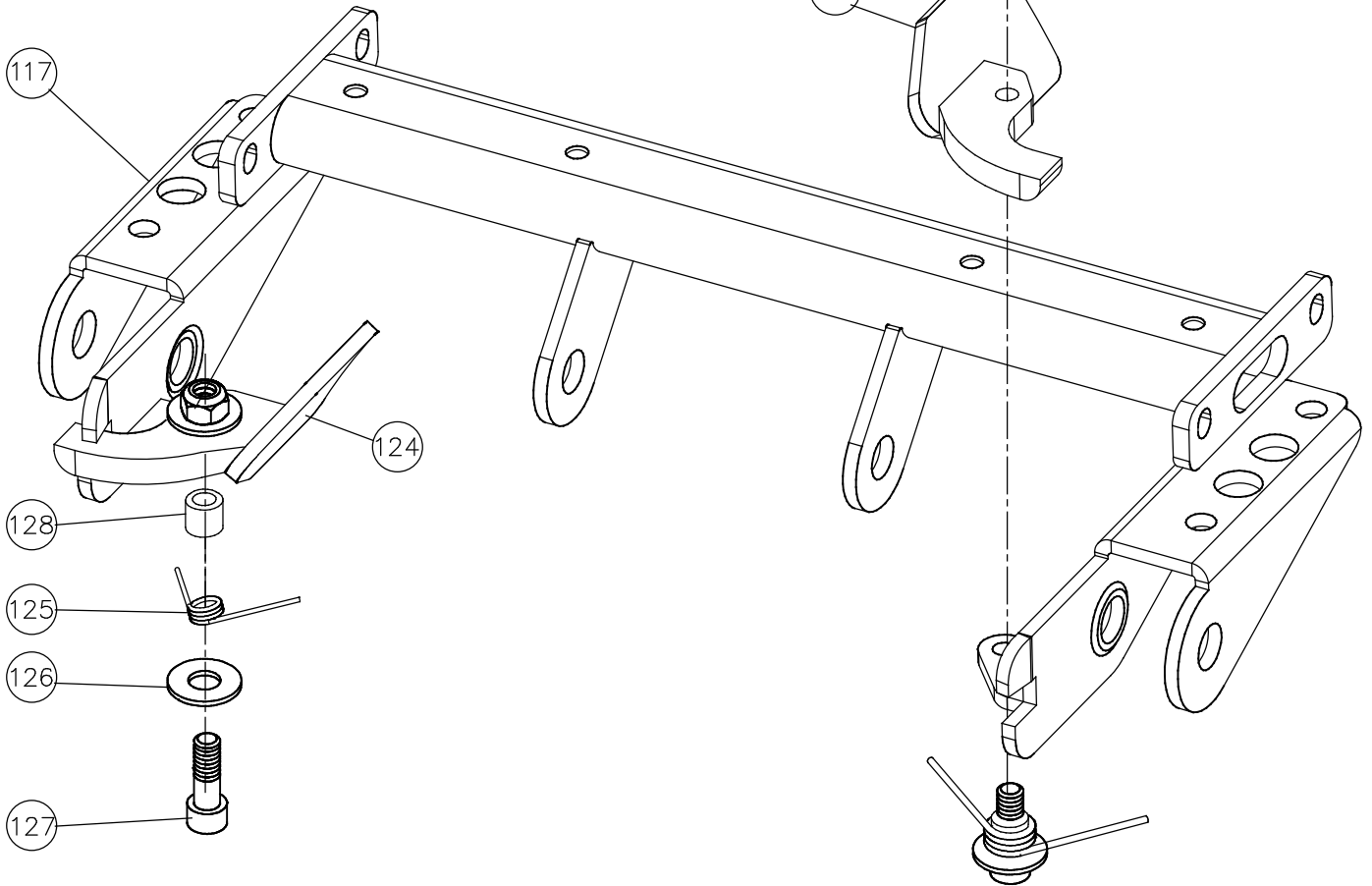
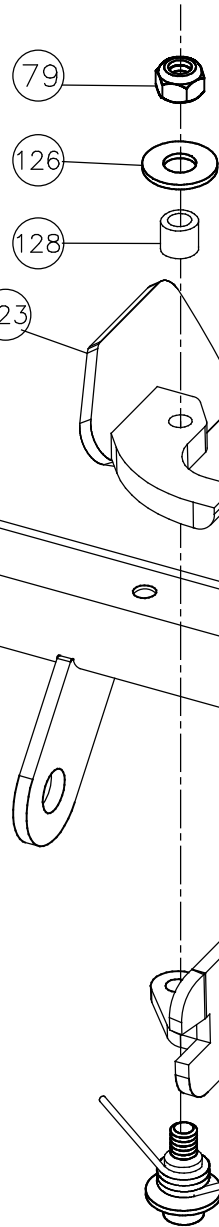
Rail Hinge Assembly  
P/N 5147-02, 01-1-18  
Design Patent No. D493,853

**TOTAL GYM** 

5225 Avenida Encinas Ste C  
Carlsbad CA, 92008  
800 541 4900  
www.totalgym.com

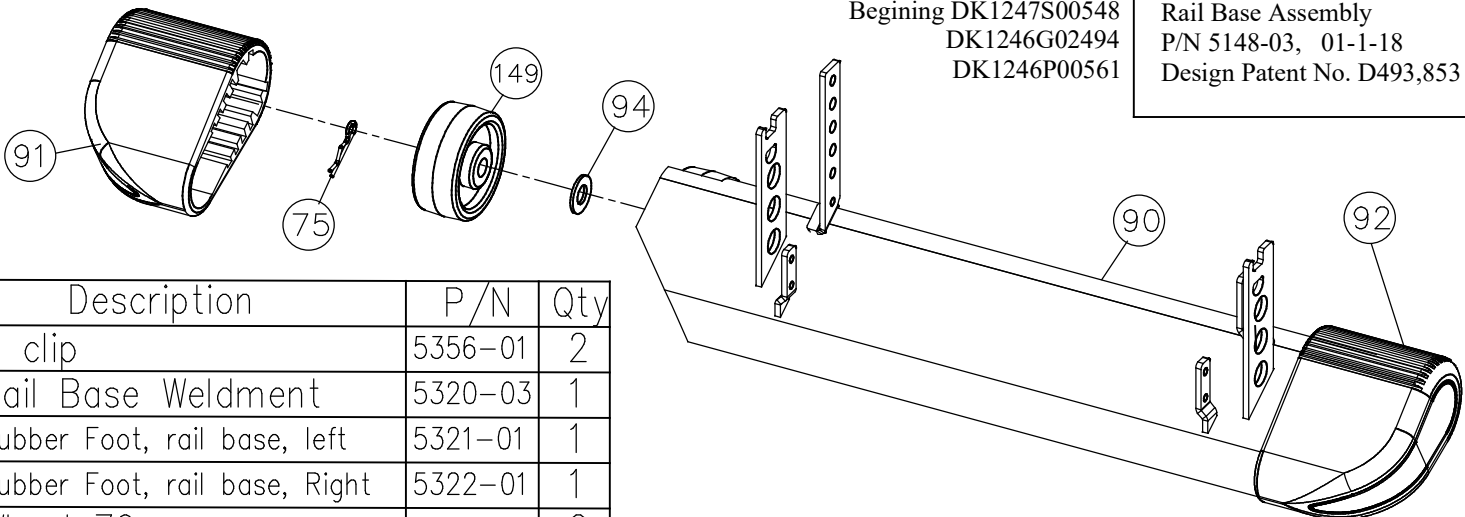
**PROPRIETARY AND CONFIDENTIAL**

THE INFORMATION CONTAINED IN THIS DRAWING IS THE SOLE PROPERTY OF efi sports medicine. ANY REPRODUCTION IN PART OR AS A WHOLE WITHOUT THE WRITTEN PERMISSION IS PROHIBITED.



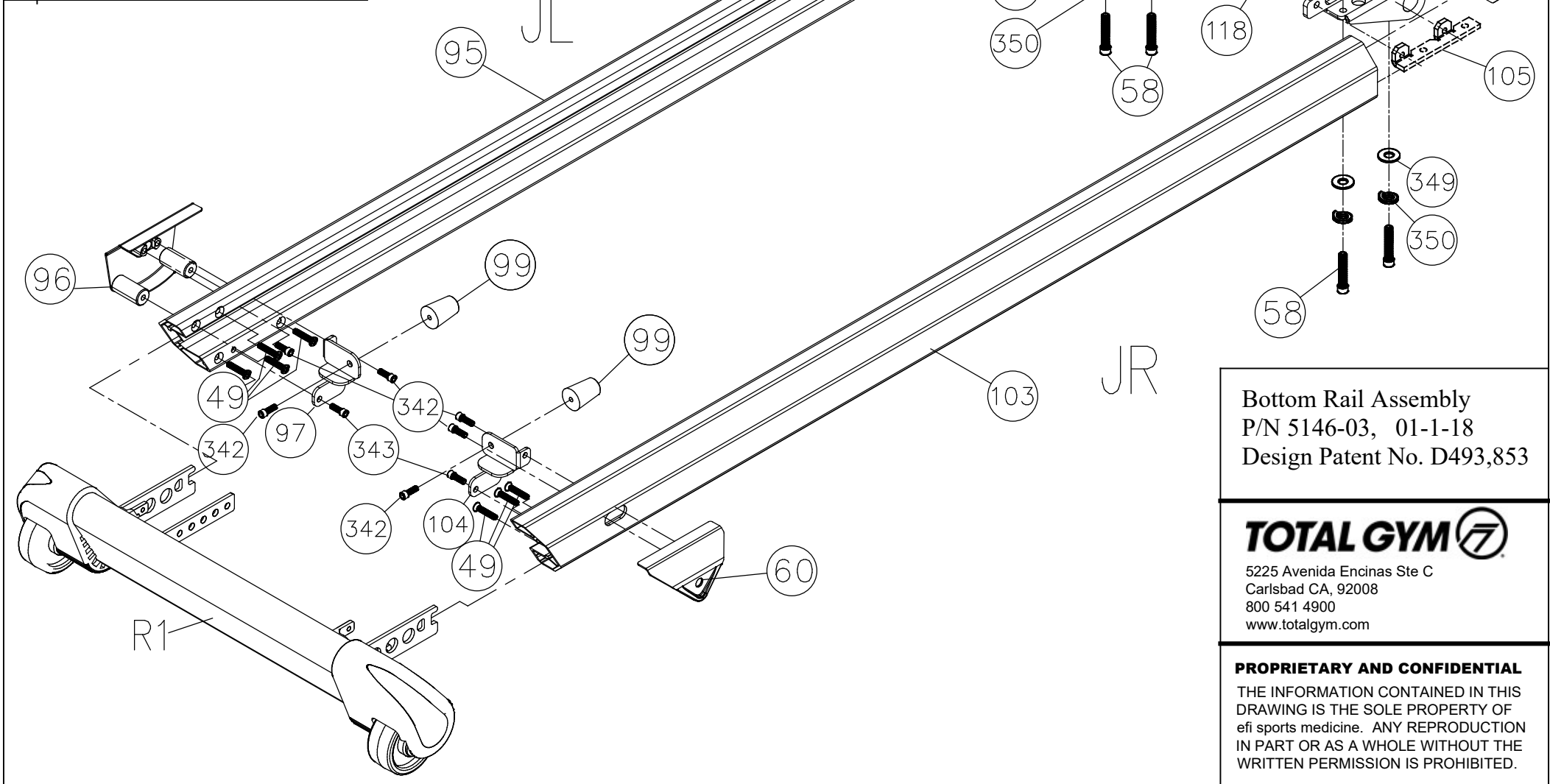
Beginning DK1247S00548  
DK1246G02494  
DK1246P00561

Rail Base Assembly  
P/N 5148-03, 01-1-18  
Design Patent No. D493,853



#	Description	P/N	Qty
75	B clip	5356-01	2
90	Rail Base Weldment	5320-03	1
92	Rubber Foot, rail base, left	5321-01	1
91	Rubber Foot, rail base, Right	5322-01	1
149	Wheel 76mm	5323-01	2
94	Washer, 13X25X2	5365-01	2

#	Description	TG p/n	Qty	#	Description	TG p/n	Qty
327	Screw BHCS M6x12 NP	5487-01	2	104	Rail Bumper Brkt, Right	5316-01	1
49	Screw FHCS M6x15 CP RN	5265-02	7	105	Plate, Hinge, Bottom, Right	5314-01	1
58	Screw SHCS M8x20 CP RN	5294-02	4	118	Screw SHCS M6x30 CP RN	5290-02	4
59	Rail End Plate, L	5306-01	1	342	Screw SHCS M6x15 CP RN	5439-01	6
60	Pin Protector Plate, 1 hole	5302-01	1	343	Screw SHCS M6x20 CP RN	5450-01	2
66	Rail End Plate, R	5307-01	1	349	Washer 8X16X1.5	5451-01	4
95	Rail AI Bottom, Left	5247-01	1	350	Washer M8 Split Lock	5452-01	4
96	Pin Protector Plate, 3 hole	5303-01	1	R	Rail Hinge Assembly	5147-02	1
97	Rail Bumper Brkt, Left	5315-01	1		Rail Base Assembly	5148-03	1
99	Bumper, Bottom Rail	5229-01	2				
102	Plate, Hinge, Bottom, Left	5313-01	1				
103	Rail AI Bottom, Right	5248-01	1				



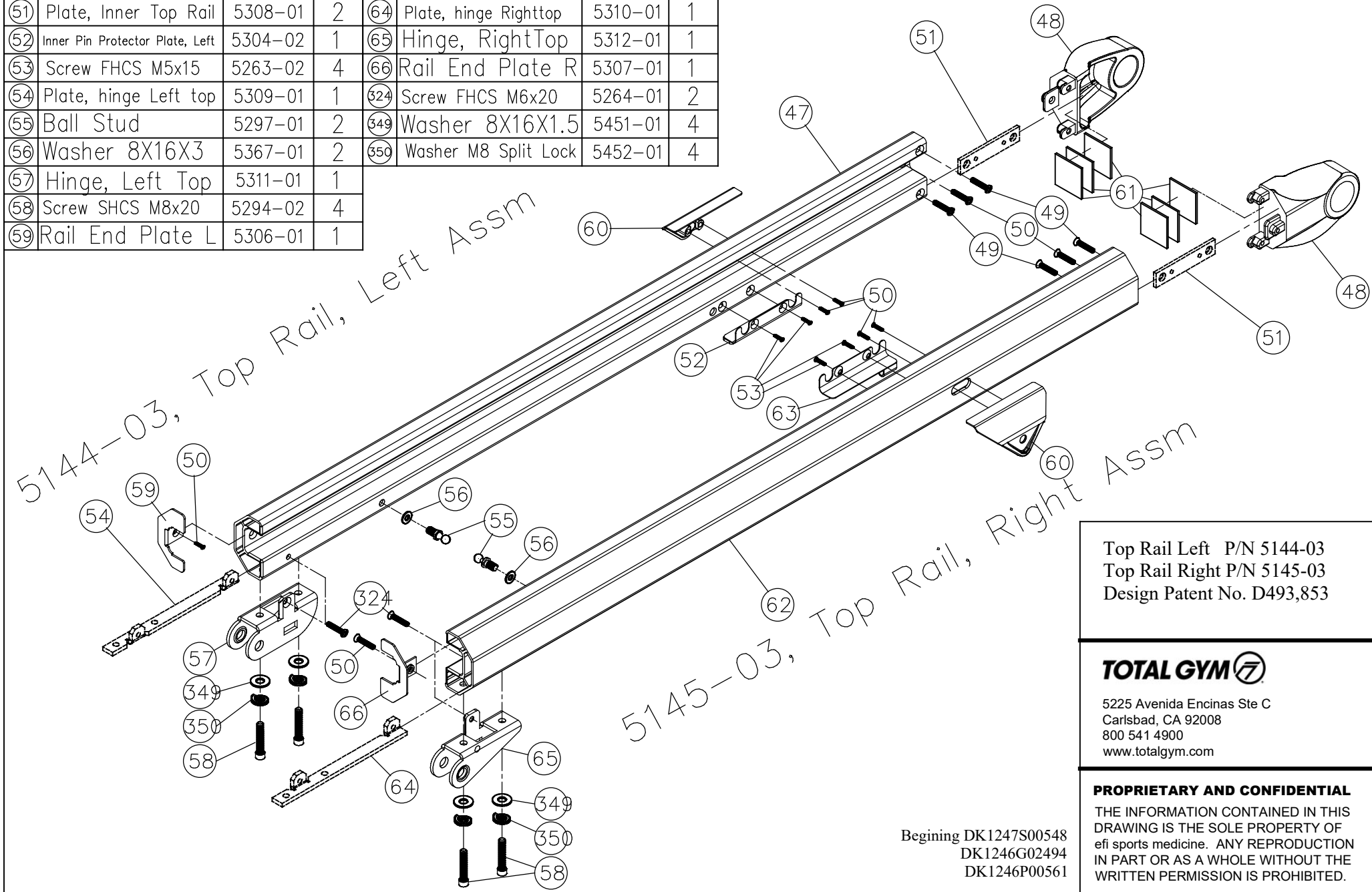
Bottom Rail Assembly  
P/N 5146-03, 01-1-18  
Design Patent No. D493,853

**TOTAL GYM** 

5225 Avenida Encinas Ste C  
Carlsbad CA, 92008  
800 541 4900  
www.totalgym.com

**PROPRIETARY AND CONFIDENTIAL**  
THE INFORMATION CONTAINED IN THIS DRAWING IS THE SOLE PROPERTY OF efi sports medicine. ANY REPRODUCTION IN PART OR AS A WHOLE WITHOUT THE WRITTEN PERMISSION IS PROHIBITED.

#	Description	TG p/n	Qty	#	Description	TG p/n	Qty
47	Rail AL Top, Left	5245-02	1	60	Pin Protector Plate, 1 hole	5302-01	2
48	Rail AL Shoulder	5249-02	2	61	Top Rail Bumper 33X25X10t	5228-01	6
49	Screw FHCS M6x15	5265-02	4	62	Rail AL Top, Right	5246-02	1
50	Screw FHCS M6x12	5266-02	8	63	Inner Pin Protector Plate, Right	5305-02	1
51	Plate, Inner Top Rail	5308-01	2	64	Plate, hinge Righttop	5310-01	1
52	Inner Pin Protector Plate, Left	5304-02	1	65	Hinge, RightTop	5312-01	1
53	Screw FHCS M5x15	5263-02	4	66	Rail End Plate R	5307-01	1
54	Plate, hinge Left top	5309-01	1	324	Screw FHCS M6x20	5264-01	2
55	Ball Stud	5297-01	2	349	Washer 8X16X1.5	5451-01	4
56	Washer 8X16X3	5367-01	2	350	Washer M8 Split Lock	5452-01	4
57	Hinge, Left Top	5311-01	1				
58	Screw SHCS M8x20	5294-02	4				
59	Rail End Plate L	5306-01	1				



Top Rail Left P/N 5144-03  
 Top Rail Right P/N 5145-03  
 Design Patent No. D493,853

**TOTAL GYM** 

5225 Avenida Encinas Ste C  
 Carlsbad, CA 92008  
 800 541 4900  
 www.totalgym.com

**PROPRIETARY AND CONFIDENTIAL**

THE INFORMATION CONTAINED IN THIS DRAWING IS THE SOLE PROPERTY OF efi sports medicine. ANY REPRODUCTION IN PART OR AS A WHOLE WITHOUT THE WRITTEN PERMISSION IS PROHIBITED.

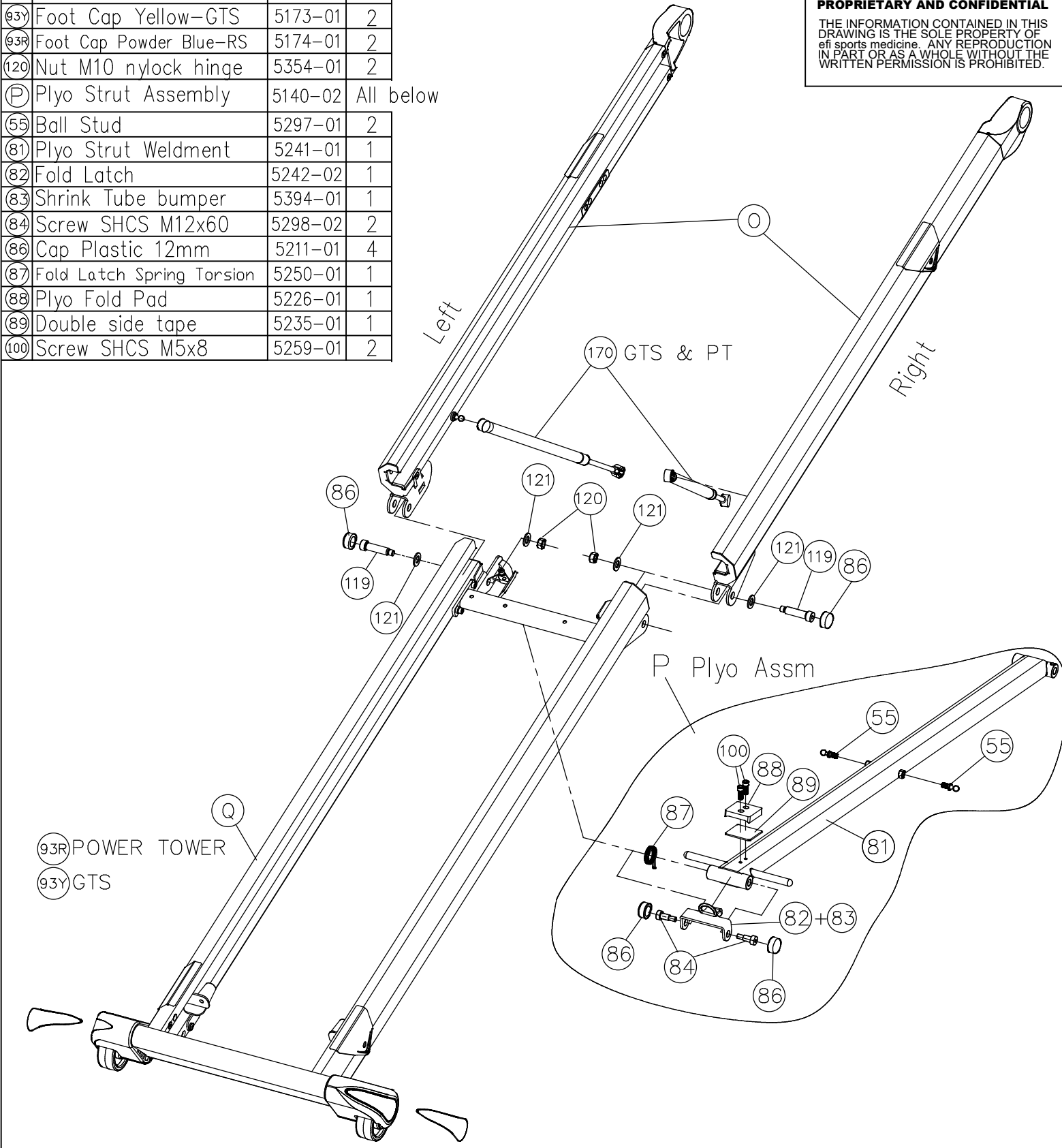
Beginning DK1247S00548  
 DK1246G02494  
 DK1246P00561

#	Description	P/N	QTY
93L	Top Rail, Left	5144-03	1
93R	Top Rail, Right	5145-03	1
Q	Bottom Rail Assm	5146-03	1
119	Shoulder Bolt-hinge	5296-01	2
121	Washer 13.3x26x3.0t	5368-01	4
170	Gas Spring 450N	5171-02	2
93Y	Foot Cap Yellow-GTS	5173-01	2
93R	Foot Cap Powder Blue-RS	5174-01	2
120	Nut M10 nylock hinge	5354-01	2
P	Plyo Strut Assembly	5140-02	All below
55	Ball Stud	5297-01	2
81	Plyo Strut Weldment	5241-01	1
82	Fold Latch	5242-02	1
83	Shrink Tube bumper	5394-01	1
84	Screw SHCS M12x60	5298-02	2
86	Cap Plastic 12mm	5211-01	4
87	Fold Latch Spring Torsion	5250-01	1
88	Plyo Fold Pad	5226-01	1
89	Double side tape	5235-01	1
100	Screw SHCS M5x8	5259-01	2

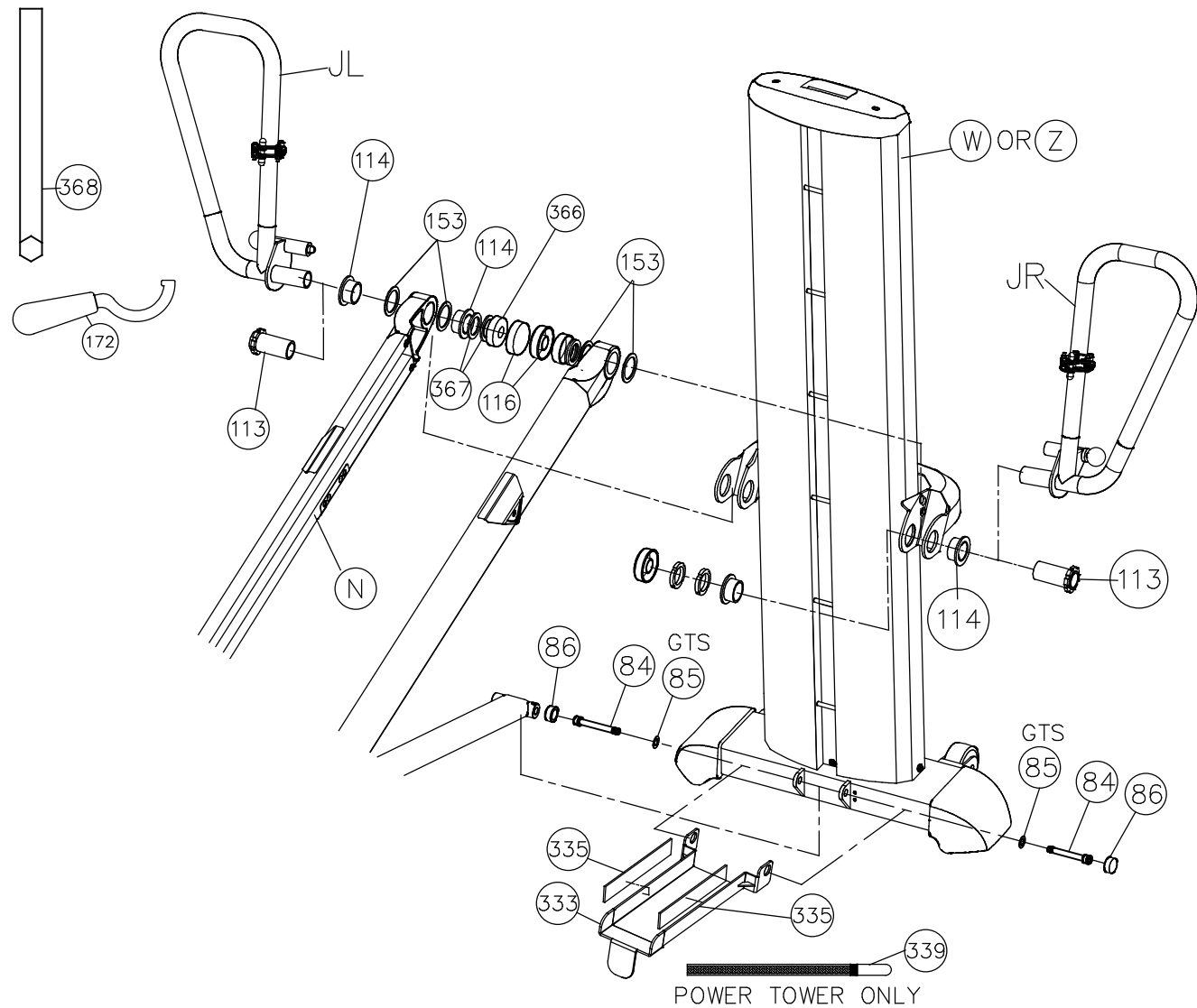
Rail Set Assembly, 01-1-18  
GTS p/n 5142-03,  
PT p/n 5143-03,  
Design Patent No. D493,853

**TOTAL GYM**   
5225 Avenida Encinas Ste C  
Carlsbad CA, 92008  
800 541 4900  
www.totalgym.com

**PROPRIETARY AND CONFIDENTIAL**  
THE INFORMATION CONTAINED IN THIS DRAWING IS THE SOLE PROPERTY OF efi sports medicine. ANY REPRODUCTION IN PART OR AS A WHOLE WITHOUT THE WRITTEN PERMISSION IS PROHIBITED.



Description	P/N	QTY	
		G	P
(JL) Lat Bar Left Asm	5137-02	1	1
(JR) Lat Bar Right Asm	5138-02	1	1
(77) U Ring	5166-01		
(78) Screw SHCS M6x40	5260-01		
(79) Nut M6 Nylock	5353-01		
(84) Screw SHCS M12x55	5299-01	2	2
(85) Washer 13X2	5373-01	2	
(86) Cap, Plastic 17	5211-02	2	2
(113) Rail Sleeve	5239-01	2	2
(114) Flange Bushing	5237-01	4	4
(115) Spanner Nut	5240-01		
(116) CAP Plastic 31	5212-02	4	4
(153) Thrust Washer	5238-01	4	4
(172) Spanner Wrench	5236-01	2	2
(333) Fold Spreader	5461-01		1
(335) Foam 160X15X2.0	5462-01		2
(339) Strap Velcro	5463-01		1
(366) LAT Bar Disc Nut	5473-01	2	2
(367) LAT Bar Disc Washer	5474-01	4	4
(368) LAT Nut Hex Wrench	5475-01	1	1
(W) Tower: GTS	5159-02	1	1
(Z) Tower: Power Tower	5160-02	1	1
(N) Rail Set:	G:5142-03, P:5143-03		



## Encompass- ELEVATE AND RECOVERY SERIES

LAT Hex Wrench, Spanner Wrench & Rail Sleeve are only Included for shipping & assembly on GTS & PT. They can be discarded when the LAT bars are installed.

RAIL & PULLEYS Attachment, 01-1-18  
Encompass GTS & Power Tower  
Design Patent No. D493,853

**TOTAL GYM** 

5225 Avenida Encinas Ste C  
Carlsbad CA, 92008  
800 541 4900  
www.totalgym.com

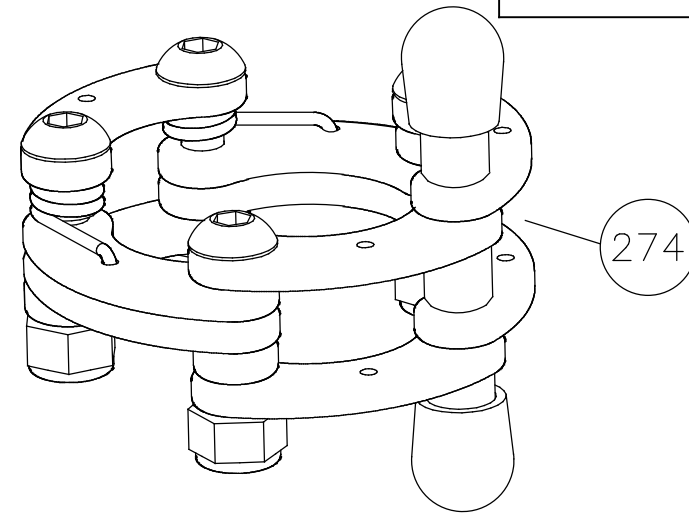
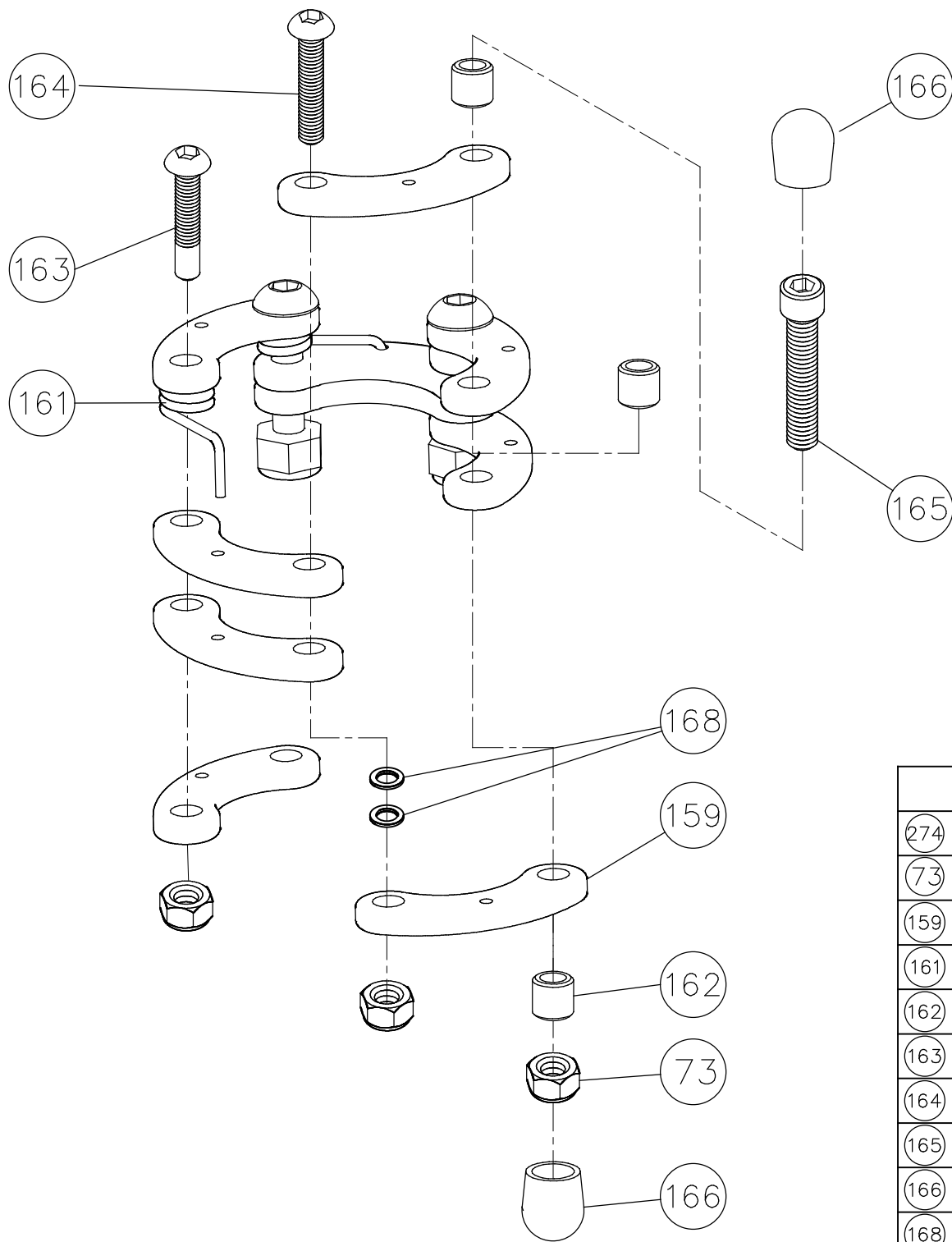
**PROPRIETARY AND CONFIDENTIAL**

THE INFORMATION CONTAINED IN THIS DRAWING IS THE SOLE PROPERTY OF efi sports medicine. ANY REPRODUCTION IN PART OR AS A WHOLE WITHOUT THE WRITTEN PERMISSION IS PROHIBITED.

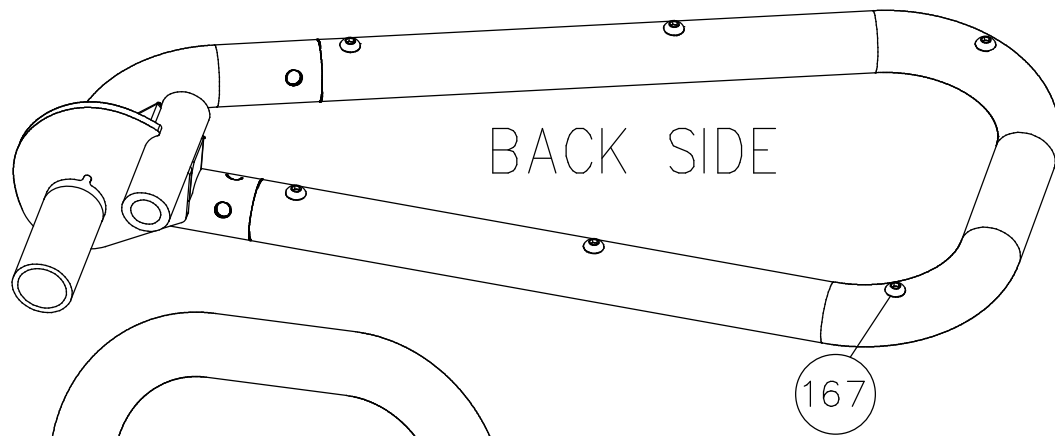
LAT Pulley Clamp  
 Exploded Assembly Drawing  
 P/N 5136-02, 01-1-18  
 Design Patent No. D493,853

**TOTAL GYM**   
 5225 Avenida Encinas Ste C  
 Carlsbad CA, 92008  
 800 541 4900  
 www.totalgym.com

**PROPRIETARY AND CONFIDENTIAL**  
 THE INFORMATION CONTAINED IN THIS  
 DRAWING IS THE SOLE PROPERTY OF  
 efi sports medicine. ANY REPRODUCTION  
 IN PART OR AS A WHOLE WITHOUT THE  
 WRITTEN PERMISSION IS PROHIBITED.



	Description	QTY	TG PN
274	LAT Pulley Clamp set	1	5136-02
73	Nut M5	5	5348-01
159	Clamp Link w/ hole	10	5329-01
161	Spring, Torsion, LAT Clamp	1	5467-01
162	Spacer, M5 x 10	3	5358-01
163	Screw M5x30-10 BHCS Chrome	2	5277-02
164	Screw M5x25 BHCS Chrome	2	5276-01
165	Screw M5x45 SHCS	1	5278-01
166	Finger Grip cap	2	5231-02
168	Washer Flat M5x10x2	4	5370-01



	Description	P/N	QTY
(274)	Lat Pulley Clamp	5136-02	2
(154)	Left Lat Bar	5243-01	1
(155)	Right Lat Bar	5244-01	1
(156)	Rubber Tube	5227-01	2
(157)	PULL PIN, LATs	5223-01	2
(167)	Screw M6X20 Tapper Hd	5285-01	12
(263)	LAT Collar	5163-01	8
(264)	Seam 5x15 Thread Cut	5280-01	8

Left

JL

(154)

(274)

(274)

(155)

JR

Right

(263)

(264)

(156)

(157)

(264)

(263)

LAT Bar Assemblies, 01-1-18  
 Left P/N 5137-02  
 Right P/N 5138-02  
 Design Patent No. D493,853

**TOTAL GYM** 

5225 Avenida Encinas Ste C  
 Carlsbad CA, 92008  
 800 541 4900  
 www.totalgym.com

**PROPRIETARY AND CONFIDENTIAL**

THE INFORMATION CONTAINED IN THIS DRAWING IS THE SOLE PROPERTY OF efi sports medicine. ANY REPRODUCTION IN PART OR AS A WHOLE WITHOUT THE WRITTEN PERMISSION IS PROHIBITED.

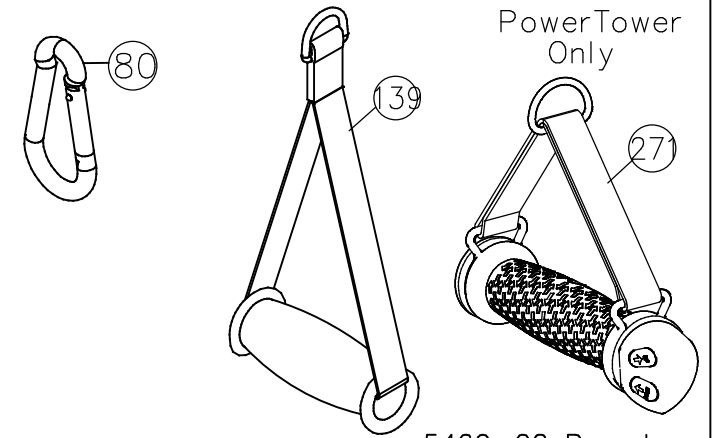
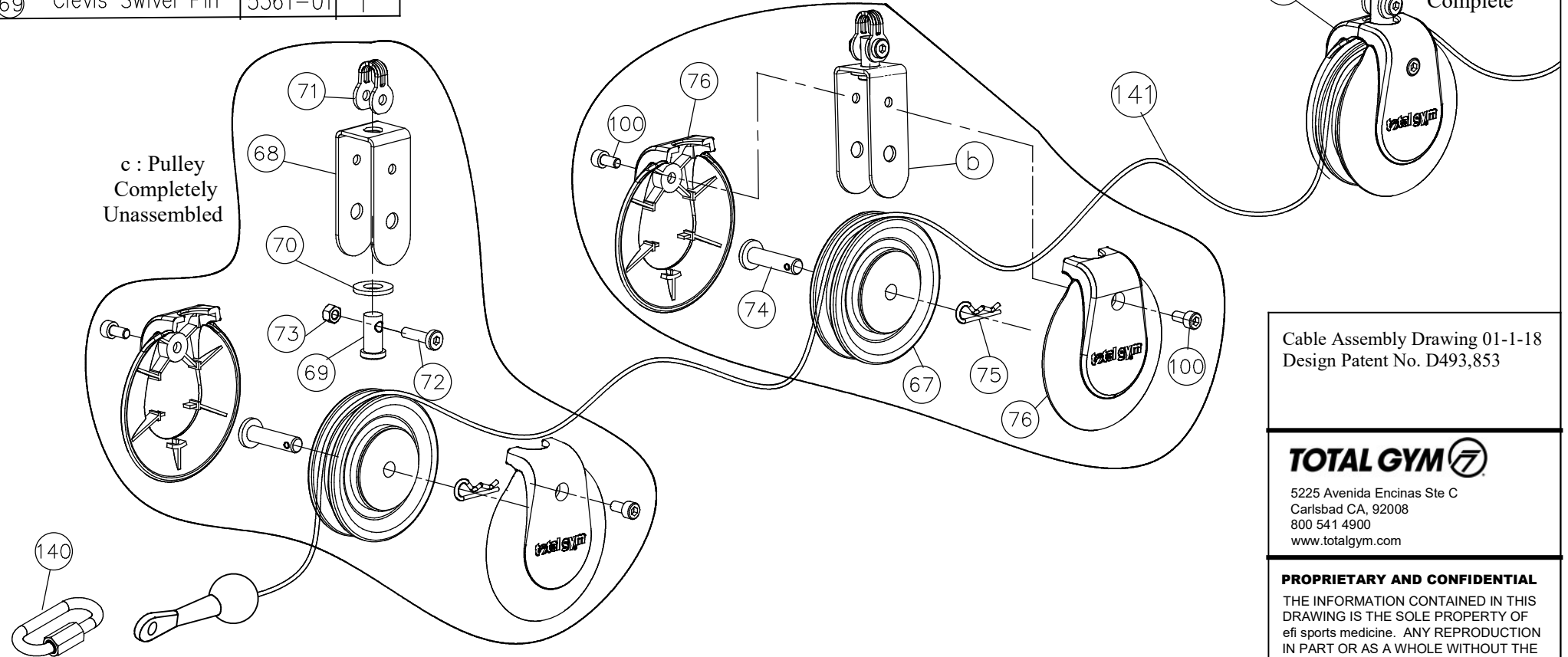
Description	P/N	QTY	Description	P/N	QTY
Ⓐ Pulley Set PGS includes the 11 following parts	5201-01	3	Ⓐ Cable: Sport 96"	5196-01	1
			Ⓐ Cable: PG 103"	5197-01	
Ⓐ Screw SHCS M5x8 Black	5259-01	2	Ⓐ Snap Link	5397-01	1
Ⓐ Pulley Wheel	-	1	Ⓐ U Ring	5166-01	1
Ⓐ B Clip	5356-01	1	Ⓐ Threaded Quick Link	5396-01	2
Ⓐ Clevis Pin axle	5362-01	1	Ⓐ Handle	5128-02	2
Ⓐ Pulley Cover	5214-01	2	Ⓐ Remote Control Handle	5129-02	2

Ⓒ Pulley Frame Assm Parts

Ⓒ Washer M10x2	-	1
Ⓒ Clevis Link	-	1
Ⓒ Screw M5	-	1
Ⓒ Pulley Frame	-	1
Ⓒ Nut M5 Nylock	5348-01	1
Ⓒ Clevis Swivel Pin	5361-01	1

The Pulley is sold as "a" but come partially assembled as "b".  
There is no service for parts disassembled as "c".

b : Pulley  
Partially  
Assembled



5469-02 Remote Control handle Top (Green)

a : Pulley Assembled Complete

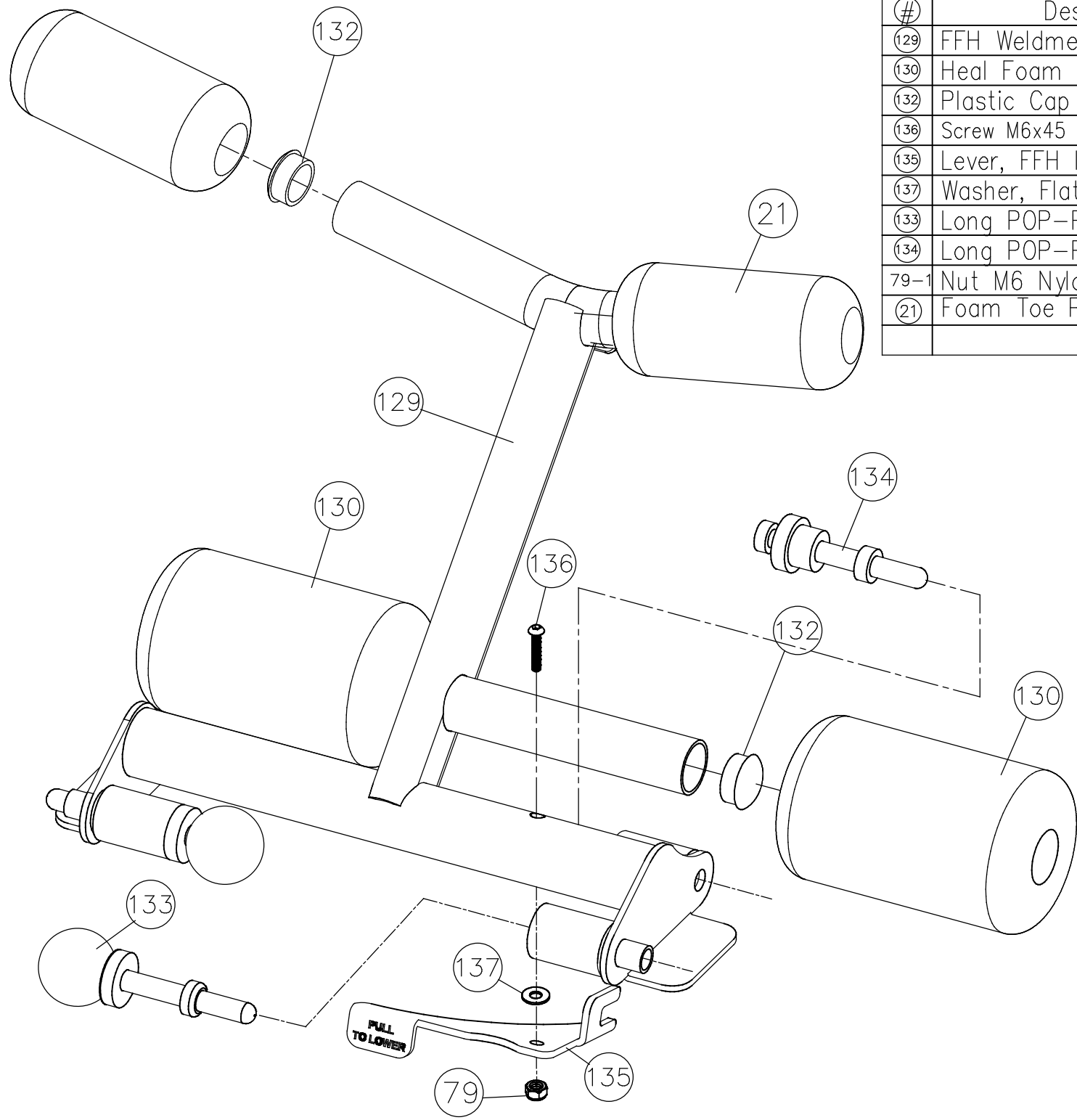
Cable Assembly Drawing 01-1-18  
Design Patent No. D493,853



5225 Avenida Encinas Ste C  
Carlsbad CA, 92008  
800 541 4900  
www.totalgym.com

**PROPRIETARY AND CONFIDENTIAL**  
THE INFORMATION CONTAINED IN THIS DRAWING IS THE SOLE PROPERTY OF efi sports medicine. ANY REPRODUCTION IN PART OR AS A WHOLE WITHOUT THE WRITTEN PERMISSION IS PROHIBITED.

#	Description	P/N	QTY
(129)	FFH Weldment -1mm	5215-02	1
(130)	Heal Foam	5216-01	2
(132)	Plastic Cap 1" Rnd	5210-01	4
(136)	Screw M6x45 BHCS Black	5270-01	1
(135)	Lever, FFH lower	5219-01	1
(137)	Washer, Flat 6x12x1	5371-01	1
(133)	Long POP-PIN +3mm	5221-02	2
(134)	Long POP-PIN no ball +3	5222-02	1
79-1	Nut M6 Nylock, Black	5352-01	1
(21)	Foam Toe Pad	5224-01	2

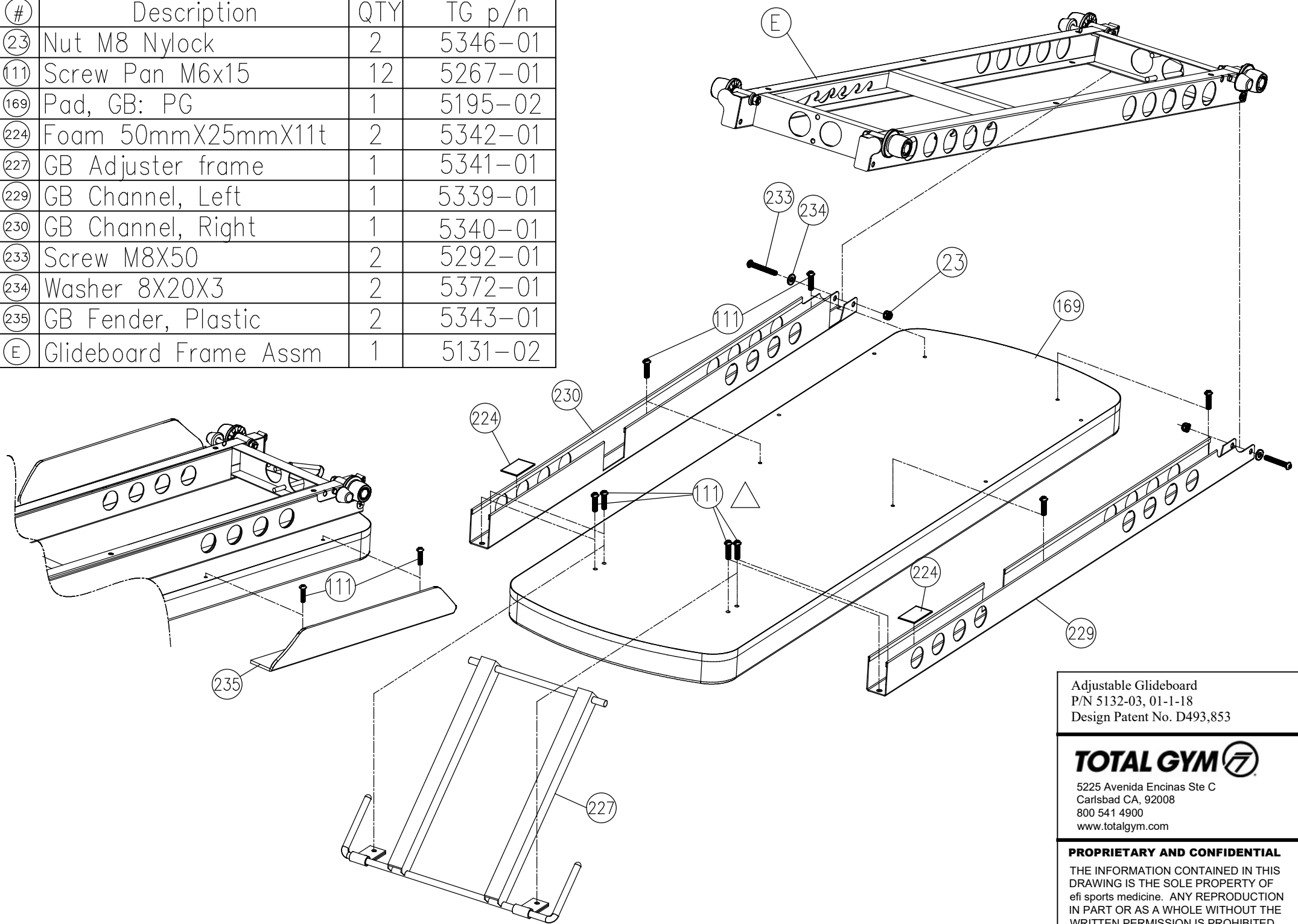


Folding Foot Holder  
Exploded Assembly Drawing  
P/N 5112-02, 01-1-2018  
Design Patent No. D493,853


**TOTAL GYM**   
5225 Avenida Encinas Ste C  
Carlsbad CA, 92008  
800 541 4900  
www.totalgym.com

**PROPRIETARY AND CONFIDENTIAL**  
THE INFORMATION CONTAINED IN THIS  
DRAWING IS THE SOLE PROPERTY OF  
efi sports medicine. ANY REPRODUCTION  
IN PART OR AS A WHOLE WITHOUT THE  
WRITTEN PERMISSION IS PROHIBITED.

#	Description	QTY	TG p/n
23	Nut M8 Nylock	2	5346-01
111	Screw Pan M6x15	12	5267-01
169	Pad, GB: PG	1	5195-02
224	Foam 50mmX25mmX11t	2	5342-01
227	GB Adjuster frame	1	5341-01
229	GB Channel, Left	1	5339-01
230	GB Channel, Right	1	5340-01
233	Screw M8X50	2	5292-01
234	Washer 8X20X3	2	5372-01
235	GB Fender, Plastic	2	5343-01
E	Glideboard Frame Assm	1	5131-02



Adjustable Glideboard  
P/N 5132-03, 01-1-18  
Design Patent No. D493,853

**TOTAL GYM** 

5225 Avenida Encinas Ste C  
Carlsbad CA, 92008  
800 541 4900  
www.totalgym.com

**PROPRIETARY AND CONFIDENTIAL**

THE INFORMATION CONTAINED IN THIS DRAWING IS THE SOLE PROPERTY OF efi sports medicine. ANY REPRODUCTION IN PART OR AS A WHOLE WITHOUT THE WRITTEN PERMISSION IS PROHIBITED.

#	Description	P/N	QTY
26	Fork Weldment	5208-02	1
27	Cap, Plastic oval	5209-01	4
28	POP-PIN	5220-01	2
39	Sleeve, Plastic	5202-02	2
40	Set Screw M6X10 SHSS	5268-01	2

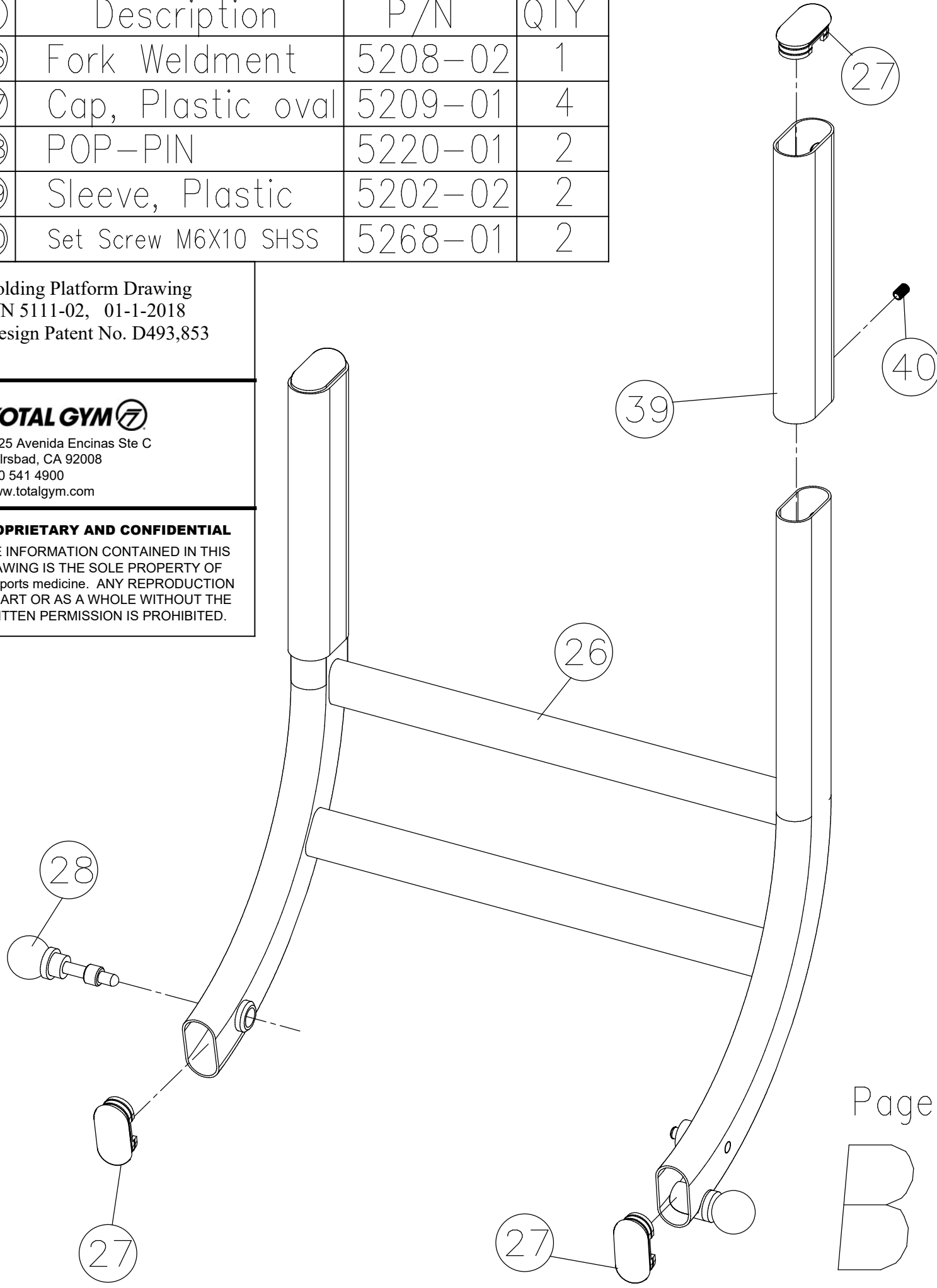
Folding Platform Drawing  
P/N 5111-02, 01-1-2018  
Design Patent No. D493,853



5225 Avenida Encinas Ste C  
Carlsbad, CA 92008  
800 541 4900  
www.totalgym.com

**PROPRIETARY AND CONFIDENTIAL**

THE INFORMATION CONTAINED IN THIS DRAWING IS THE SOLE PROPERTY OF efi sports medicine. ANY REPRODUCTION IN PART OR AS A WHOLE WITHOUT THE WRITTEN PERMISSION IS PROHIBITED.



Page

B