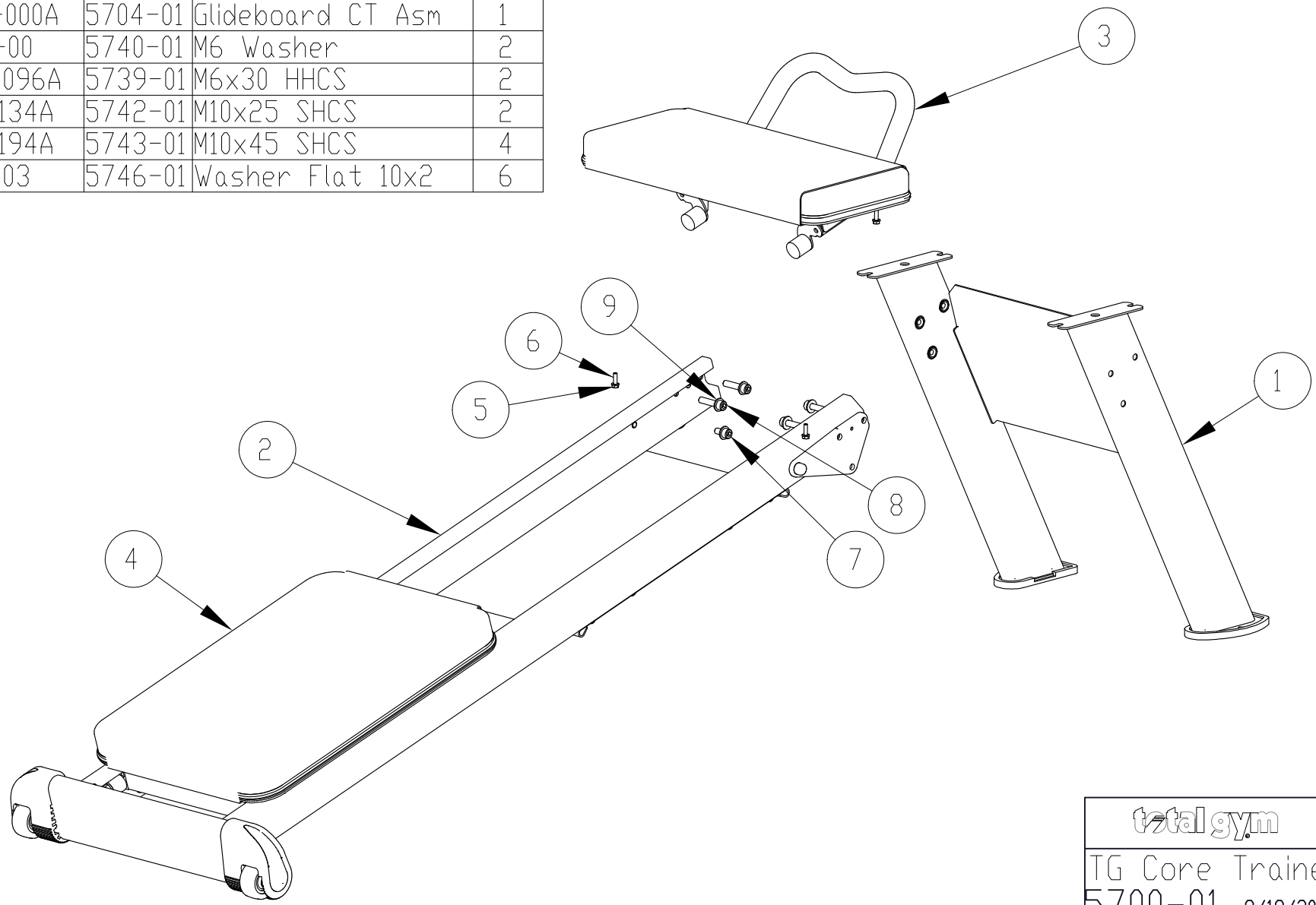


ITEM NO.	PART NUMBER	TG P/N	DESCRIPTION	QTY.
1	362-4-1000-000A	5702-01	Strut Frame	1
2	RailAssembly	5701-01	Rail CT Assembly	1
3	362-4-1200-000A	5703-01	Scrunch CT Asm	1
4	362-4-1600-000A	5704-01	Glideboard CT Asm	1
5	603-3-0066-00	5740-01	M6 Washer	2
6	653-1-0060-096A	5739-01	M6x30 HHCS	2
7	649-1-0100-134A	5742-01	M10x25 SHCS	2
8	649-1-0100-194A	5743-01	M10x45 SHCS	4
9	603-3-0105-03	5746-01	Washer Flat 10x2	6



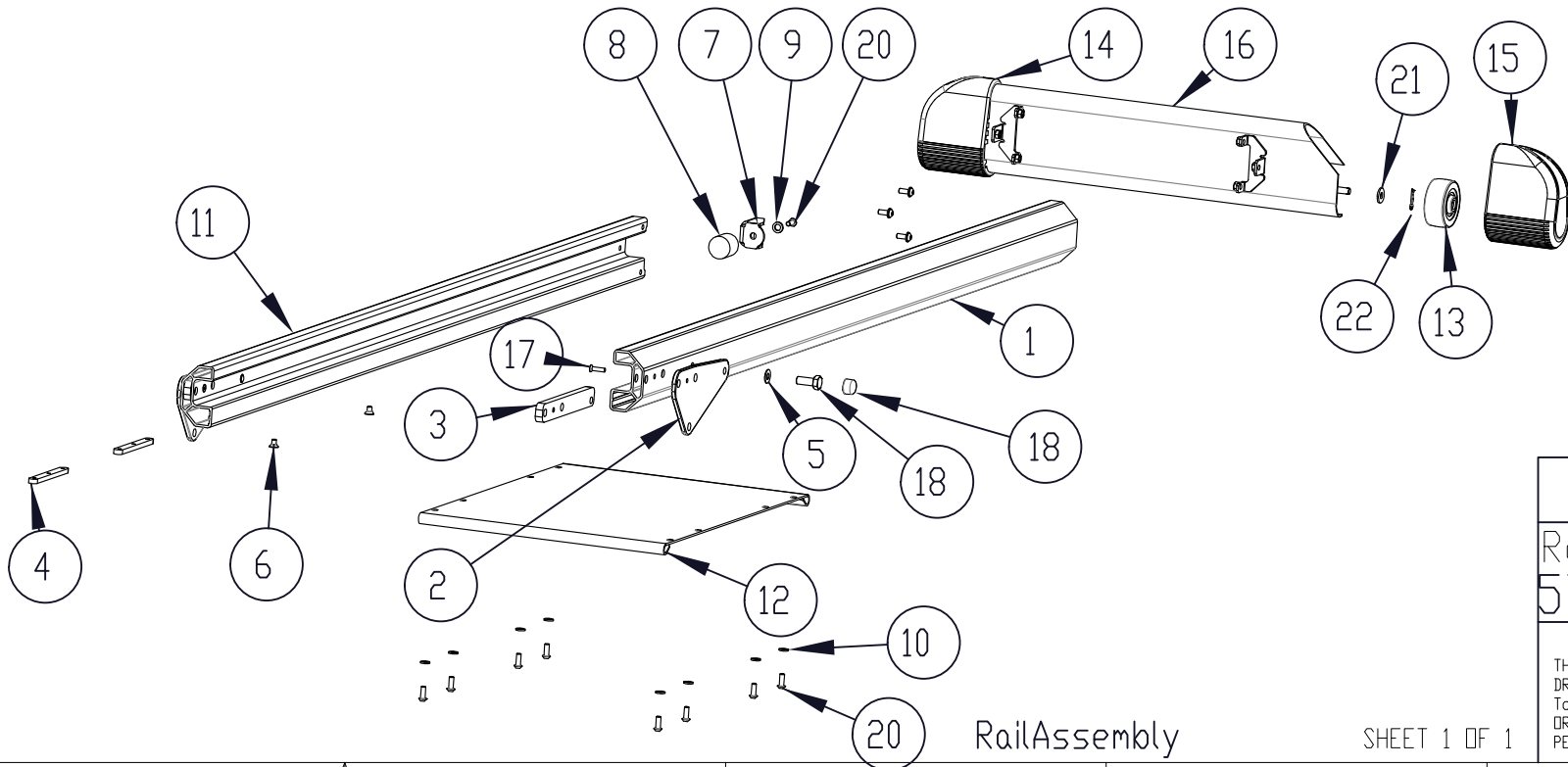
total gym

TG Core Trainer
5700-01 8/19/2015

PROPRIETARY AND CONFIDENTIAL
THE INFORMATION CONTAINED IN THIS
DRAWING IS THE SOLE PROPERTY OF
Total Gym. ANY REPRODUCTION IN PART
OR AS A WHOLE WITHOUT THE WRITTEN
PERMISSION OF Total Gym IS PROHIBITED.

5 4 3 2 1

ITEM NO.	PART NUMBER	TG P/N	DESCRIPTION	QTY.	ITEM NO.	PART NUMBER	TG P/N	DESCRIPTION	QTY.
1	362-6-1900-000B	5713-01	Left Rail CT	1	15	362-6-1505-000A	5321-01	Rubber Foot left rail base: + Black 5165-01	1
2	362-6-1901-000B	5714-01	Strut Gusset	2	16	362-3-1500-000A	5733-01	Rail Base CT welmt	
3	362-6-1902-000B	5715-01	Rail Insert Bar	2	17	658-1-0050-114A	5717-01	Screw, M5x20 FHMS	2
4	362-6-1903-000A	5716-01	Rail Insert, Placard	4	18	Hex Cap Screw_M10x25	5745-01	M10x25 HHCS	2
5	603-3-0085-01	5718-01	Washer Flat M10x1.2	2	19	Rnd Gray Plastic 10 Hex bolt cap	5211-02	Cap, Rnd 17 OD Plastic Gray	2
6	658-1-0060-06	5720-01	M6x16 FHCS	4	20	659-1-0060-374A	5719-01	M6x10BHCS	16
7	362-6-2000-000A	5723-01	Rail Bumper Brkt	2	21	603-3-0083-01	5726-01	Washer Flat 8x2	4
8	362-6-1400-001A	5724-01	Rubber Bumper 30Rx30L,F	2	22	602-4-0800-002A	5721-01	Bclip CT 1.5 dia R	2
9	603-3-0084-01	5725-01	M8 Flat Washer	2					
10	603-3-0064-014A	5727-01	Washer, Flat M6	14					
11	362-6-1905-000B	5730-01	Right Rail CT	1					
12	362-6-2100-000A	5731-01	Placard Panel	1					
13	362-6-1503-000A	5019-01	Wheel, Back Rubber 63x35x8	2					
14	362-6-1504-000A	5322-02	Rubber Foot right rail base: +Black 5165-01	1					

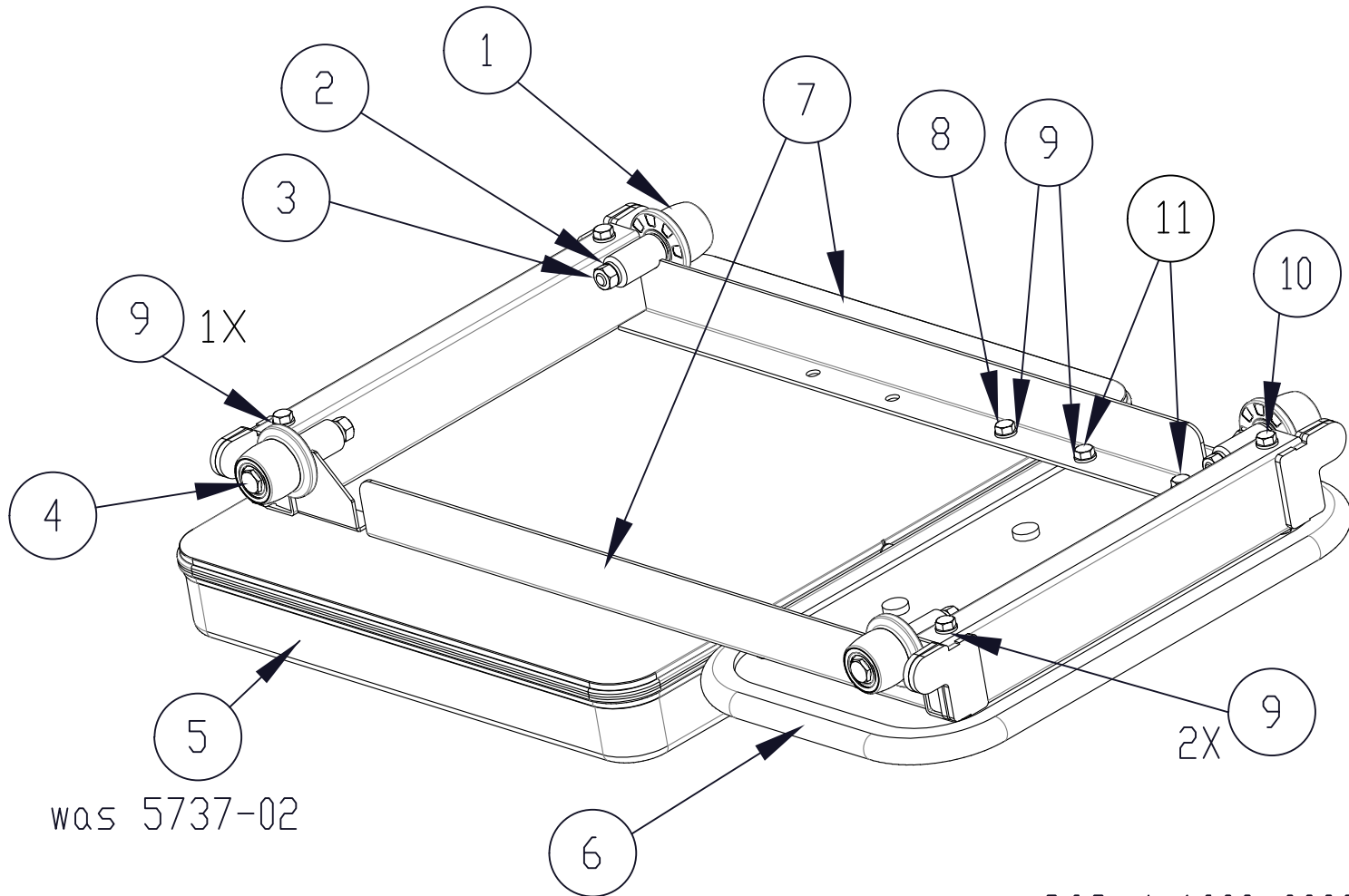


total gym

Rail CT Assembly
5701-01 8/19/2015

PROPRIETARY AND CONFIDENTIAL
THE INFORMATION CONTAINED IN THIS
DRAWING IS THE SOLE PROPERTY OF
Total Gym. ANY REPRODUCTION IN PART
OR AS A WHOLE WITHOUT THE WRITTEN
PERMISSION OF Total Gym IS PROHIBITED.

ITEM #	Alt #	TG P/N	DESCRIPTION	QTY.
1	362-6-1800-000A	5218-02	GB Roller, UPGRADE	4
2	603-3-0084-01	5725-01	M8 Flat Washer	4
3	661-2-0080-03	5346-01	Nut M8 Nylock	4
4	362-6-1802-001A	5338-01	GB Roller Axle M8x75 Black	4
5	362-6-1600-000A	5734-01	Small GB Pad, CT	1
6	363-6-1601-140	5971-01	SBR Plate, CT	1
7	362-3-1700-000A	5738-02	GB CT L Frame	2
8	653-1-0060-096A	5739-01	M6x30 HHCS	6
9	603-3-0066-00	5740-01	M6 Washer	12
10	653-1-0060-226 A	5744-01	M6x65 HHCS	4
11	NEED PART NO	5972-01	M6x10 HHCS	3



was 5737-02

362-4-1600-000C

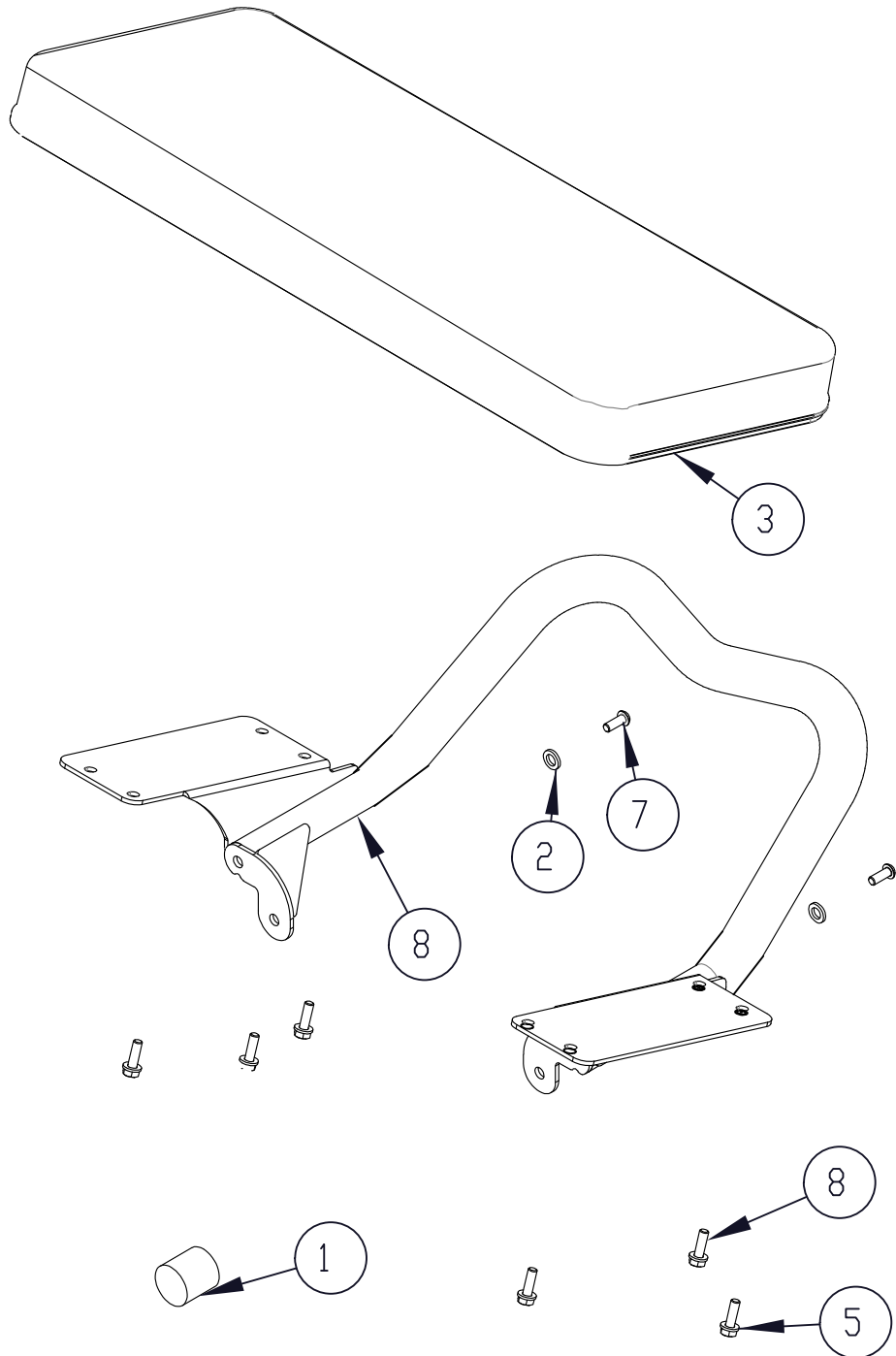
total gym

Glideboard CT Assy.

5704-02 10/14/2015

PROPRIETARY AND CONFIDENTIAL
 THE INFORMATION CONTAINED IN THIS
 DRAWING IS THE SOLE PROPERTY OF
 Total Gym. ANY REPRODUCTION IN PART
 OR AS A WHOLE WITHOUT THE WRITTEN
 PERMISSION OF Total Gym IS PROHIBITED.

ITEM NO.	PART NUMBER	TG P/N	DESCRIPTION	QTY.
1	362-6-1400-001A	5724-01	Rubber Bumper 30Rx30L,F	2
2	603-3-0084-01	5725-01	M8 Flat Washer	2
3	362-6-1300-000A	5747-04	Scrunch Pad CT	1
5	603-3-0066-00	5740-01	M6 Washer	6
6	362-3-1200-100A	5735-01	Scrunch CT Weldmt	1
7	659-1-0060-374A	5719-01	M6x10BHCS	2
8	653-1-0060-096A	5739-01	M6x30 HHCS	6



total gym

Scrunch CT Asm
5703-01 9/1/2015

PROPRIETARY AND CONFIDENTIAL
THE INFORMATION CONTAINED IN THIS
DRAWING IS THE SOLE PROPERTY OF
Total Gym. ANY REPRODUCTION IN PART
OR AS A WHOLE WITHOUT THE WRITTEN
PERMISSION OF Total Gym IS PROHIBITED.

362-4-1200-000A

SHEET 1 OF 1

5

↑

4

|

3

2

|

1