

Total Gym Row Trainer

Date: 6/15/16 Part # 7400-x1

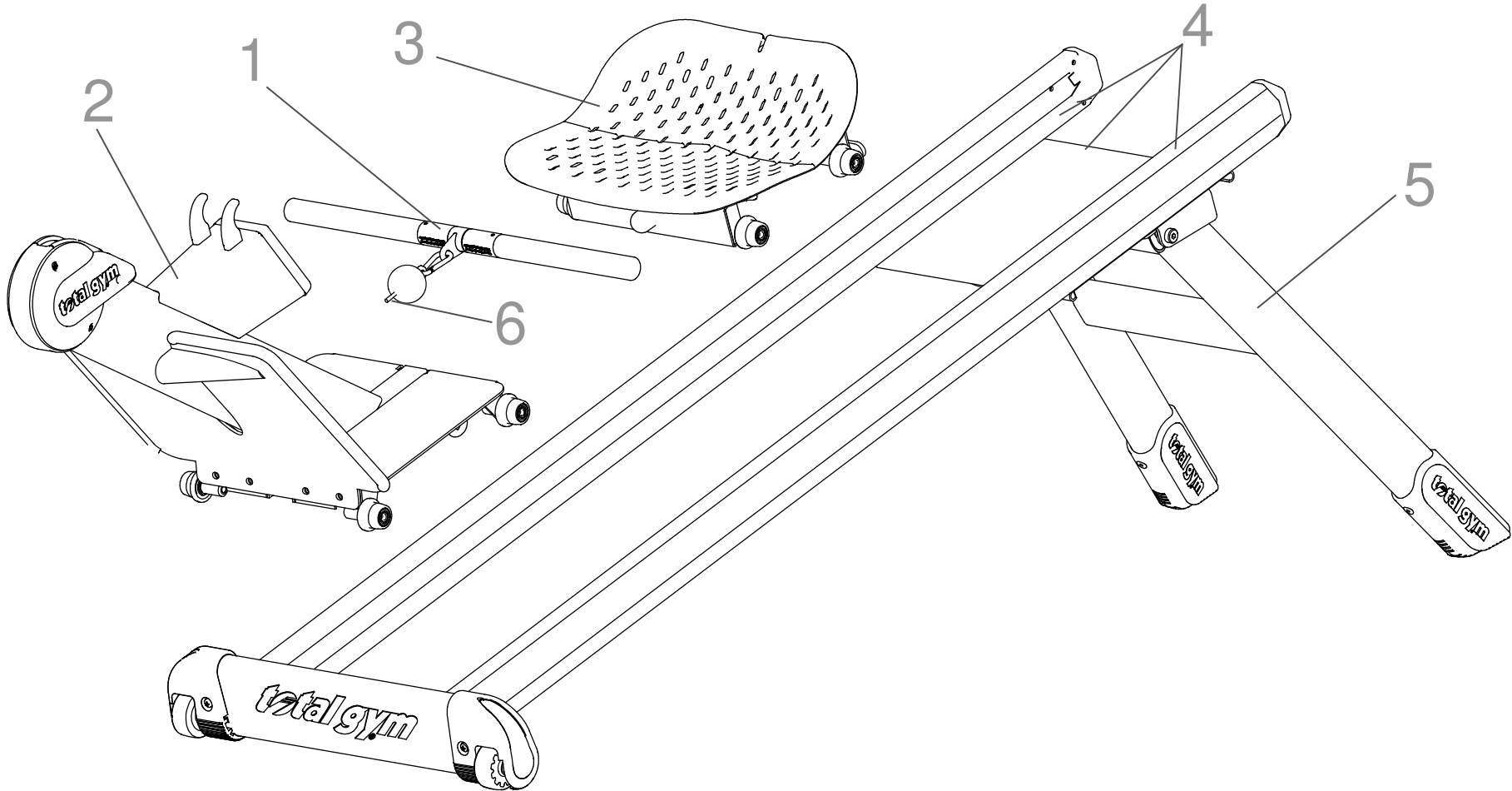
PROPRIETARY AND CONFIDENTIAL

total gym

THE INFORMATION CONTAINED IN THIS DRAWING IS THE SOLE PROPERTY OF efi sports medicine. ANY REPRODUCTION IN PART OR AS A WHOLE WITHOUT THE WRITTEN PERMISSION IS PROHIBITED.

7755 Arjons Drive,
San Diego, CA 92126
858 586 6080
www.totalgym.com

Page 1



No.	TG Description	TG P/N	Qty	Alt
1	Handle Assembly, RT	7419-01	1	EVS ?
2	Mast Assembly	7426-01	1	EVS ?
3	SeatGlider	7403-01	1	EVS ?
4	RailSetRow	7405-01	1	EVS ?
5	Row Leg Frame	7413-01	1	EVS ?
6	Cable, Main	7420-01	1	EVS ?

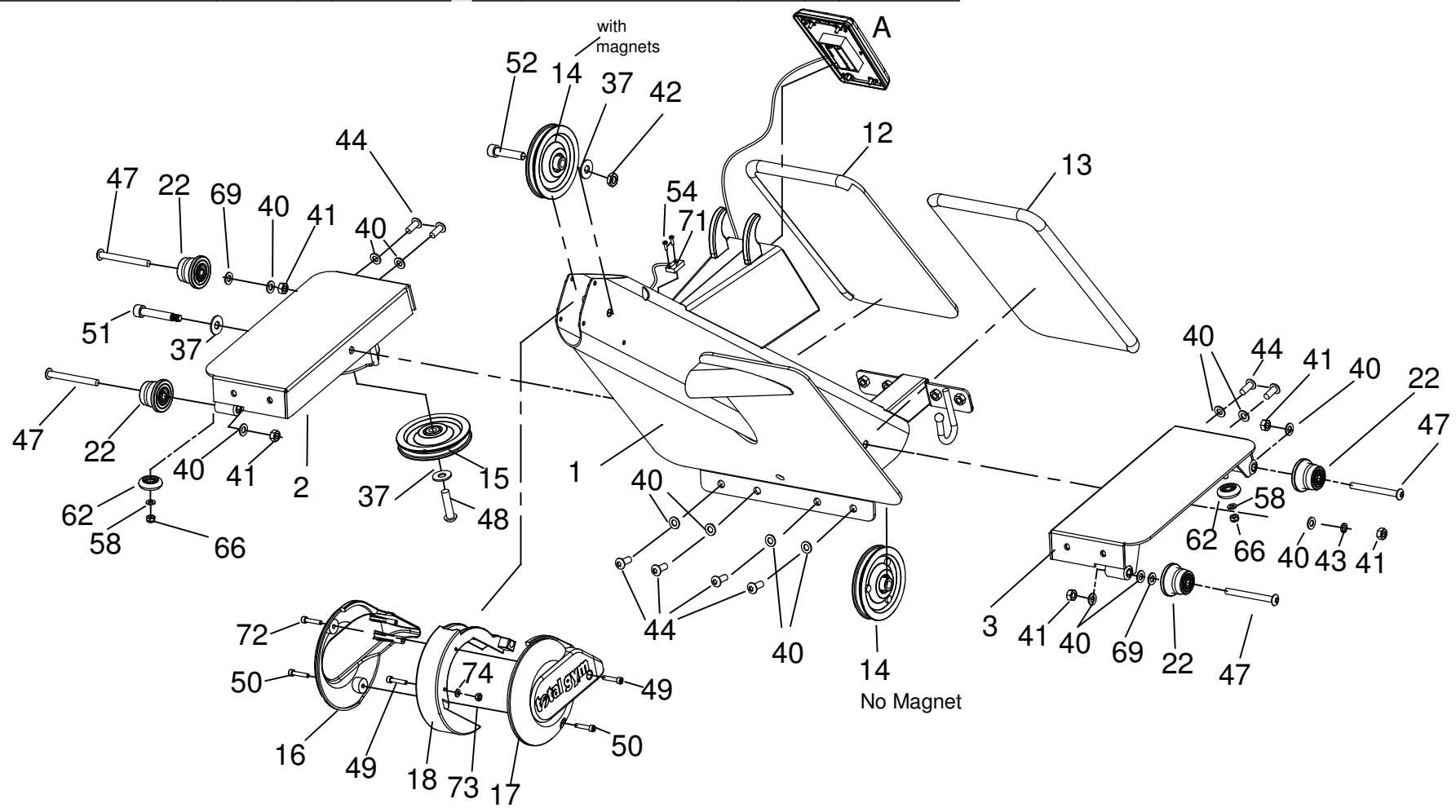
No.	TG Description	TG P/N	Qty	Alt	No.	TG Description	TG P/N	Qty	Alt
1	Foot-Mast_Weldment	7427-01	1	EVS?	15	pulley82, narrow sleeve	7360-01	1	RM660-881-026
2	LeftPan weldment	7423-01	1	EVS?	16	MainPulleyShroudLeft	7429-01	1	RM660-881-002
3	RightPanWeldment	7425-01	1	EVS?	17	MainPulleyShroudRight	7430-01	1	RM660-881-001
12	RowFootPad, Right	7432-01	1	RM660-881-025	18	CenterRubberBumper	7431-01	1	RM660-881-003
13	RowFootPad, Left	7433-01	1	RM660-881-024	41	Nut M8 Nylon	7383-01	5	0110-708-05
14	Pulley82, Wide w/ 3 Magnets	7359-01	2	RM660-881-011	48	Screw M10 Shoulder	7378-01	1	0113-210-385A
14-A	Pulley82, Wide	7358-01	1	EVS?	49	Screw M5 x 45 SHCS, Black	7351-01	2	0113-205-458
22	GB Roller-TPU E1	7362-01	4	RM660-881-018	50	Screw M5 x 10 SHCS	7371-01	2	0113-105-108A
37	washer, M10 flat	7390-01	3	0116-010-265	51	Screw M10 x 45 SHCS	7379-01	1	RM660-561-019
40	Washer, M8 flat Wide	7387-01	14	0116-008-05	58	Washer, M6 Flat	7385-01	2	0116-006-03
42	Nut M10 Hex jam,	7384-01	1	0110-710-005	62	Roller, Side TPU 31.5D	7438-01	2	AB118-801-013
44	Screw M8 x 20 Hex SHCS	7376-01	8	0113-208-185	66	Nut M6 Nylon	7382-01	2	0110-706-005
47	Screw M8 x 60 special Axle SHCS	7377-01	4	RM660-561-020	69	Washer, M8, 1t Flat	7389-01	2	0116-008-005
52	Screw M10 x 45 SHCS	7380-01	1	0113-206-505	72	Screw M5 x 53 SHCS, Black	7394-01	1	0113-205-538
54	Screw M3 x 10 PHCS	7368-01	2	0113-103-108A	73	Nut M5 black	7356-01	1	0110-705-008
71	MagSensor	7437-01	1	RM660-631-005	74	Washer M5 flat, Black	7355-01	1	0116-005-03
A	ComputerAssm	7434-01	1	EVS?		Sticker, General Warning, Row	7324-01	1	EVS?
	Sticker, Move Seat Up, Row	7325-01	1	EVS?		Sticker, General Caution	7326-01	1	EVS?
	Sticker, Caution: Pinch area	7327-01	1	EVS?					

Total Gym Row Trainer
Mast Assembly
Date: 6-15-2016

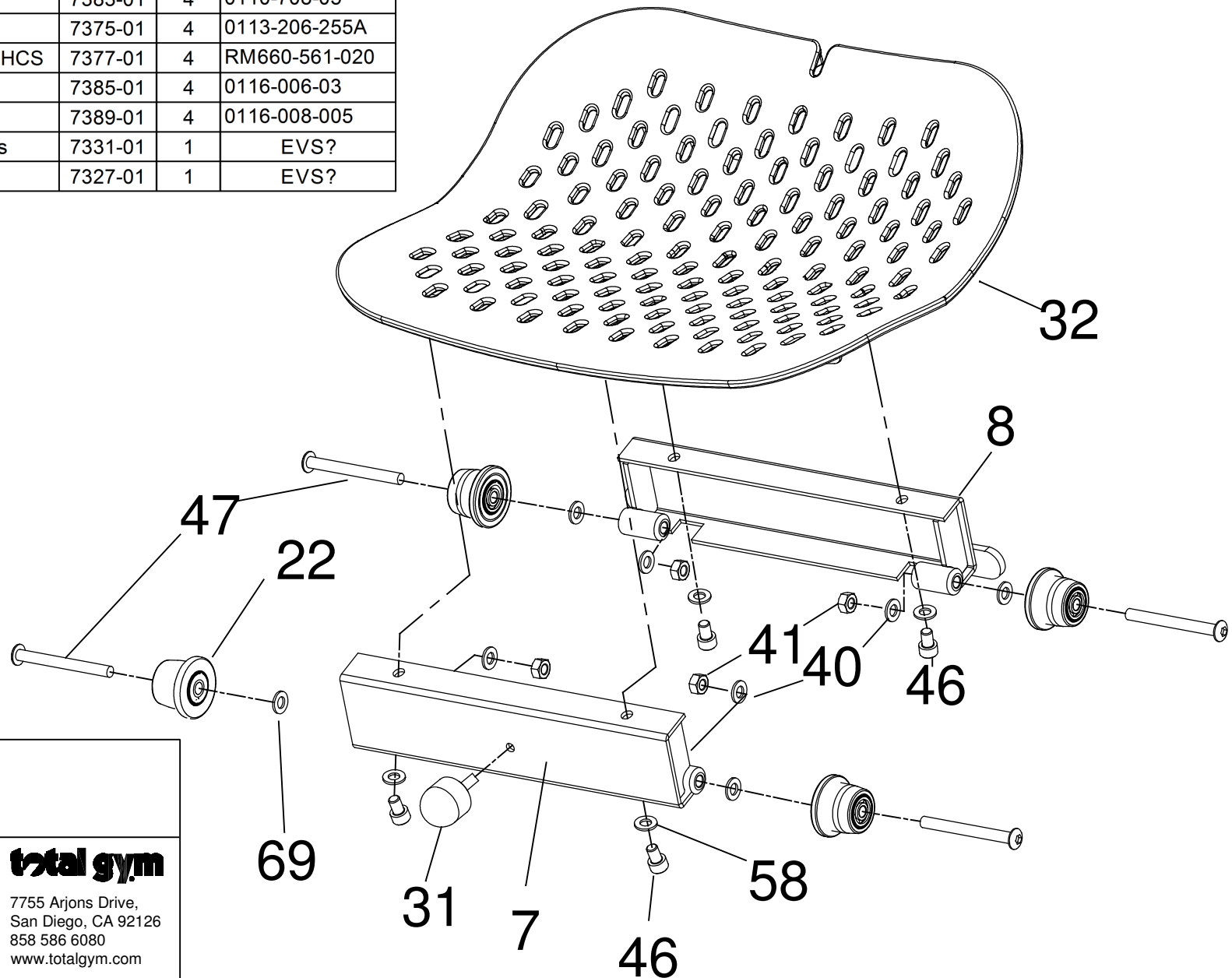
PROPRIETARY AND CONFIDENTIAL
THE INFORMATION CONTAINED IN THIS DRAWING IS THE SOLE PROPERTY OF efi sports medicine. ANY REPRODUCTION IN PART OR AS A WHOLE WITHOUT THE WRITTEN PERMISSION IS PROHIBITED.

total gym
7755 Arjons Drive,
San Diego, CA 92126
858 586 6080
www.totalgym.com

Page 2



No.	TG Description	TG P/N	Qty	Alt
7	FrontSeatRollerBeam	7416-01	1	EVS?
8	RearSeatRollerBeam	7417-01	1	EVS?
22	GB Roller, TPU-E1	7362-01	4	RM660-881-018
31	bumper 30mm D, Domed	7364-01	1	RM660-881-013
32	Seat, Plastic	7415-01	1	RM660-881-004
40	Washer, M8 flat Wide	7387-01	4	0116-008-05
41	Nut M8 Nylon	7383-01	4	0110-708-05
46	Screw M6 x 16 SBHCS	7375-01	4	0113-206-255A
47	Screw M8 x 60 special Axle SHCS	7377-01	4	RM660-561-020
58	Washer, M6 Flat	7385-01	4	0116-006-03
69	Washer, M8 flat	7389-01	4	0116-008-005
A	Sticker, Caution: Seat Extends	7331-01	1	EVS?
B	Sticker, Caution: Pinch area	7327-01	1	EVS?



TG Row Trainer
 Seat Assembly
 Date:

PROPRIETARY AND CONFIDENTIAL

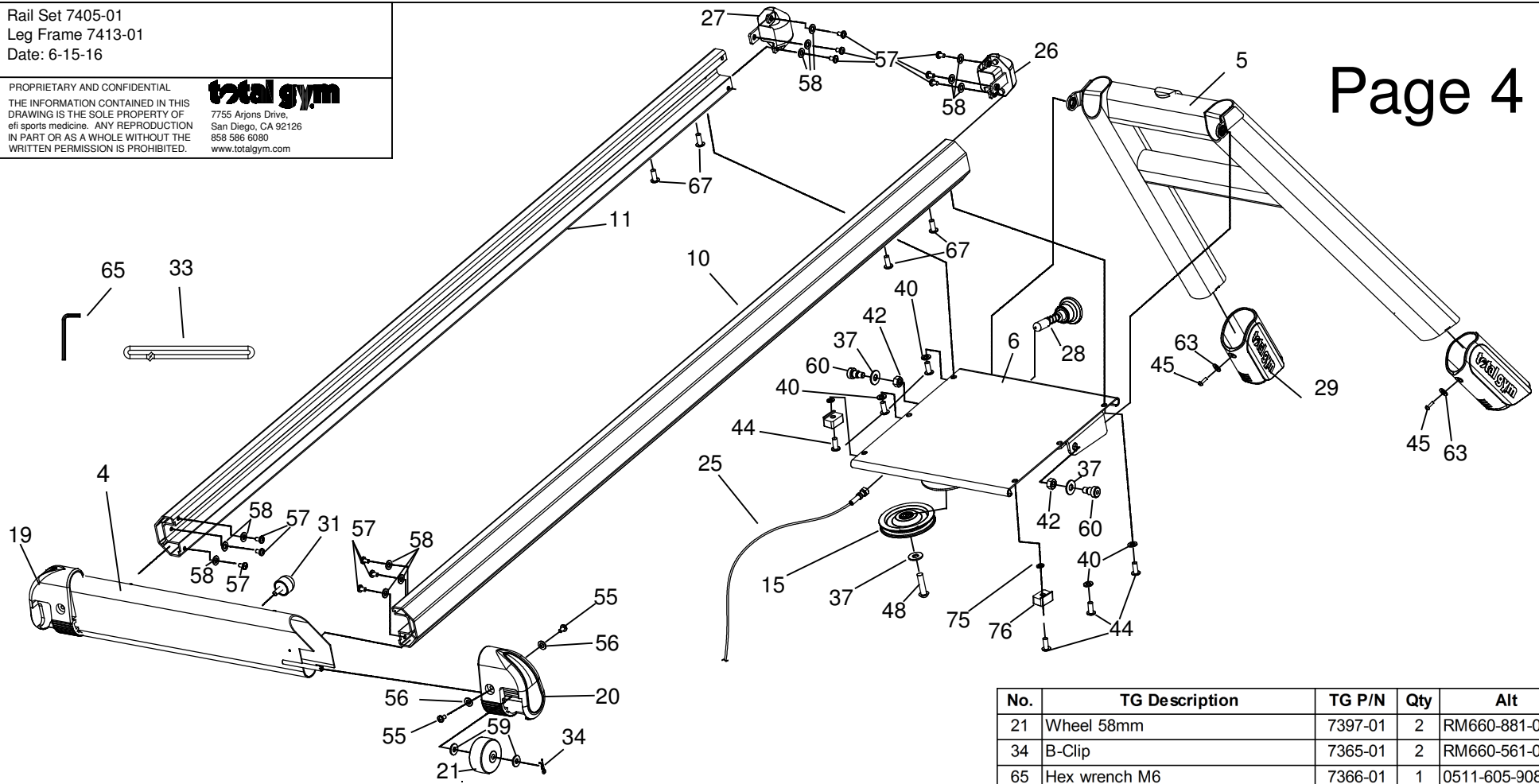
THE INFORMATION CONTAINED IN THIS DRAWING IS THE SOLE PROPERTY OF efi sports medicine. ANY REPRODUCTION IN PART OR AS A WHOLE WITHOUT THE WRITTEN PERMISSION IS PROHIBITED.



7755 Arjons Drive,
 San Diego, CA 92126
 858 586 6080
 www.totalgym.com

Rail Set 7405-01
 Leg Frame 7413-01
 Date: 6-15-16

PROPRIETARY AND CONFIDENTIAL
 THE INFORMATION CONTAINED IN THIS
 DRAWING IS THE SOLE PROPERTY OF
 Total Gym
 7755 Arjons Drive,
 San Diego, CA 92126
 858 586 6060
 www.totalgym.com



No.	TG Description	TG P/N	Qty	Alt
10	RailRight AI	7408-01	1	RM660-561-007
11	Rail_Left AL	7407-01	1	RM660-561-008
67	Screw M6 x 14??? FHMS	7367-01	4	0113-306-145
27	RailEndCap SBR A	7411-01	1	RM660-881-015
26	RailEndCap SBR B	7410-01	1	RM660-881-014
58	Washer, M6 Flat	7385-01	12	0116-006-03
57	Screw M6 x10 PHMS	7374-01	12	0113-206-145
4	Rail base weldment	7404-01	1	EVS?
19	Left front Foot	7398-01	1	RM660-881-007
20	Right front Foot	7399-01	1	RM660-881-008
55	Screw M6 x16 PHMS	7373-01	4	0113-206-145
56	Washer, M6 Flat, Black	7352-01	4	0116-206-508
59	Washer, M8, 2t Flat	7353-01	4	0116-208-506

No.	TG Description	TG P/N	Qty	Alt
21	Wheel 58mm	7397-01	2	RM660-881-012
34	B-Clip	7365-01	2	RM660-561-011
65	Hex wrench M6	7366-01	1	0511-605-908
33	Resitance Band 30N	7439-01	1	RM660-881-009
5	Row Leg Frame	7413-01	1	EVS?
45	Screw M5 x 20 SHCS	7370-01	2	0113-204-128
63	Washer, M5 Flat	7392-01	2	0116-004-03
29	Rearfoot	7412-01	2	EVS?
28	Pull-Pin-Yellow Mushroom 15.7 Dia	7396-01	1	RM660-561-010
6	Pulley&Placard_RowWeldment	7406-01	1	EVS?
15	Pulley82	7360-01	1	RM660-881-026
37	washer, M10 flat	7390-01	1	0116-010-265
48	Screw M10 Shoulder	7378-01	1	0113-210-385A
25	Cable Row	7420-01	1	RM660-561-030
40	Washer, M8 flat Wide	7387-01	4	0116-008-05
42	Nut M10 Hex jam,	7384-01	2	0110-710-005
37	washer, M10 flat	7390-01	2	0116-010-265
60	Screw M12 Shoulder	7381-01	2	RM660-561-029
44	Screw M8 x 20 Hex SHCS	7376-01	4	0113-208-185