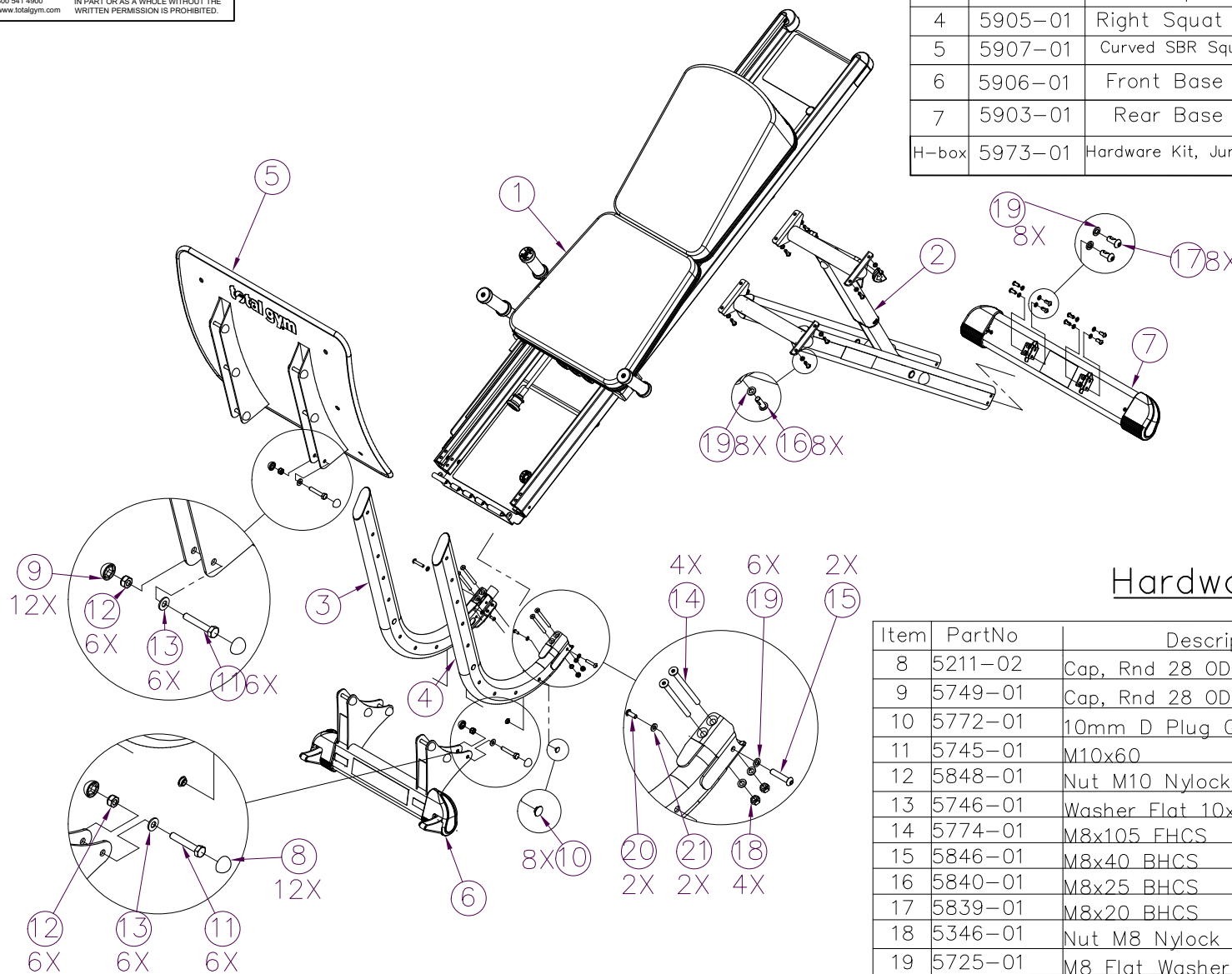


Total Gym Jump Trainer
 P/N 5900-01
 38600-00
 6/23/15

38600-00

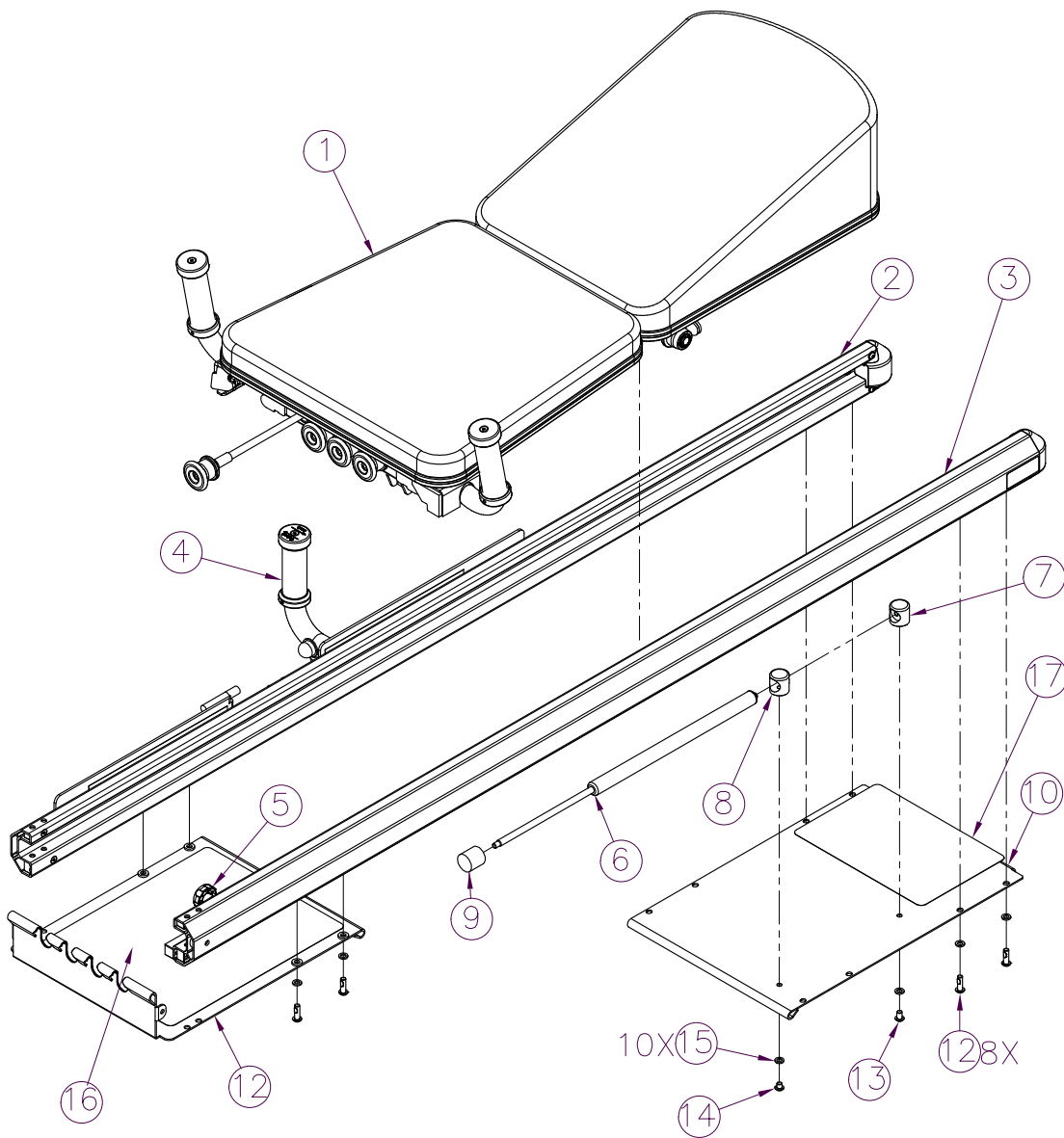
total gym PROPRIETARY AND CONFIDENTIAL
 THE INFORMATION CONTAINED IN THIS
 DRAWING IS THE SOLE PROPERTY OF
 7755 Arjona Drive, San Diego, CA 92126
 609 541 4000
 www.totalgym.com
 all sports medicine. ANY REPRODUCTION
 IN PART OR AS A WHOLE WITHOUT THE
 WRITTEN PERMISSION IS PROHIBITED.

Item	PartNo	Description	Qty	Alt #
1	5901-01	Rail & GB assm, Jump	1	386-2-0001-000A
2	5909-01	Rear Strut & Base Assm	1	386-2-0002-000A
3	5904-01	Left Squat Strut, Jump	1	386-3-1103-000A
4	5905-01	Right Squat Strut, Jump	1	386-3-1107-100A
5	5907-01	Curved SBR Squat Plate, Jump	1	386-3-1100-000B
6	5906-01	Front Base Assm, Jump	1	386-4-1000-000A
7	5903-01	Rear Base Assm, Jump	1	386-4-1200-000A
H-box	5973-01	Hardware Kit, Jump Trainer Assy	1	no Alt #



Hardware Kit

Item	PartNo	Description	Qty	Alt #
8	5211-02	Cap, Rnd 28 OD Plastic Gray	12	362-6-1906-000B
9	5749-01	Cap, Rnd 28 OD Plastic Black	12	Black
10	5772-01	10mm D Plug Gray	8	386-6-1110-000
11	5745-01	M10x60	12	653-1-0100-094
12	5848-01	Nut M10 Nylock	12	661-2-0100-051
13	5746-01	Washer Flat 10x2	12	603-3-0105-03
14	5774-01	M8x105 FHCS	4	658-1-0080-124
15	5846-01	M8x40 BHCS	2	659-1-0080-074A
16	5840-01	M8x25 BHCS	8	659-1-0080-039
17	5839-01	M8x20 BHCS	8	659-1-0080-038
18	5346-01	Nut M8 Nylock	4	661-2-0080-03
19	5725-01	M8 Flat Washer	22	603-3-0084-01
20	5719-01	M6x16 BHCS	2	659-1-0060-374A
21	5727-01	Washer, Flat M6	2	603-3-0064-014A



Item #	PartNo	Description	Qty	Alt P/N
1	5908-01	Glide Board Assm, Jump	1	386-4-1300-000
2	5933-01	Right Rail Asm, Jump	1	386-4-1900-000
3	5935-01	Left Rail Asm, Jump	1	386-4-2000-000
4	5944-01	Safety Handle-GB Lock Assembly	1	386-4-1500-000
5	5954-01	SDR lock assembly	1	386-4-1600-000
6	5966-01	Gas Strut, 15lb, Jump Brake	1	386-4-1300-000
7	5963-01	Brake Top Mount	1	386-4-1300-000
8	5964-01	Brake Bottom Mount	1	386-4-1300-000
9	5965-01	Rubber Bumper 30Rx30L, M8F, Soft 50 Dur	1	386-6-1406-000
10	5822-01	Placard, Pull	1	386-4-1300-000
11	5943-01	Placard, Bungee Rack, Jump	1	386-6-1406-000
12	5840-01	M8x25 SBHCS	8	659-1-0080-074A
13	5869-01	M8x12 SBHCS	1	659-1-0080-04
14	5869-01	M8x12 SBHCS	1	659-1-0080-04
15	5725-01	M8 Flat Washer	10	603-3-0084-00
16	N/A	Sticker, Bungee	1	not inventoried
17	N/A	Sticker, Instruction Placard	1	not inventoried

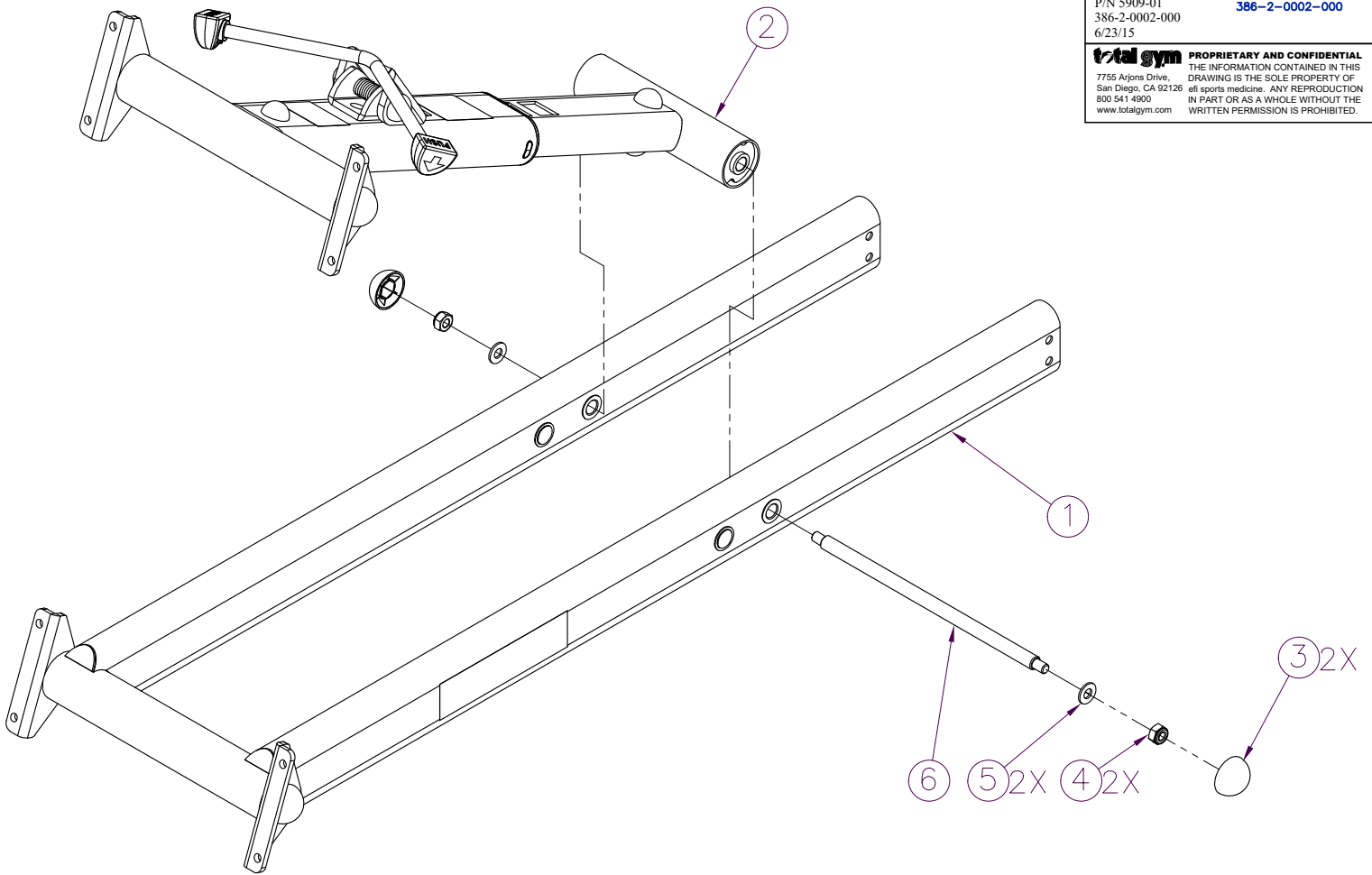
Glideboard & Rail Assm, Jump
 5901-01
 6/18/15

total gym PROPRIETARY AND CONFIDENTIAL
 THE INFORMATION CONTAINED IN THIS
 DRAWING IS THE SOLE PROPERTY OF
 efi sports medicine. ANY REPRODUCTION
 IN PART OR AS A WHOLE WITHOUT THE
 WRITTEN PERMISSION IS PROHIBITED.

7755 Arjons Drive,
 San Diego, CA 92126
 800 541 4900
 www.totalgym.com

Rear Strut & Base Assm
 P/N 5909-01
 386-2-0002-000
 6/23/15

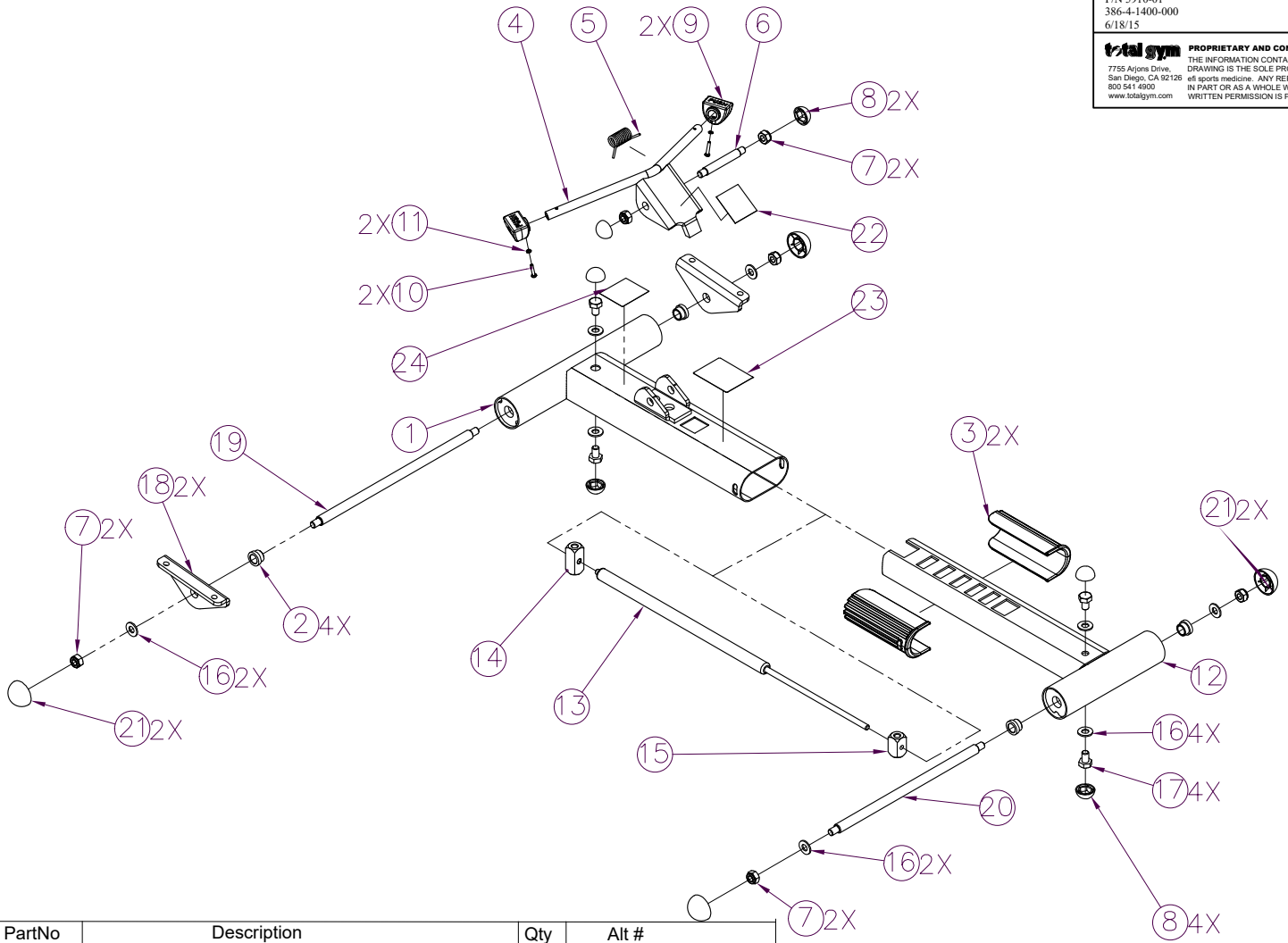
totalgym PROPRIETARY AND CONFIDENTIAL
 THE INFORMATION CONTAINED IN THIS
 DRAWING IS THE SOLE PROPERTY OF
 7755 Arjons Drive, San Diego, CA 92126
 800 541 4800
 www.totalgym.com
 ell sports medicine. ANY REPRODUCTION
 IN PART OR AS A WHOLE WITHOUT THE
 WRITTEN PERMISSION IS PROHIBITED.



Item	PartNo	Description	Qty	Alt #
1	5916-01	Jump Rear Strut	1	386-3-1800-000A-D
2	5795-01	Incline Strut Assm, Press & Pull	1	364-4-1400-000A
3	5805-01	Cap, Rnd 40 OD Plastic Gray	2	364-6-1910-000A
4	5848-01	Nut M10 Nylock	2	661-2-0100-051
5	5746-01	Washer Flat 10x2	2	603-3-0105-03
6	5917-01	Axle, Strut legs D14 x 316 (Special4Jump)	1	386-6-1401-000A

Incline Strut Assm, Jump
P/N 5910-01
386-4-1400-000
6/18/15

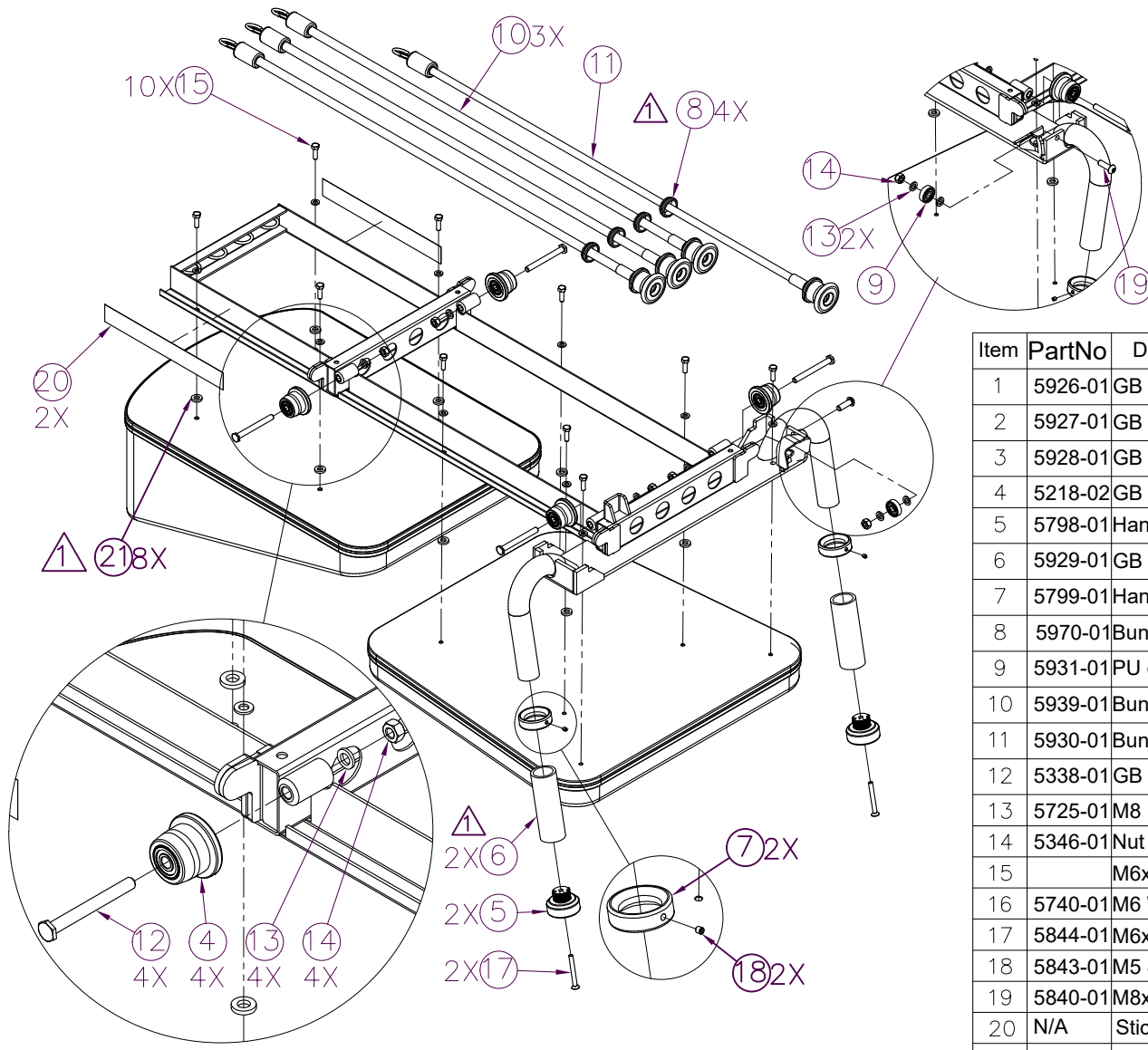
total gym PROPRIETARY AND CONFIDENTIAL
THE INFORMATION CONTAINED IN THIS
DRAWING IS THE SOLE PROPERTY OF
San Diego, CA 92129 All sports medicine. ANY REPRODUCTION
800 541 4900 IN PART OR AS A WHOLE WITHOUT THE
www.totalgym.com WRITTEN PERMISSION IS PROHIBITED.



Item	PartNo	Description	Qty	Alt #
1	5885-01	Incline Strut Top Wldmt, Press & Pull	1	364-3-1400-200A
2	5808-01	Bushing flange D14	4	364-6-1404-000A
3	5809-01	Bushing Incline Strut, Plastic Oval	2	364-6-1405-000A
4	5786-01	Release Lever, Incline Strut, Pull	1	364-3-1500-000A
5	5811-01	Spring, Torsion, Release lever	1	364-6-1502-000A
6	5812-01	Axle, Release lever, Incline Strut	1	364-6-1503-000A
7	5848-01	Nut M10 Nylock	6	661-2-0100-051
8	5211-02	Cap, Rnd 28 OD Plastic Gray	6	362-6-1906-000B
9	5813-01	Knob, Release lever, Incline Strut	2	364-6-1510-000A
10	5841-01	M4 x 20 PHCS	2	614-1-0040-111
11	5838-01	M4 Washer split	2	605-3-0042-00
12	5787-01	Incline Strut Bottom Wldmt, Press & Pull	1	605-3-0042-00
13	5915-01	Gas Strut, 49LB, Incline, Jump	1	386-6-1400-000A
14	5816-01	Block, Gas Strut End, Long	1	364-6-1701-000A
15	5817-01	Block, Gas Strut End, Short	1	364-6-1702-000A
16	5746-01	Washer Flat 10x2	8	603-3-0105-03
17	5745-01	M10x25 HHCS	4	653-1-0100-094
18	5819-01	Rail Hinge	2	364-6-1901-000A
19	5810-01	Axle, Rail D14 x 341	1	364-6-1410-000A
20	5917-01	Axle, Strut legs D14 x 316 (Special4Jump)	1	364-6-1702-000A
21	5840-01	Cap, Rnd 40 OD Plastic Gray	4	364-6-1910-000A
22	□N/A	Sticker	1	not inventoried
23	□N/A	Sticker	1	not inventoried
24	□N/A	Sticker	1	not inventoried

Glideboard Assm, Jump
P/N 5908-01
386-4-1300-000
6/18/15

total gym PROPRIETARY AND CONFIDENTIAL
THE INFORMATION CONTAINED IN THIS
DRAWING IS THE SOLE PROPERTY OF
San Diego, CA 92128 efi sports medicine. ANY REPRODUCTION
800 541 4900 IN PART OR AS A WHOLE WITHOUT THE
www.totalgym.com WRITTEN PERMISSION IS PROHIBITED.

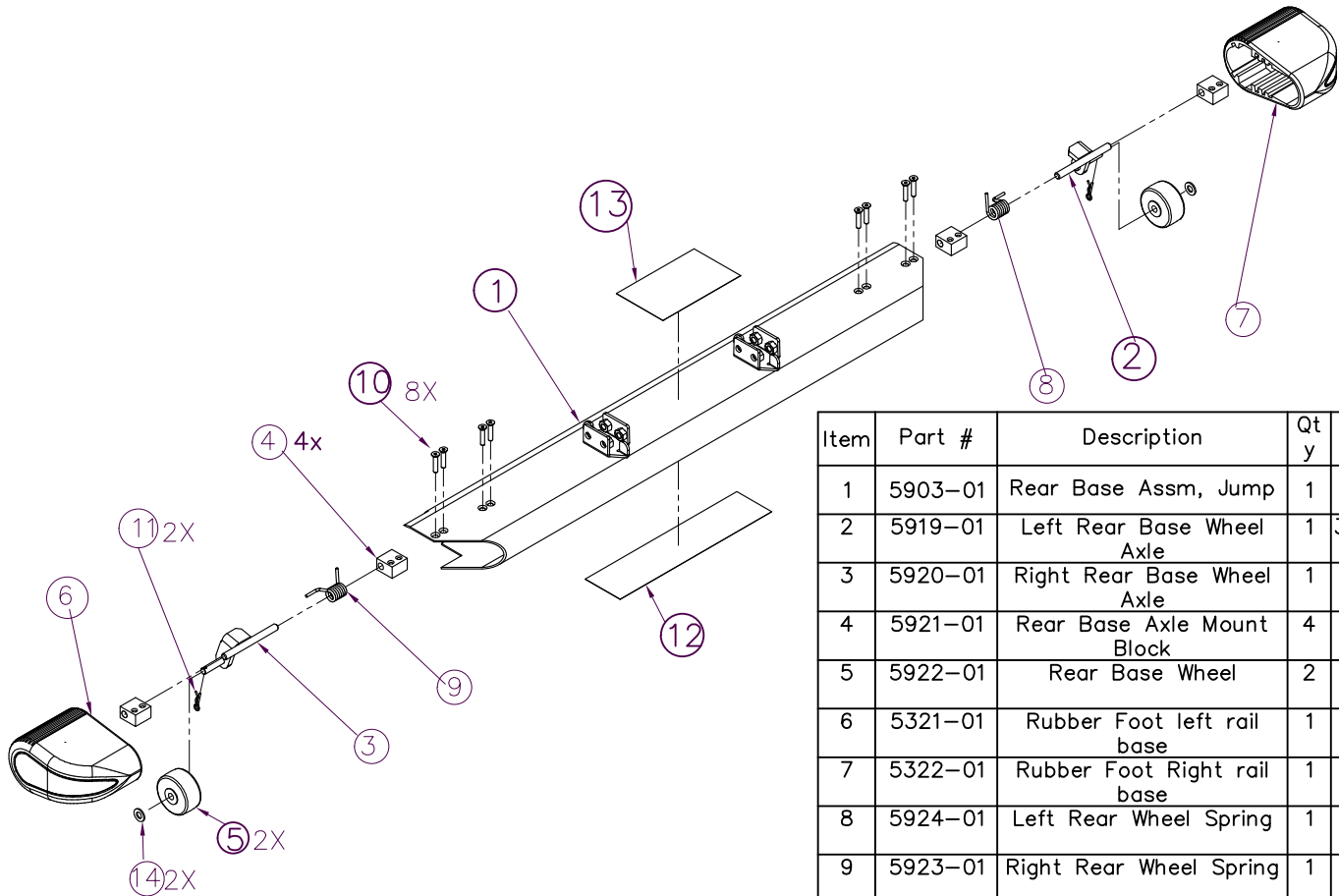
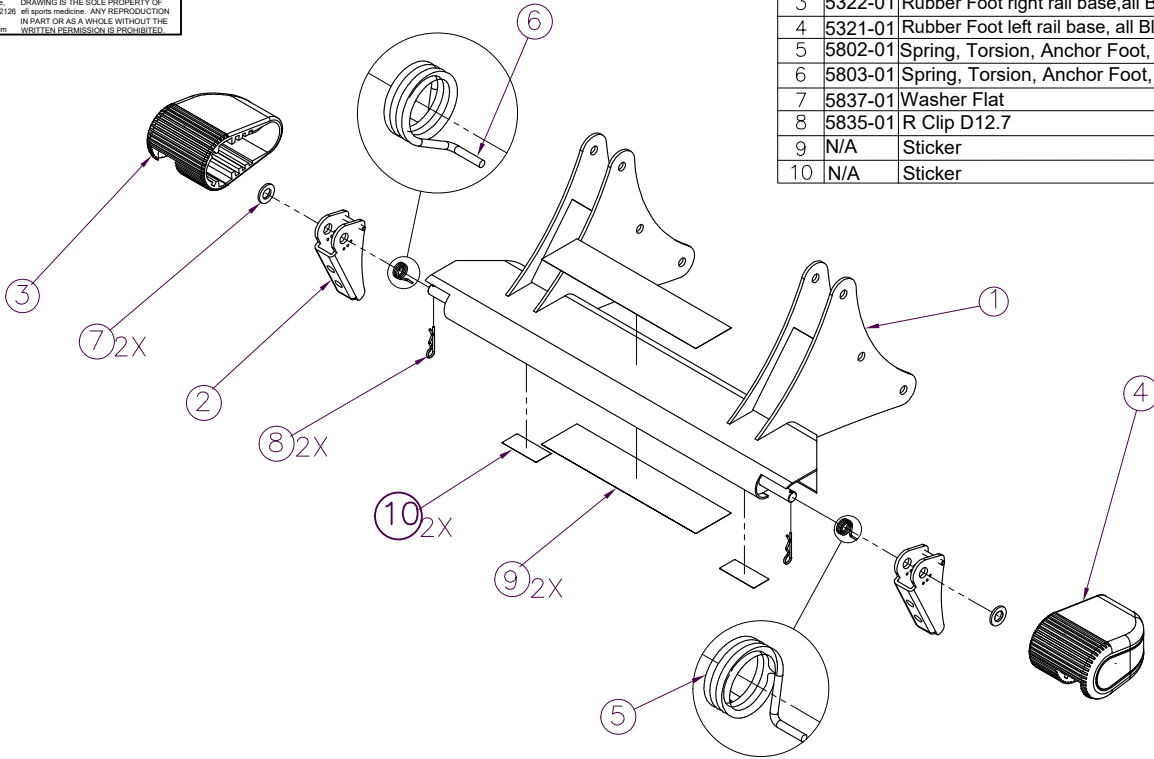


Item	PartNo	Description	Qty	Alt #
1	5926-01	GB Weldment, Jump	1	386-3-1300-000A
2	5927-01	GB Pad, Top Wedge, JUMP	1	386-6-1311-000A
3	5928-01	GB Pad, Seat Trapizpod, Jump	1	386-6-1312-000A
4	5218-02	GB Roller Elevate PU	4	362-4-1801-000A
5	5798-01	Handle Grip End Cap D31.8	2	364-6-1003-000A
6	5929-01	GB Handle Grip foam 110mm long, Jump	2	386-6-1313-000A
7	5799-01	Handle Grip Inside Ring D31.8	2	364-6-1004-000A
8	5970-01	Bungee Grommet	4	334-6-1008-00
9	5931-01	PU covered Bearing	1	304-6-7604-00
10	5939-01	Bungee 20lb, Yellow, Jump	3	386-4-2300-000
11	5930-01	Bungee 10lb, Blue, Jump	1	386-4-2301-000
12	5338-01	GB Roller Axle Special Hex head M8x75 Black	4	362-6-1802-001
13	5725-01	M8 Flat Washer	6	603-3-0084-01
14	5346-01	Nut M8 Nylock	5	661-2-0080-03
15		M6x20 HHCS	10	M6X1.0X20
16	5740-01	M6 Washer	10	603-3-0066-00
17	5844-01	M6x16 BHCS	2	658-1-0060-104A
18	5843-01	M5 Set Screw	2	644-1-0050-044A
19	5840-01	M8x25 SBHCS	1	659-1-0080-074A
20	N/A	Sticker	2	Not inventoried
21			8	D16XD8.5X3t

Front Base Assy, Jump
 P/N 5906-01
 386-4-1000-000A
 6/18/15

PROPRIETARY AND CONFIDENTIAL
 THE INFORMATION CONTAINED IN THIS
 DRAWING IS THE SOLE PROPERTY OF
 7755 Argos Drive
 San Diego, CA 92126
 800 541 4900
 www.totallygym.com
 ALL RIGHTS RESERVED. ANY REPRODUCTION
 IN PART OR AS A WHOLE WITHOUT THE
 WRITTEN PERMISSION IS PROHIBITED.

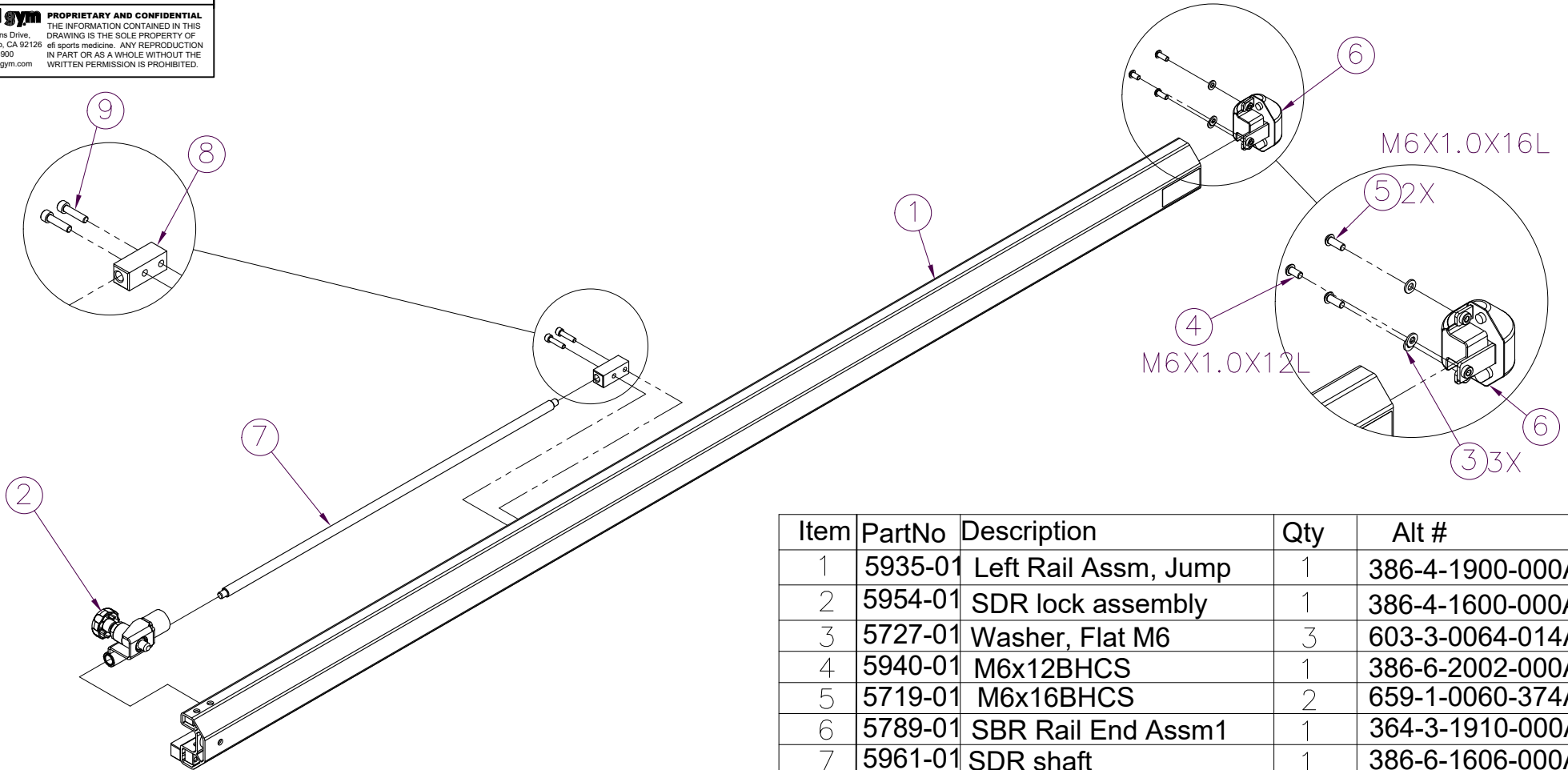
Item	PartNo	Description	Qty	Alt #
1	5913-01	Front Base Weldment, Jump	1	386-3-1000-000A
2	5783-01	Anchor Foot, rear base, Press, Pull	2	364-3-1201-200A
3	5322-01	Rubber Foot right rail base, all Black	1	362-6-1504-000A
4	5321-01	Rubber Foot left rail base, all Black	1	362-6-1505-000A
5	5802-01	Spring, Torsion, Anchor Foot, Rt	1	364-6-1206-000A
6	5803-01	Spring, Torsion, Anchor Foot, Lf	1	364-6-1207-000A
7	5837-01	Washer Flat	2	603-3-0131-00
8	5835-01	R Clip D12.7	2	602-4-0120-002A
9	N/A	Sticker	2	not inventoried
10	N/A	Sticker	2	not inventoried



Item	Part #	Description	Qty	Alt #
1	5903-01	Rear Base Assm, Jump	1	386-4-1200-000A
2	5919-01	Left Rear Base Wheel Axle	1	386-3-1210-000A
3	5920-01	Right Rear Base Wheel Axle	1	386-3-1220-000A
4	5921-01	Rear Base Axle Mount Block	4	386-6-1202-000A
5	5922-01	Rear Base Wheel	2	386-6-1208-000A
6	5321-01	Rubber Foot left rail base	1	362-6-1505-000A
7	5322-01	Rubber Foot Right rail base	1	362-6-1504-000A
8	5924-01	Left Rear Wheel Spring	1	386-6-1204-000A
9	5923-01	Right Rear Wheel Spring	1	386-6-1203-000A
10	5925-01	M5 x 20FHCS->M5 x 25FHCS	8	
11	5721-01	B clip CT 1.5dia R	2	602-4-0800-002A
12	N/A	Sticker		not inventoried
13	N/A	Sticker		not inventoried
14	5276-01	Washer Flat 8x2		603-3-0083-01

Left Rail Assm, Jump
P/N 5935-01
386-2-0001-000 386-2-0001-000
6/18/15

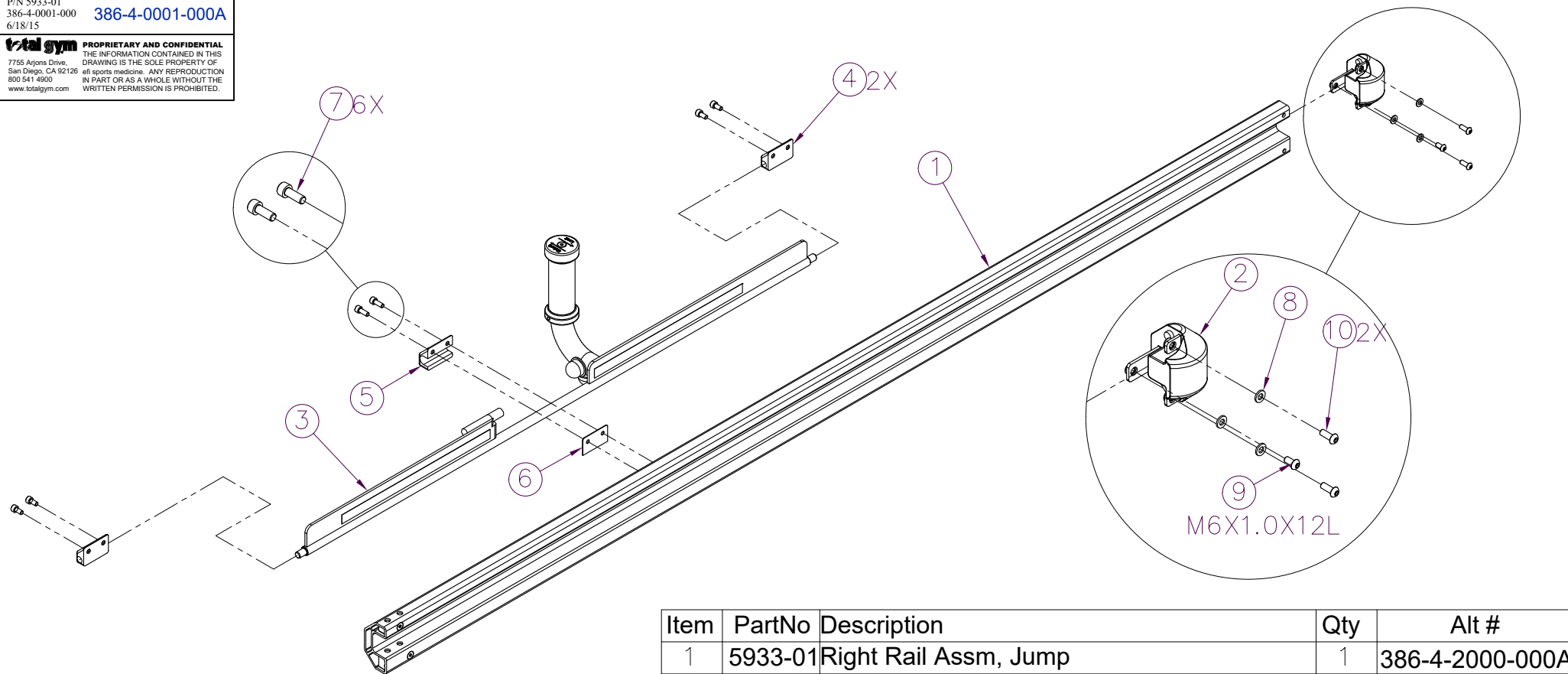
total gym PROPRIETARY AND CONFIDENTIAL
THE INFORMATION CONTAINED IN THIS
DRAWING IS THE SOLE PROPERTY OF
7755 Arjans Drive, San Diego, CA 92126
800 541 4900
www.totalgym.com
eff sports medicine. ANY REPRODUCTION
IN PART OR AS A WHOLE WITHOUT THE
WRITTEN PERMISSION IS PROHIBITED.



Item	PartNo	Description	Qty	Alt #
1	5935-01	Left Rail Assm, Jump	1	386-4-1900-000A
2	5954-01	SDR lock assembly	1	386-4-1600-000A
3	5727-01	Washer, Flat M6	3	603-3-0064-014A
4	5940-01	M6x12BHCS	1	386-6-2002-000A
5	5719-01	M6x16BHCS	2	659-1-0060-374A
6	5789-01	SBR Rail End Assm1	1	364-3-1910-000A
7	5961-01	SDR shaft	1	386-6-1606-000A
8	5960-01	SDR Shaft End Blocks	1	386-6-1607-000A
9	5968-01	M6 x 25 SHCS	2	649-1-0060-21

Right Rail Assm, Jump
 P/N 5933-01
 386-4-0001-000 **386-4-0001-000A**
 6/18/15

total gym PROPRIETARY AND CONFIDENTIAL
 THE INFORMATION CONTAINED IN THIS
 DRAWING IS THE SOLE PROPERTY OF
 7755 Arjons Drive,
 San Diego, CA 92126 ell sports medicine. ANY REPRODUCTION
 800 541 4900 IN PART OR AS A WHOLE WITHOUT THE
 www.totalgym.com WRITTEN PERMISSION IS PROHIBITED.

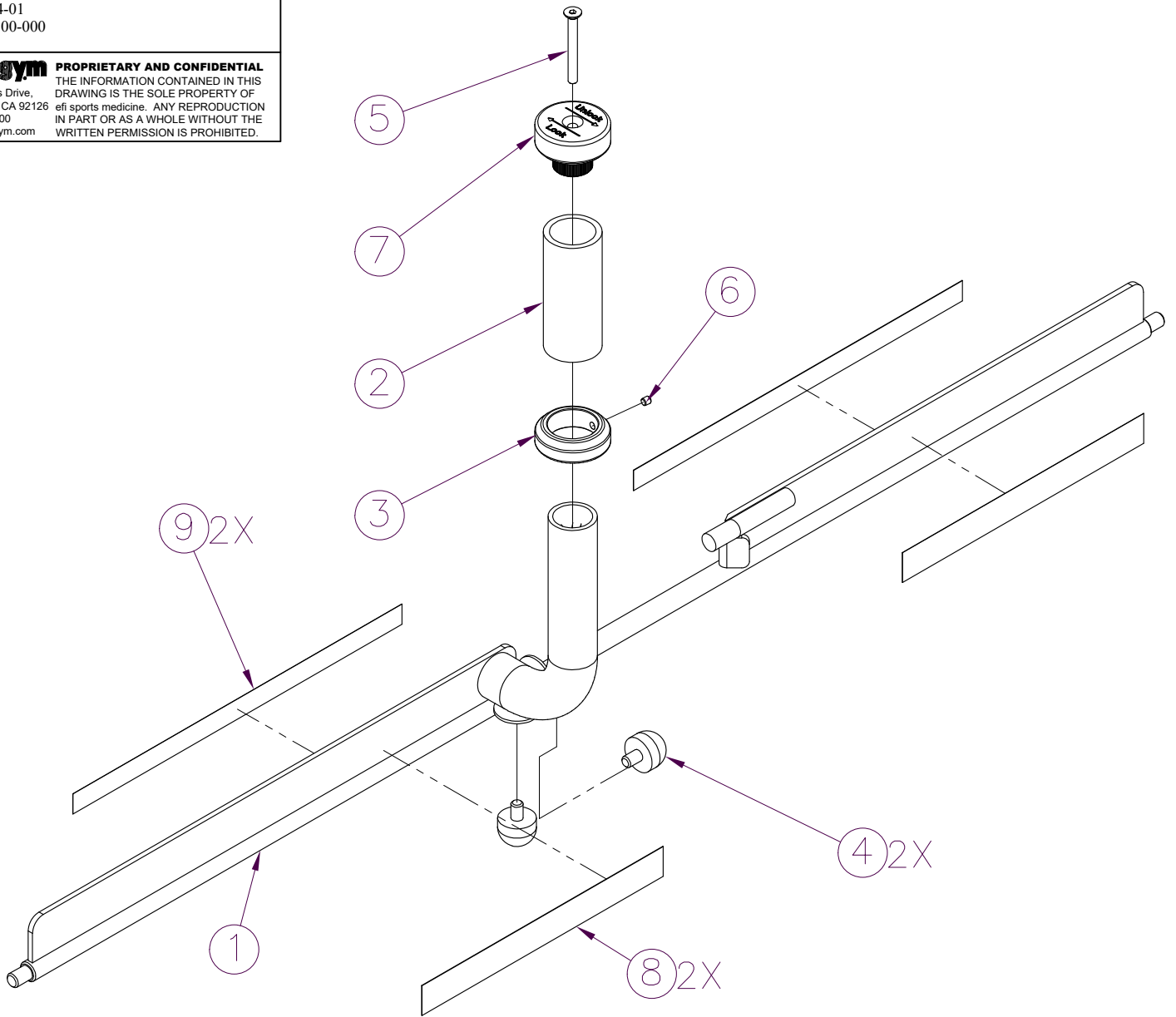


Item	PartNo	Description	Qty	Alt #
1	5933-01	Right Rail Assm, Jump	1	386-4-2000-000A
2	5790-01	SBR Rail End Assm2	1	364-3-2010-000A
3	5944-01	Safety Handle-GB Lock Assembly	1	386-4-1500-000A
4	5946-01	Handle End Pivot Bearing	1	386-6-1508-000A
5	5947-01	Handle Center Pivot Bearing	1	386-6-1509-000A
6	5952-01	Plastic Bearing plate-Handle Center Pivot	1	386-6-1510-000A
7	5450-01	M6x20 SHCS	6	
8	5727-01	Washer, Flat M6	3	603-3-0064-014A
9	5940-01	M6x12BHCS	1	386-6-2002-000A
10	5719-01	M6x16BHCS	2	659-1-0060-374A

Safety Handle-GB Lock Assembly
P/N 5944-01
386-4-1500-000
6/18/15

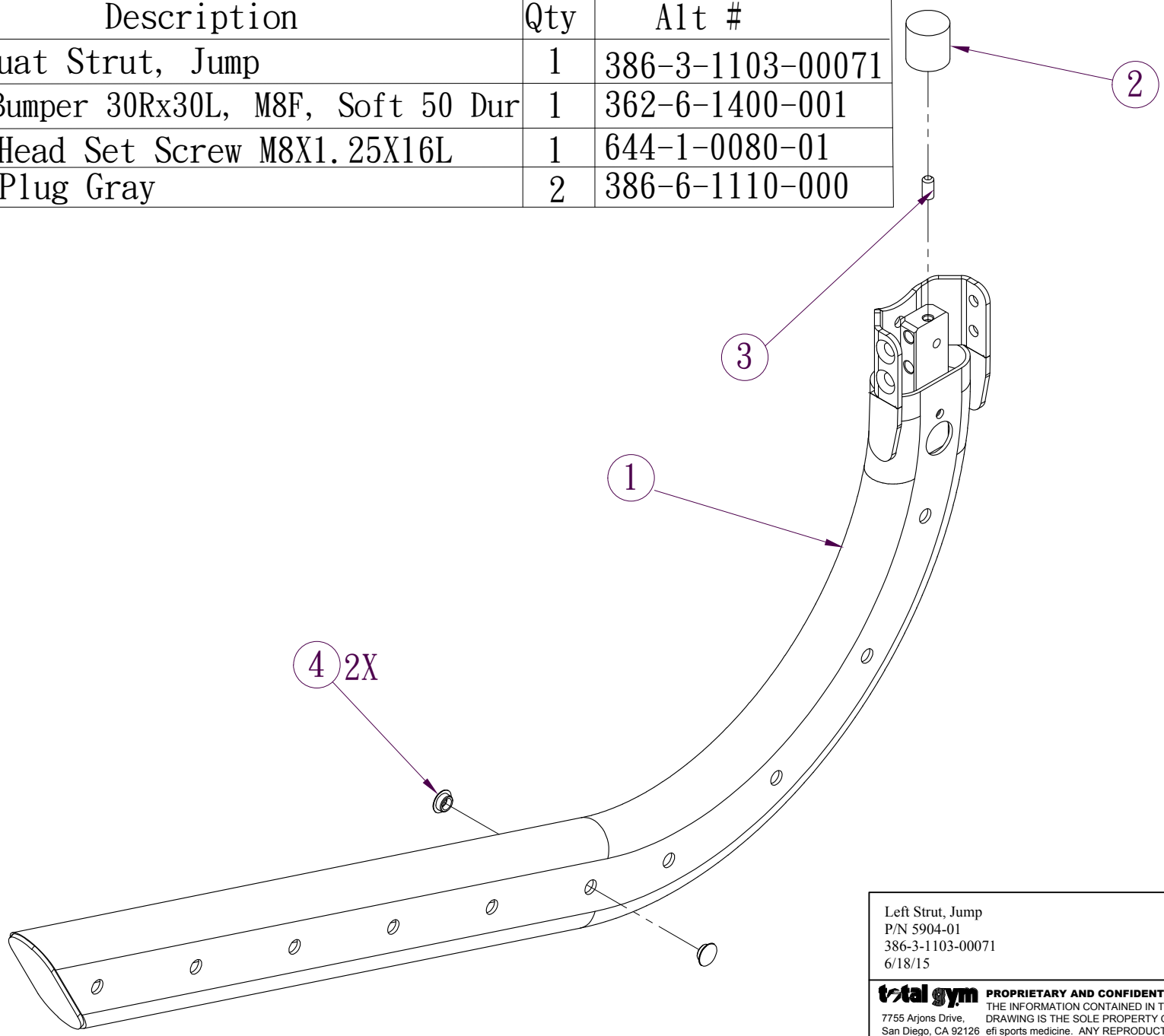
total gym PROPRIETARY AND CONFIDENTIAL
THE INFORMATION CONTAINED IN THIS
DRAWING IS THE SOLE PROPERTY OF
efi sports medicine. ANY REPRODUCTION
IN PART OR AS A WHOLE WITHOUT THE
WRITTEN PERMISSION IS PROHIBITED.

7755 Arjons Drive,
San Diego, CA 92126
800 541 4900
www.totalgym.com



Item	PartNo	Description	Qty	Alt #
1	5945-01	GB-Lock Handle Weldment	1	386-3-1500-000A
2	5929-01	GB Handle Grip Foam 110mm long, Jump	1	386-6-1313-000A
3	5948-01	Handle Grip Inside Ring D31.8, Yellow	1	386-6-1511-000A
4	5951-01	Rubber Bumper 25R Dome, 8mm Male	2	386-6-1507-000
5	5844-01	M6x16 BHCS	1	658-1-0060-104
6	5843-01	M5 Set Screw	1	644-1-0050-044
7	5949-01	Handle Grip End Cap D31.8 , Yellow Engraved, Jump	1	386-6-1505-000
8	N/A	Sticker	2	not inventoried
9	N/A	Sticker	2	not inventoried

Item	PartNo	Description	Qty	Alt #
1	5904-01	Left Squat Strut, Jump	1	386-3-1103-00071
2	5724-01	Rubber Bumper 30Rx30L, M8F, Soft 50 Dur	1	362-6-1400-001
3	5914-01	Socket Head Set Screw M8X1.25X16L	1	644-1-0080-01
4	5772-01	10mm D Plug Gray	2	386-6-1110-000



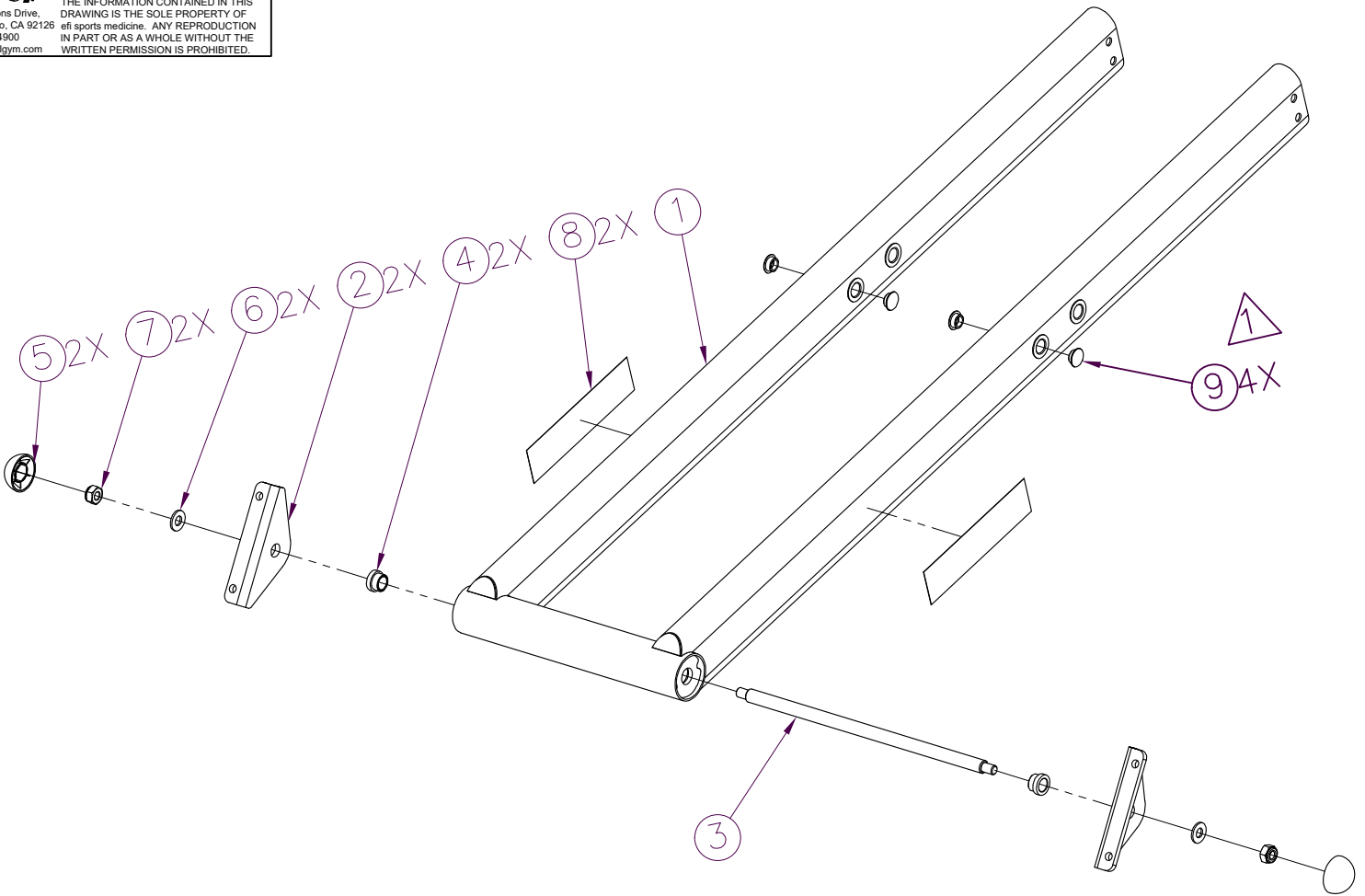
Left Strut, Jump
P/N 5904-01
386-3-1103-00071
6/18/15

total gym PROPRIETARY AND CONFIDENTIAL
THE INFORMATION CONTAINED IN THIS DRAWING IS THE SOLE PROPERTY OF efi sports medicine. ANY REPRODUCTION IN PART OR AS A WHOLE WITHOUT THE WRITTEN PERMISSION IS PROHIBITED.

7755 Arjons Drive,
San Diego, CA 92126
800 541 4900
www.totalgym.com

Rear Strut, Jump
 P/N 5916-01 386-4-1800-000
 386-3-1800-000A-D
 6/22/15

total gym PROPRIETARY AND CONFIDENTIAL
 THE INFORMATION CONTAINED IN THIS
 DRAWING IS THE SOLE PROPERTY OF
 7755 Arjona Drive, ef sports medicine. ANY REPRODUCTION
 San Diego, CA 92126 IN PART OR AS A WHOLE WITHOUT THE
 800 541 4900 WRITTEN PERMISSION IS PROHIBITED.
 www.totalgym.com

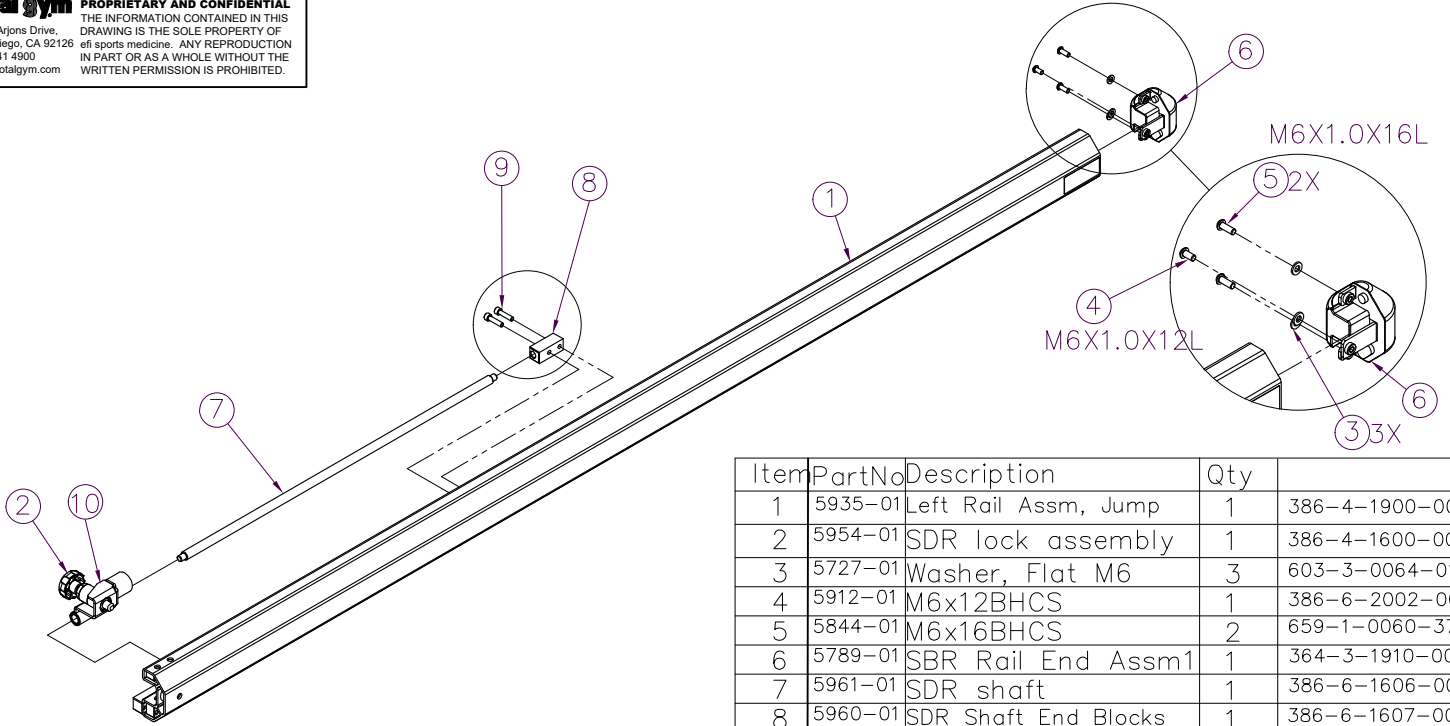


Item	PartNo	Description	Qty	Alt #
1	5916-01	Jump Rear Strut	1	386-3-1800-000A-D
2	5819-01	Rail Hinge	2	364-6-1901-000A
3	5810-01	Axle, Rail D14 x 341	1	364-6-1410-000A
4	5808-01	Bushing flange D14	2	364-6-1404-000A
5	5805-01	Cap, Rnd 40 OD Plastic Gray	2	364-6-1910-000A
6	5746-01	Washer Flat 10x2	2	603-3-0105-03
7	5848-01	Nut M10 Nylock	2	661-2-0100-051
8	N/A	Sticker	2	not inventoried
9	5773-01	14mm D Plug Gray	4	386-6-1408-000

Left Rail Assm, Jump
 P/N 5935-01 386-2-0001-000
 386-2-0001-000
 6/18/15

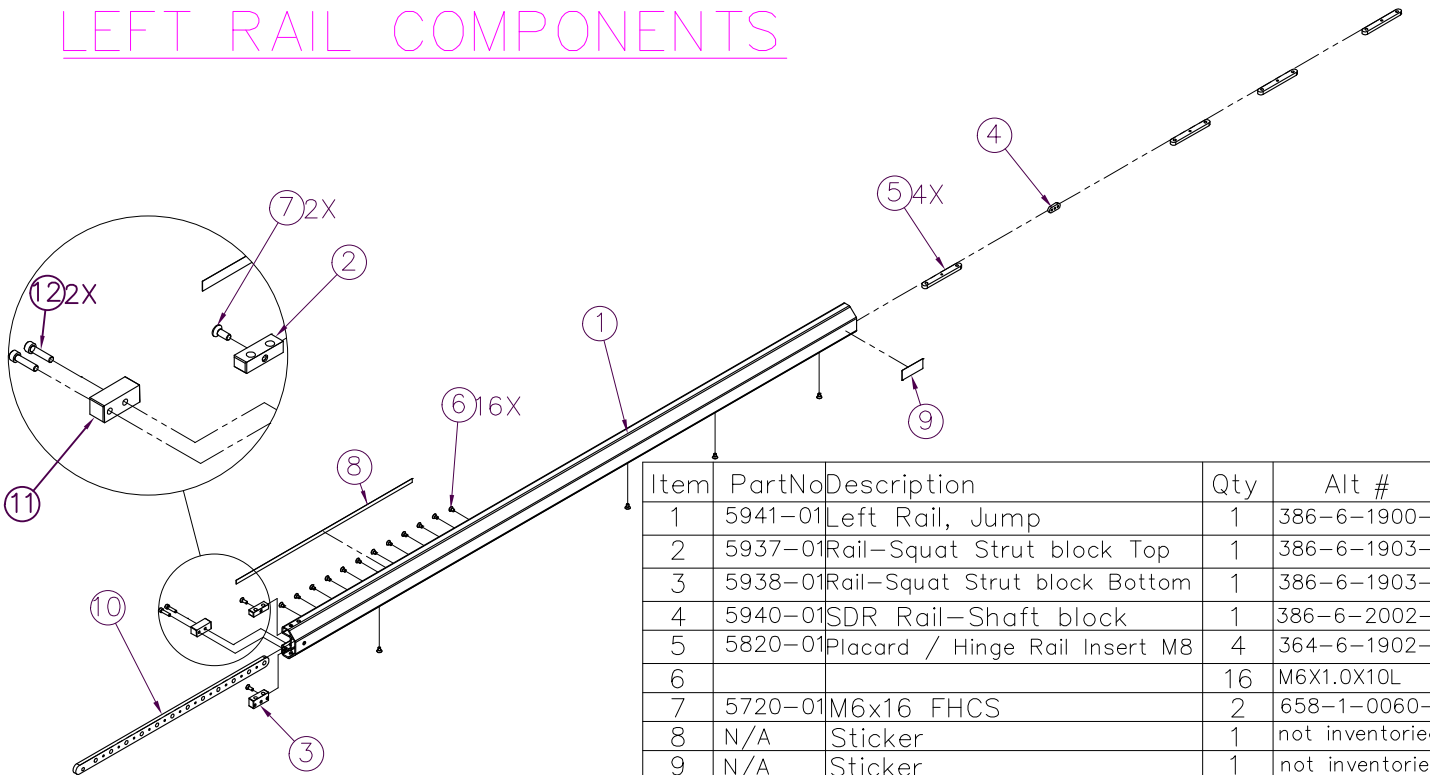
total gym PROPRIETARY AND CONFIDENTIAL
 THE INFORMATION CONTAINED IN THIS DRAWING IS THE SOLE PROPERTY OF total gym. ANY REPRODUCTION IN PART OR AS A WHOLE WITHOUT THE WRITTEN PERMISSION IS PROHIBITED.

7755 Arjona Drive,
 San Diego, CA 92126
 800 541 4900
 www.totalgym.com



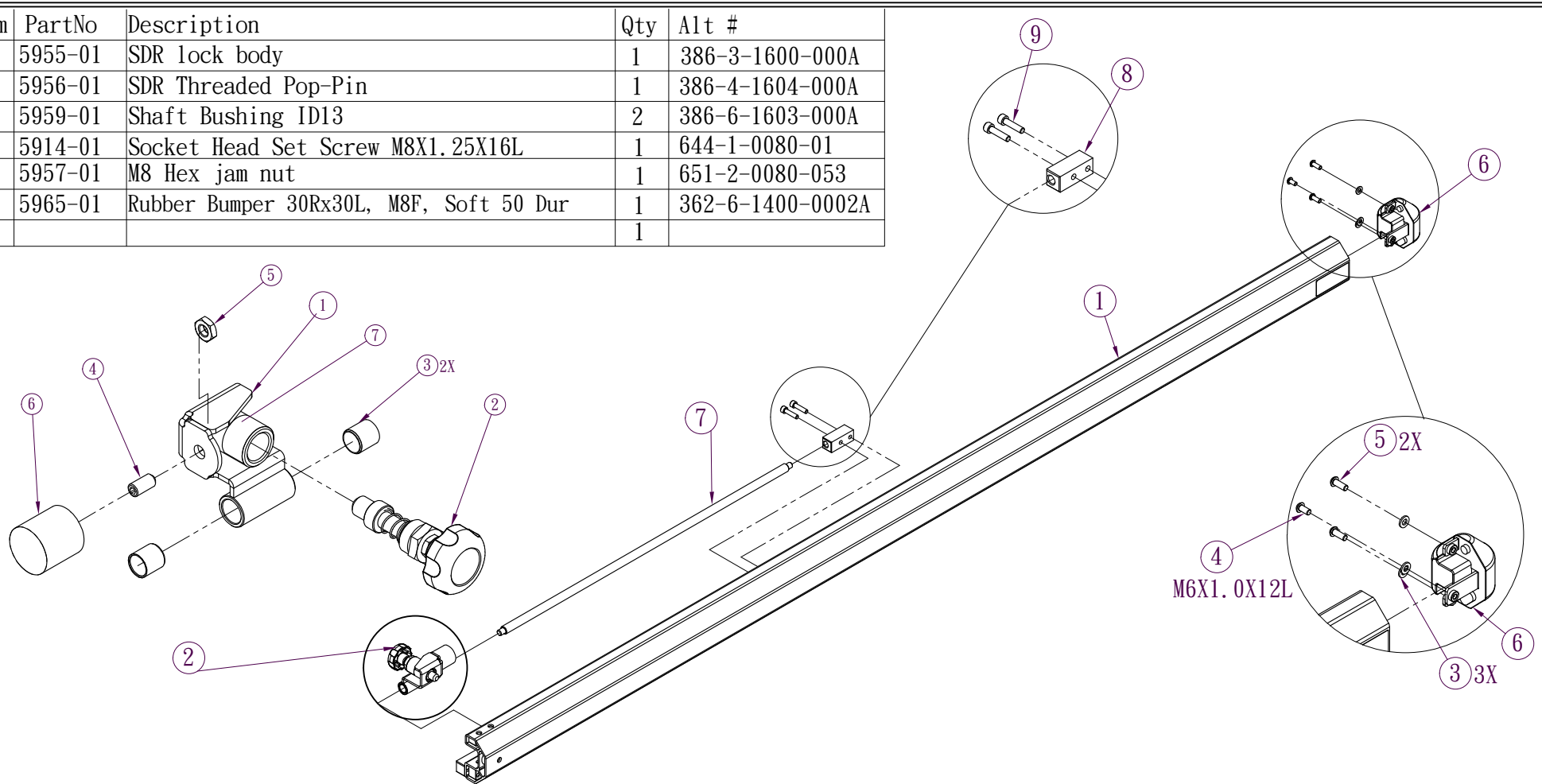
Item	PartNo	Description	Qty	
1	5935-01	Left Rail Assm, Jump	1	386-4-1900-000A
2	5954-01	SDR lock assembly	1	386-4-1600-000A
3	5727-01	Washer, Flat M6	3	603-3-0064-014A
4	5912-01	M6x12BHCS	1	386-6-2002-000A
5	5844-01	M6x16BHCS	2	659-1-0060-374A
6	5789-01	SBR Rail End Assm1	1	364-3-1910-000A
7	5961-01	SDR shaft	1	386-6-1606-000A
8	5960-01	SDR Shaft End Blocks	1	386-6-1607-000A
9	5968-01	M6 x 25 SHCS	2	649-1-0060-21
10	5955-01	SDR Lock Body	1	386-3-1600-000A

LEFT RAIL COMPONENTS



Item	PartNo	Description	Qty	Alt #
1	5941-01	Left Rail, Jump	1	386-6-1900-000A
2	5937-01	Rail-Squat Strut block Top	1	386-6-1903-TopA
3	5938-01	Rail-Squat Strut block Bottom	1	386-6-1903-BotA
4	5940-01	SDR Rail-Shaft block	1	386-6-2002-000A
5	5820-01	Placard / Hinge Rail Insert M8	4	364-6-1902-000A
6			16	M6X1.0X10L
7	5720-01	M6x16 FHCS	2	658-1-0060-06
8	N/A	Sticker	1	not inventoried
9	N/A	Sticker	1	not inventoried
10	5936-01	SDR Rail Pin Plate	1	386-6-2001-000A
11	5960-01	SDR Shaft End Blocks	1	386-6-1607-000A
12	5968-01	M6 x 25 SHCS	2	649-1-0060-21

Item	PartNo	Description	Qty	Alt #
1	5955-01	SDR lock body	1	386-3-1600-000A
2	5956-01	SDR Threaded Pop-Pin	1	386-4-1604-000A
3	5959-01	Shaft Bushing ID13	2	386-6-1603-000A
4	5914-01	Socket Head Set Screw M8X1.25X16L	1	644-1-0080-01
5	5957-01	M8 Hex jam nut	1	651-2-0080-053
6	5965-01	Rubber Bumper 30Rx30L, M8F, Soft 50 Dur	1	362-6-1400-0002A
7			1	



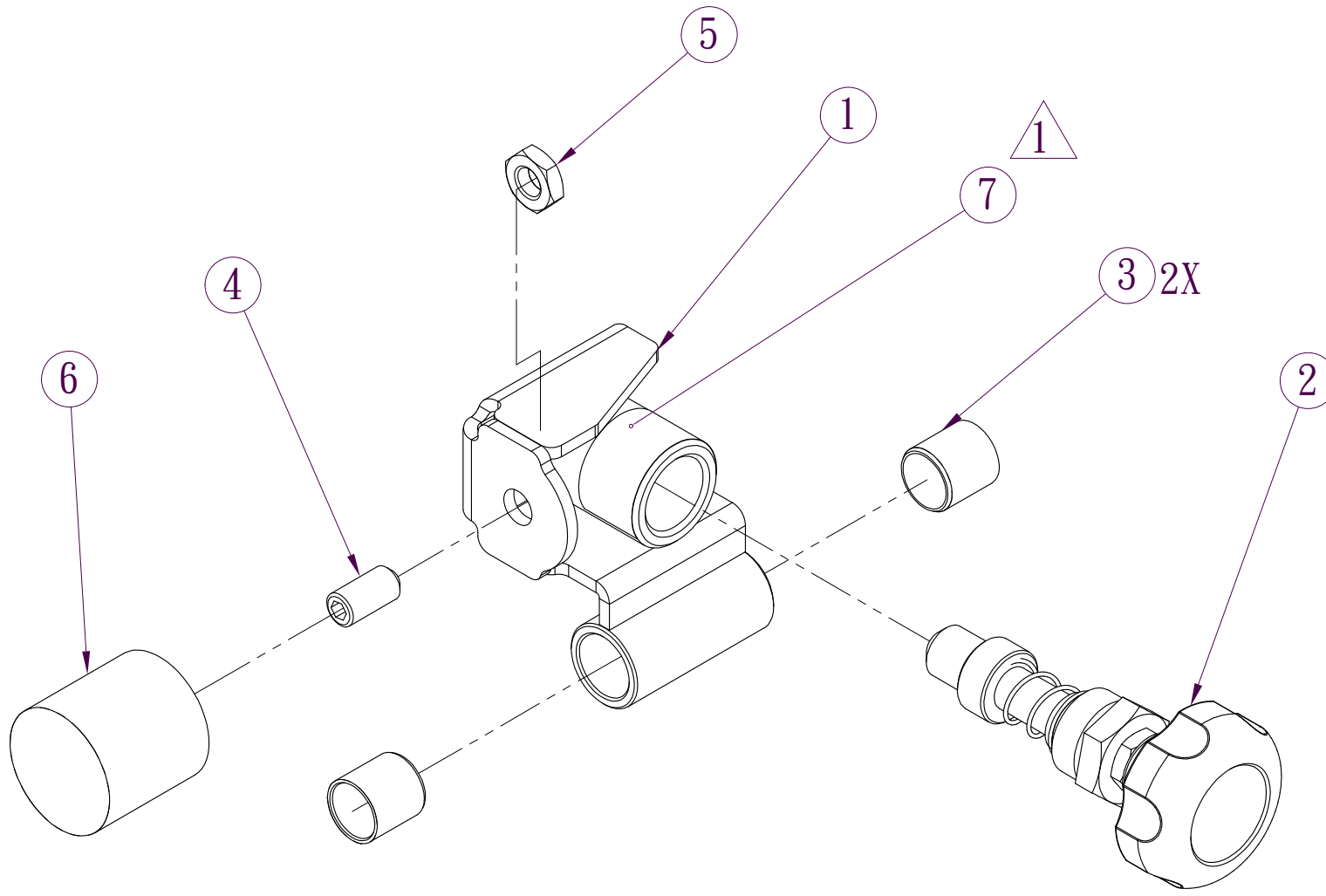
Item	PartNo	Description	Qty	
1	5935-01	Left Rail Assm, Jump	1	386-4-1900-000A
2	5954-01	SDR lock assembly	1	386-4-1600-000A
3	5727-01	Washer, Flat M6	3	603-3-0064-014A
4	5940-01	M6x12BHCS	1	386-6-2002-000A
5	5719-01	M6x16BHCS	2	659-1-0060-374A
6	5789-01	SBR Rail End Assml	1	364-3-1910-000A
7	5961-01	SDR shaft	1	386-6-1606-000A
8	5960-01	SDR Shaft End Blocks	1	386-6-1607-000A
9	5968-01	M6 x 25 SHCS	2	649-1-0060-21

Left Rail Assm, Jump 386-2-0001-000
SDR Lock Assm 386-4-1600-000
6/18/15

total gym PROPRIETARY AND CONFIDENTIAL
THE INFORMATION CONTAINED IN THIS
DRAWING IS THE SOLE PROPERTY OF
San Diego, CA 92128 et sports medicine. ANY REPRODUCTION
800 541 4900 IN PART OR AS A WHOLE WITHOUT THE
www.totalgym.com WRITTEN PERMISSION IS PROHIBITED.

SDR Lock Assy, Jump
 P/N 5954-01
 386-4-1600-000A 386-4-1600-000
 6/22/15

total gym PROPRIETARY AND CONFIDENTIAL
 THE INFORMATION CONTAINED IN THIS
 DRAWING IS THE SOLE PROPERTY OF
 7755 Arjons Drive, efi sports medicine. ANY REPRODUCTION
 San Diego, CA 92126 IN PART OR AS A WHOLE WITHOUT THE
 800 541 4900 WRITTEN PERMISSION IS PROHIBITED.
 www.totalgym.com



Item	PartNo	Description	Qty	Alt #
1	5955-01	SDR lock body	1	386-3-1600-000A
2	5956-01	SDR Threaded Pop-Pin	1	386-4-1604-000A
3	5959-01	Shaft Bushing ID13	2	386-6-1603-000A
4	5914-01	Socket Head Set Screw M8X1.25X16L	1	644-1-0080-01
5	5957-01	M8 Hex jam nut	1	651-2-0080-053
6	5965-01	Rubber Bumper 30Rx30L, M8F, Soft 50 Dur	1	362-6-1400-0002A
7			1	