



# Plasmafilter 350RK – 550RK - 650RK



Installation instructions EN  
Installationsanvisning DK  
Installationsanvisning SE  
Installasjonsanvisninger NO  
Asennusohjeet FI

## DEAR CUSTOMER

Congratulations on the purchase of your Witt Plasmafilter.

The Witt Plasmafilter is developed to improve indoor air quality and is compatible with all standard extractor hoods. The system cleans the indoor air of up to 98% of all odours and eliminates viruses, pollen, bacteria and allergy-triggering substances, including tobacco odours.

The air is purified through a physical and chemical process that changes the composition of the molecules in an efficient and safe way. The process works without added chemicals and without mechanical filtration, using only oxygen, a small amount of humidity and CO<sub>2</sub>.

No ozone is released in the process. The effectiveness and health compatibility have been proven by independent certifications, including VDE certification with ozone test, IUTA ozone test at the Energy and Environment Institute in Duisburg and OI-fasense certification for odour reduction.

All components are environmentally friendly, recyclable or made from recycled materials. The plasma filter system also protects the environment by consuming significantly less energy than traditional exhaust air systems, as heated (or cooled) indoor air is not blown out of the house but remains in the home.

### Features and benefits of the Witt Plasmafilter

The Witt Plasmafilter is designed for use in extractor hoods and is available in capacities from 350 to 650 m<sup>3</sup>/h – depending on the model. The system can also be customised for individual installation needs and special solutions.

The plasma filter is designed with user-friendliness and easy installation in mind. It is quick and easy to install (plug & play), can be retrofitted to existing extractor hoods and has a compact and lightweight design.

The filter can be installed horizontally and vertically and is supported by an excessive range of accessories.

The system is also energy efficient and requires no maintenance whatsoever. It features low energy consumption, automatic switch-on and switch-off and a self-cleaning filter system. The economic benefit is that no filter replacement is necessary and no external exhaust air system is required.

The products are made in Germany and come with a 5-year warranty.

The filter material is of the highest quality – the carbon particles of a single filter would cover the area of a football field if rolled out.

## TABLE OF CONTENTS

IMPORTANT SAFETY INSTRUCTIONS .....	4
WARNINGS AND INSTALLATION INSTRUCTIONS .....	5
OPERATING INSTRUCTIONS .....	10
MAINTENANCE .....	11
TROUBLESHOOTING .....	11
DISPOSAL .....	11
WARRANTY .....	12
SERVICE .....	13

## IMPORTANT SAFETY INSTRUCTIONS

---

- Only use the Witt Plasmafilter with standard extractor hoods with grease filters that have fire-retardant properties.
- Always ensure good ventilation so that there is sufficient oxygen in the room air. Follow the instructions in the user manual for the extractor hood.
- Do not insert any objects into the filter module under any circumstances! There is a risk of electric shock! Always disconnect the power plug before working on the module!
- Do not touch the filter module with wet hands or objects.
- Blocking the air inlet and air outlet must be avoided at all costs. If necessary, disconnect the power plug!
- If the module shows any signs of damage, it must not be used under any circumstances!
- Persons with reduced physical, sensory or mental capabilities and children aged 8 years and above may only use the product under the supervision of a person qualified to do so.
- The product must not be used as a toy for children!
- Cleaning or maintenance work must not be carried out by children without the supervision of a competent person!
- Please observe the installation instructions and warnings for your extractor hood.
- The Witt Plasmafilter has been designed exclusively for use in private households!
- Avoid high flames and flambéing under the extractor hood – this poses a fire hazard and can cause considerable damage.
- Overheated oil also poses a potential fire hazard. Never extinguish with water!
- Carbon monoxide or other chemical gases cannot be removed by the Witt Plasmafilter.

## WARNINGS AND INSTALLATION INSTRUCTIONS

---

- The Witt Plasmafilter may only be connected using the cable plug supplied with the unit! (Warranty)
- If the power cable is damaged, the product must be returned to the dealer/manufacturer for scrapping.
- Carefully unpack the product, check that all parts are there and that the device is undamaged.
- Keep the packaging until you have checked that the device is working properly and then dispose of it in an environmentally friendly manner.
- Please observe the installation instructions and follow them step by step.
- Check the connection between the Witt Plasmafilter and the motor outlet for tightness to prevent air leaks.
- Check that the mains plug is and remains freely accessible after installation.
- The integrated power cable cannot and must not be replaced.
- Failure to follow the installation instructions will make the warranty void with immediate effect.
- All plasma filters are plug-in products and must be installed according to the instructions.
- Power supply should be provided by a nearby socket (210-250 V / 50 Hz).
- Any small black particles in the packaging originate from the high-performance carbon filter. They are harmless and can be disposed of with household waste. Do not consume!
- Only operate the device with the supplied power cable.

### **Important:**

Remove any one-way valves/return dampers in the hood before installing the plasma filter to avoid noise nuisance.

## INSTALLATION INSTRUCTIONS

### Package contents

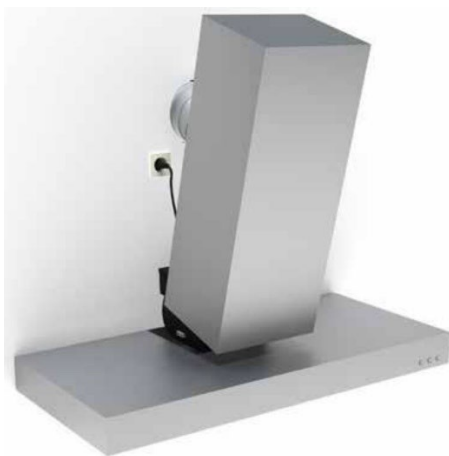
- A | Witt Plasmafilter
- B | Triple plug
- C | Eccentric adapter
- D | Hose clamp



The Witt Plasmafilter is to be placed directly on the extractor hood motor outlet. This filter system transforms your extractor hood into an air purification unit that removes up to 98% of all odours, viruses and bacteria.

### Installation – step by step:

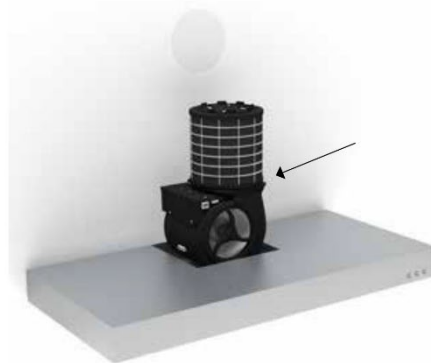
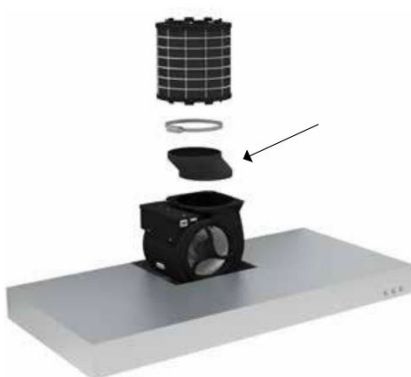
1. Remove the chimney shaft and disconnect the hood from the power supply.



2. Remove the exhaust air hose or carbon filter and close the exhaust air hole if necessary.



3. If using the adapter (C), place it on the motor exhaust air connector. Place the Witt Plasmafilter (A) on the either on the connector or on the adapter.

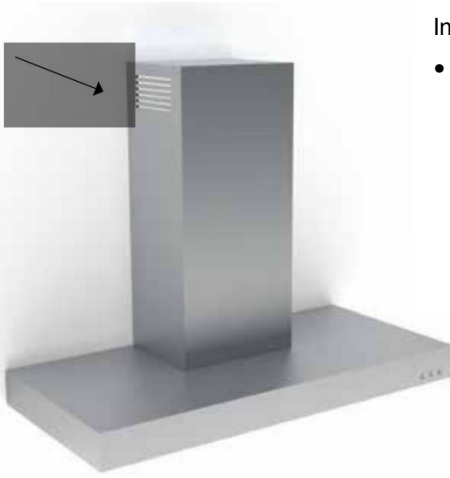


4. Connect the extractor hood plug and the Witt Plasmafilter to the triple plug (B).



5. Reinstall the chimney shaft on the hood.





#### Important installation note

- Make sure that there are sufficient ventilation slots in the chimney shaft to allow the purified recirculation air to be led back into the room.

## OPERATING INSTRUCTIONS

---

### **THE FOLLOWING OPERATING WARNINGS MUST BE FOLLOWED AND OBSERVED:**

**IMPORTANT:** To fully utilise the extractor hood and plasma filter and to ensure that the air in the room is properly cleaned, it is **VERY** important to ventilate the room well. The following instructions MUST be followed. Otherwise, the filter's purifying function will be permanently destroyed, and you will find that the filter will emit bad odours. Furthermore, the warranty on the filter will be void.

10 minutes before cooking, switch on the extractor hood. Set the to speed 1 or 2.

After cooking, let the extractor hood run for an additional 15 minutes\* to properly purify the air in the room.

\*The exact time depends on the size of the room (width x length x height).

Witt recommends 15 min. per 50m<sup>3</sup>.

For every 50 m<sup>3</sup>, you should vent the room for 15 minutes after finishing cooking.

**Note:** Double the ventilation time when using a grill pan or deep fryer. Ventilation is essential for recirculation.

With the Witt Plasmafilter, your extractor hood becomes an air purifier at the lowest speed, suitable for removing not only kitchen odours and vapours, but also any type of unpleasant odours, allergens, bacteria and indoor viruses.

## MAINTENANCE

---

When installed properly according to the installation instructions, the Witt Plasmafilter requires no maintenance.

The plasma filter automatically starts the automated cleaning process as soon as it is in operation. However, please ensure that the grease filter of your extractor hood is cleaned regularly and is free of grease.

## TROUBLESHOOTING

---

Always read the extractor hood operating instructions carefully before installation.

If the plasma filter does not start up properly, please check the following:

- that the power supply is working (check the socket or connect another device)
- that the plug is firmly inserted into the socket

If odours persist in the room after cooking, check that the hood has been switched on for sufficient time before and after cooking. For larger room volumes, longer run-on time may be required.

A slight metallic odour may occur if the extractor hood capacity exceeds the recommended airflow of the plasma filter. This is harmless and can be minimised by reducing motor speed.

## DISPOSAL

---

Please dispose of packaging in an environmentally friendly manner.

Witt Plasmafilter complies with the EU Waste Electrical and Electronic Equipment (WEEE) directives. All components are recyclable and the packaging can be reused.

## WARRANTY

---

Your new product is covered by a 5-year warranty on manufacturing and material defects from the documented date of purchase. The warranty includes materials and labour. When requesting service, please provide the product name and serial number. This information can be found on the data plate. You can write down the information down in these operating instructions to have it at hand. This makes it easier for the service technician to find the right spare parts.

### **The warranty does not cover:**

- Defects and damage not caused by manufacturing and material defects
- If non-original spare parts have been used
- If the instructions in the operating instructions have not been followed
- If the installation has not been done as instructed
- If non-professionals have installed or repaired the product
- Batteries or other wearing parts

### **Transport damage**

Any transport damage found upon delivery by the dealer to the customer is solely a matter between the customer and the dealer. In cases where the customer is responsible for the transport of the product, the supplier assumes no liability for any transport damage. Any transport damage must be reported immediately and no later than 24 hours after delivery of the product. Otherwise, the customer's claim will be rejected.

### **Unwarranted service**

If the product is sent for service and it turns out that the defect could have been corrected by following the instructions in these operating instructions, the service will be payable by the customer.

### **Commercial purchase**

A commercial purchase is any purchase of appliances that are not intended for use in a private household but are used for business or business-like purposes (restaurant, café, canteen, etc.), or are used for rental or other applications involving multiple users. For commercial purchases, no warranty is provided as this product is intended for general household use only.

## SERVICE

---

To request service and spare parts in Denmark, contact the store where the product was purchased.

Complaints can also be reported on [witt.dk](http://witt.dk) under the 'Service' tab.

No legal claims can be derived from printing or spelling errors!

The manufacturer/distributor cannot be held responsible for product damage and/or personal injury if safety instructions are not followed. The warranty will be void if the instructions are not followed.

## KÆRE KUNDE

Tillykke med købet af Witt Plasmafilter.

Witt Plasmafilter er udviklet til forbedring af indeklimaet og er kompatibelt med alle gængse emhætter. Systemet renser luften for op til 98 % af alle lugte samt reducerer vira, pollen, bakterier og andre allergifremkaldende partikler – herunder tobaksrøg.

Luftrensningen sker gennem en fysisk og kemisk proces, der ændrer molekylernes sammensætning på en effektiv og sikker måde. Processen foregår uden tilsatte kemikalier og uden mekanisk filtrering og anvender udelukkende oxygen, en mindre mængde luftfugtighed og CO<sub>2</sub>.

Der dannes ingen ozon under processen. Effekt og sundhedsmæssig sikkerhed er dokumenteret gennem uafhængige certificeringer, herunder VDE-certificering med ozontest, IUTA-ozontest ved Energy and Environment Institute i Duisburg samt olfasense-certificering for lugtreduktion.

Alle komponenter er miljøvenlige, genanvendelige eller fremstillet af genbrugsmaterialer. Plasmafiltersystemet bidrager samtidig til lavere energiforbrug, da opvarmet (eller nedkølet) rumluft ikke ledes ud af boligen som ved traditionelle udsugningssystemer, men forbliver i hjemmet.

Egenskaber og fordele ved Witt plasmafilter

Witt plasmafilter er udviklet til brug i emhætter og fås i kapaciteter fra 350 til 650 m<sup>3</sup>/t – afhængig af model. Systemet kan desuden tilpasses individuelle installationsbehov og specialløsninger.

Plasmafilteret er konstrueret med fokus på brugervenlighed og nem montering. Det installeres hurtigt efter plug & play-princippet, kan eftermonteres på eksisterende emhætter og har et kompakt og let design.

Filtret kan monteres både horisontalt og vertikalt og understøttes af et bredt udvalg af tilbehør.

Systemet er samtidig energieffektivt og fuldstændig vedligeholdelsesfrit. Det har lavt energiforbrug, automatisk tænd/sluk-funktion og et selvrensende filtersystem. Den økonomiske fordel består i, at der ikke kræves filterudskiftning, og at der ikke er behov for ekstern udsugning.

Produkterne er fremstillet i Tyskland og leveres med 5 års garanti.

Filtermaterialet er af højeste kvalitet – kulpartiklerne i ét enkelt filter svarer i udfoldet form til et areal på størrelse med en fodboldbane.

## TABLE OF CONTENTS

VIGTIGE SIKKERHEDSANVISNINGER .....	16
ADVARSLER OG INSTALLATIONSANVISNING .....	17
BRUGSANVISNING .....	22
VEDLIGEHOELSE .....	23
PROBLEMLØSNING .....	23
BORTSKAFFELSE .....	23
REKLAMATION .....	24
SERVICE .....	25

## VIGTIGE SIKKERHEDSANVISNINGER

---

- Brug kun Witt Plasmafilter sammen med emhætter, der er udstyret med fedtfiltere med brandhæmmende egenskaber.
- Sørg altid for god udluftning, så der er tilstrækkeligt med ilt i rummet. Følg anvisningerne i brugsanvisningen til emhætten.
- Indfør aldrig genstande i filtermodulet – der er risiko for elektrisk stød. Afbryd altid strømforsyningen, før der udføres arbejde på enheden.
- Berør ikke filtermodulet med våde hænder eller genstande.
- Luftindtag og -udgang må under ingen omstændigheder blokeres. Afbryd strømmen ved behov.
- Brug ikke plasmafilteret, hvis der konstateres skader på enheden.
- Personer med nedsatte fysiske, sensoriske eller mentale evner samt børn fra 8 år må kun anvende produktet under opsyn.
- Produktet må ikke anvendes som legetøj.
- Rengøring og vedligeholdelse må ikke udføres af børn uden opsyn.
- Overhold altid emhættens installations- og sikkerhedsanvisninger.
- Witt Plasmafilter er udelukkende beregnet til privat husholdningsbrug.
- Undgå høje flammer og flambering under emhætten – dette udgør brandfare og kan forårsage alvorlige skader.
- Overophedet olie udgør brandrisiko og må aldrig slukkes med vand.
- Kulilte og andre kemiske gasser kan ikke fjernes af Witt Plasmafilter.

## ADVARSLER OG INSTALLATIONSANVISNING

---

- Witt Plasmafilter må kun tilsluttes med det medfølgende strømkabel (betingelse for garanti).
- Hvis strømkablet beskadiges, skal produktet kasseres og returneres til forhandler eller producent.
- Pak produktet forsigtigt ud, kontroller at alle dele er til stede, og at enheden er ubeskadiget.
- Gem emballagen indtil funktionskontrol er udført, og bortskaf den herefter miljøvenligt.
- Følg installationsanvisningen trin for trin.
- Sørg for, at forbindelsen mellem Witt Plasmafilter og motorens luftudgang er helt tæt, så der ikke opstår luftlækage.
- Stikkontakten skal forblive let tilgængelig efter installation.
- Det integrerede strømkabel må ikke udskiftes.
- Manglende overholdelse af monteringsanvisninger medfører øjeblikkeligt bortfald af garantien.
- Alle plasmafiltre er plug-in-produkter og skal installeres i henhold til vejledningen.
- Strømforsyning: 210–250 V / 50 Hz via nærliggende stikkontakt.
- Eventuelle små sorte partikler i emballagen stammer fra kulfiltermaterialet. De er ufarlige, påvirker ikke funktionen og kan bortskaffes som husholdningsaffald. Må ikke indtages.
- Enheden må kun anvendes med det medfølgende strømkabel.

### **Vigtigt:**

Fjern eventuelle kontraventiler/returspjæld i emhætten før montering af plasmafilteret for at undgå støjgener.

## INSTALLATIONSANVISNING

### Pakkens indhold

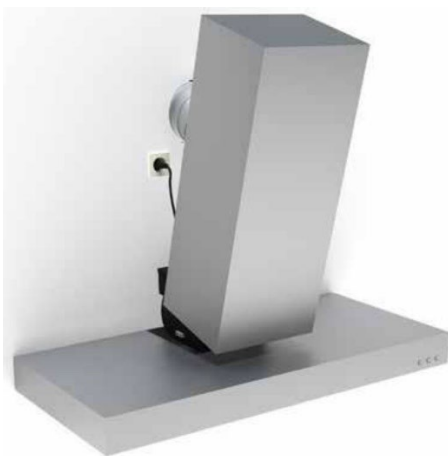
- A | Witt Plasmafilter
- B | Dobbeltstik
- C | Adapter
- D | Spændebånd



Witt Plasmafilter placeres direkte på emhættens motorudgang. Med dette filtersystem omdannes emhætten til et effektivt luftrensningssystem, der fjerner op til 98 % af alle lugte samt reducerer bakterier og vira.

### Installation – trin for trin:

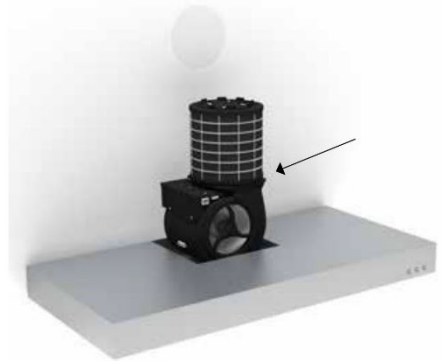
1. Afmonter emhættens skorsten og afbryd strømforsyningen.



2. Fjern aftræksslagen eller kulfilteret. Luk eventuelt udsugningshullet.



3. Hvis adapteren (C) anvendes, placeres den på motorens udsugningsstuds. Monter herefter Witt Plasmafilter (A) enten direkte på studsene eller adapteren.

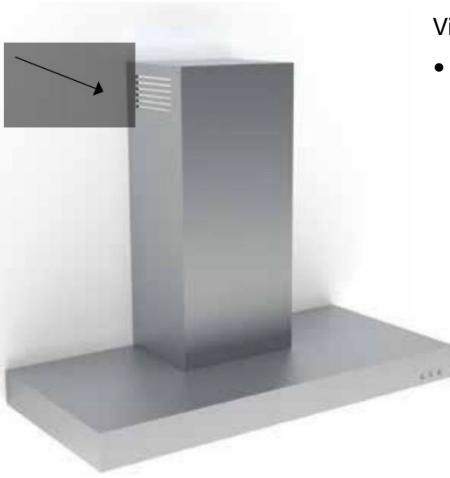


- 4. Tilslut både emhættens stik og Witt Plasmafilter til dobbeltstikket (B)



- 5. Genmonter emhættens skorsten.





#### Vigtig montagebemærkning

- Sørg for, at der er tilstrækkelige ventilationsåbninger i emhættens skorsten, så den rensede recirkulationsluft kan ledes tilbage i rummet.

## BRUGSANVISNING

---

### FØLGENDE BETJENINGSADVARSLER SKAL FØLGES OG OVERHOLDES:

VIGTIGT!: For fuld udnyttelse af emhætte og plasmafilter og for at være sikker på, at luften i rummet renses ordentligt, er det MEGET vigtigt at ventilere rummet godt. Følgende vejledning SKAL følges. I modsat fald ødelægges filterets rensende funktion permanent og man vil opleve, at filteret afgiver dårlig lugt. Ydermere bortfalder garantien på filteret.

10 minutter før tilberedning, skal du tænde for emhætten. Indstil den til hastighed 1 eller 2.

Efter tilberedning skal emhætten køre i yderligere 15 minutter\* for at rense luften i rummet ordentligt.

\*Den nøjagtige tid afhænger af rummets størrelse (bredde x længde x højde).

Witt anbefaler 15 min. pr 50m<sup>3</sup>.

For hver 50 m<sup>3</sup> bør der udluftes 15 minutter efter endt madlavning.

Bemærk: Fordobl ventilationstiden, når du bruger grillpande eller friture. Ventilation er essentiel for recirkulation.

Med Witt Plasmafilter bliver din emhætte en luftrenser ved den laveste hastighed, ikke blot velegnet til at fjerne køkkenlugte og os, men også til at fjerne enhver type af ubehagelig lugt, allergifremkaldende stoffer, bakterier og indendørsvira.

## VEDLIGEHOJDELSE

---

Når Witt Plasmafilter er installeret korrekt i henhold til installationsanvisningen, kræver det ingen vedligeholdelse.

Plasmafilteret starter automatisk sin selvrensende proces, så snart det er i drift. Det er dog vigtigt, at emhættens fedtfilter rengøres regelmæssigt og holdes fri for fedt.

## PROBLEMLØSNING

---

Læs altid emhættens brugsanvisning grundigt inden installation.

Hvis plasmafilteret ikke starter korrekt, kontroller følgende:

- at strømforsyningen fungerer (kontrollér stikkontakten eller tilslut et andet apparat).
- at stikket sidder korrekt i stikkontakten.

Hvis der fortsat forekommer lugt i rummet efter madlavning, kontroller at emhætten har været tændt i tilstrækkelig tid før og efter tilberedning. Ved større rumvolumen kan længere efterløbstid være nødvendig.

En let metallisk lugt kan forekomme, hvis emhættens kapacitet overstiger plasmafilterets anbefalede luftmængde. Dette er ufarligt og kan reduceres ved lavere motorhastighed.

## BORTSKAFFELSE

---

Bortskaffelse af emballage bedes ske miljøvenligt.

Witt Plasmafilter overholder EU's direktiver for elektrisk og elektronisk affald (WEEE). Alle komponenter er genanvendelige, og emballagen kan genbruges.

## REKLAMATION

---

Der ydes 5 års reklamationsret på fabrikations- og materialefejl på dit nye produkt, gældende fra den dokumenterede købsdato. Garantien omfatter materialer og arbejdsløn. Ved henvendelse om service bør du oplyse produktets navn og serienummer. Disse oplysninger findes på typeskiltet. Skriv evt. oplysningerne ned her i brugsanvisningen, så du har dem ved hånden. Det gør det lettere for servicemontøren at finde de rigtige reservedele.

### Garantien dækker ikke:

- Fejl og skader, som ikke skyldes fabrikations- og materialefejl
- Hvis der er brugt uoriginale reservedele
- Hvis anvisningerne i brugsanvisningen ikke er fulgt
- Hvis ikke installationen er sket som anvist
- Hvis ikke-faglærte har installeret eller repareret produktet
- Batterier eller andre sliddele

### Transportskader

En transportskade, der konstateres ved forhandlerens levering hos kunden, er udelukkende en sag mellem kunden og forhandleren. I tilfælde, hvor kunden selv har stået for transporten af produktet, påtager leverandøren sig ingen forpligtelse i forbindelse med evt. transportskade. Evt. transportskader skal anmeldes omgående og senest 24 timer efter, at varen er leveret. I modsat fald vil kundens krav blive afvist.

### Ubegrundet service

Hvis produktet sendes til service, og det viser sig, at man selv kunne have rettet fejlen ved at følge anvisningerne her i brugsanvisningen, påhviler det kunden selv at betale for servicen.

### Erhvervskøb

Erhvervskøb er ethvert køb af apparater, der ikke skal bruges i en privat husholdning, men anvendes til erhverv eller erhvervslignende formål (restaurant, café, kantine etc.) eller bruges til udlejning eller anden anvendelse, der omfatter flere brugere. I forbindelse med erhvervskøb ydes ingen garanti, da dette produkt udelukkende er beregnet til almindelig husholdning.

## SERVICE

---

For rekvirering af service og reservedele i Danmark kontaktes den butik, hvor produktet er købt.

Anmeldelse af reklamation kan også ske på [witt.dk](http://witt.dk) under fanen 'Service'.

Forbehold for trykfejl.

Producenten/distributøren kan ikke holdes ansvarlig for produkt- og/eller personskader, hvis sikkerhedsanvisninger ikke overholdes. Garantien bortfalder hvis anvisningerne ikke overholdes.

## BÄSTA KUND

Grattis till ditt köp av Witt Plasmafilter.

Witt Plasmafilter är utvecklat för att förbättra inomhusklimatet och är kompatibelt med alla vanliga flätkåpor. Systemet renar luften från upp till 98 % av alla lukter och minskar virus, pollen, bakterier och andra allergiframkallande partiklar – inklusive tobaksrök.

Luftreningen sker genom en fysikalisk och kemisk process som förändrar molekylernas sammansättning på ett effektivt och säkert sätt. Processen sker utan tillsatta kemikalier och utan mekanisk filtrering och använder endast syre, en liten mängd luftfuktighet och koldioxid.

Inget ozon bildas under processen. Effektivitet och hälsosäkerhet dokumenteras genom oberoende certifieringar, inklusive VDE-certifiering med ozontestning, IUTA-ozontestning vid Institutet för energi och miljö i Duisburg och olfasense-certifiering för luktreducering.

Alla komponenter är miljövänliga, återvinningsbara eller tillverkade av återvunnet material. Plasmafiltersystemet bidrar också till lägre energiförbrukning, eftersom uppvärmd (eller kyld) rumsluft inte leds ut ur bostaden som med traditionella frånluftssystem, utan stannar kvar i bostaden.

Funktioner och fördelar med Witt Plasmafilter

Witt Plasmafilter är utvecklat för användning i flätkåpor och finns i kapaciteter från 350 till 650 m<sup>3</sup>/h – beroende på modell. Systemet kan även anpassas till individuella installationsbehov och speciallösningar.

Plasmafiltret är konstruerat med fokus på användarvänlighet och enkel montering. Det installeras snabbt enligt plug-and-play-principen, kan eftermonteras på befintliga flätkåpor och har en kompakt och lätt design.

Filtret kan monteras både horisontellt och vertikalt och stöds av ett brett utbud av tillbehör.

Samtidigt är systemet energieffektivt och helt underhållsfritt. Det har låg energiförbrukning, automatisk på/av-funktion och ett självrengörande filtersystem. Den ekonomiska fördelen är att inget filterbyte krävs och det finns inget behov av extern utsugning.

Produkterna tillverkas i Tyskland och levereras med fem års garanti.

Filtermaterialet är av högsta kvalitet – kolpartiklarna i ett enda filter motsvarar i utfälld form en yta lika stor som en fotbollsplan.

## INNEHÅLLSFÖRTECKNING

VIKTIGA SÄKERHETSANVISNINGAR.....	28
VARNINGAR OCH INSTALLATIONSANVISNINGAR .....	29
BRUKSANVISNING .....	34
UNDERHÅLL .....	35
PROBLEMLÖSNING .....	35
BORTSKAFFANDE .....	35
REKLAMATION .....	36
SERVICE .....	37

## VIKTIGA SÄKERHETSANVISNINGAR

---

- Använd endast Witt Plasmafilter med fläktkåpor utrustade med fettfilter med brandhämmande egenskaper.
- Se alltid till att ha god ventilation så att det finns tillräckligt med syre i rummet. Följ anvisningarna i bruksanvisningen för fläktkåpan.
- För aldrig in föremål i filtermodulen – det finns risk för elektriska stötar. Koppla alltid ifrån strömförsörjningen innan du utför något arbete på enheten.
- Vidrör inte filtermodulen med våta händer eller föremål.
- Luftintag och -utlopp får under inga omständigheter blockeras. Bryt strömmen vid behov.
- Använd inte plasmafiltret om det finns några skador på enheten.
- Personer med nedsatt fysisk, sensorisk eller mental förmåga och barn från 8 års ålder och uppåt får endast använda produkten under uppsikt.
- Produkten får inte användas som leksak.
- Rengöring och underhåll får inte utföras av barn utan uppsikt.
- Följ alltid installations- och säkerhetsanvisningarna för spiskåpan.
- Witt Plasmafilter är uteslutande avsett för privat användning i hushåll.
- Undvik höga lågor och flambering under fläktkåpan – detta utgör en brandfara och kan orsaka allvarliga skador.
- Överhettad olja utgör en brandrisk och får aldrig släckas med vatten.
- Kolmonoxid och andra kemiska gaser kan inte avlägsnas med Witt Plasmafilter.

## VARNINGAR OCH INSTALLATIONSANVISNINGAR

---

- Witt Plasmafilter får endast anslutas med den medföljande strömkabeln (villkor för garanti).
- Om strömkabeln skadas måste produkten kasseras och returneras till återförsäljaren eller tillverkaren.
- Packa försiktigt upp produkten, kontrollera att alla delar finns med och att enheten är oskadad.
- Spara förpackningen tills funktionskontroll har utförts och bortskaffa den sedan på ett miljövänligt sätt.
- Följ installationsanvisningarna steg för steg.
- Se till att anslutningen mellan Witt Plasmafilter och motorns luftutlopp är helt tät så att inget luftläckage uppstår.
- Eluttaget måste vara lättåtkomligt efter installationen.
- Den integrerade strömkabeln får inte bytas ut.
- Om installationsanvisningarna inte följs upphör garantin omedelbart att gälla.
- Alla plasmafilter är plug-in-produkter och måste installeras enligt anvisningarna.
- Strömförsörjning: 210–250 V/50 Hz via närliggande eluttag.
- Eventuella små svarta partiklar i förpackningen kommer från kolfiltermaterialet. De är ofarliga, påverkar inte funktionen och kan slängas med hushållsavfallet. Får inte förtäras.
- Enheten får endast användas med den medföljande strömkabeln.

### **Viktigt:**

Ta bort eventuella backventiler/returspjäll i fläktkåpan före montering av plasmafiltret för att undvika bullerstörningar.

## INSTALLATIONSANVISNINGAR

### Förpackningens innehåll

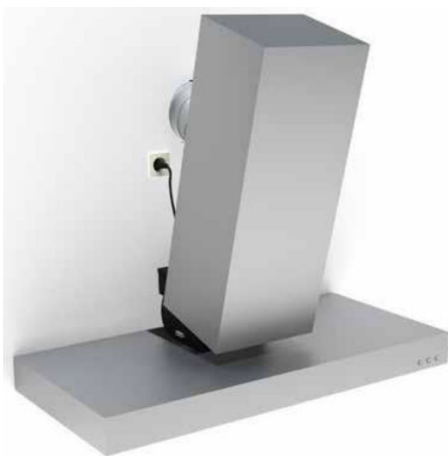
- A | Witt Plasmafilter
- B | Grenuttag
- C | Adapter
- D | Slangklämma



Witt Plasmafilter placeras direkt på fläktkåpans motorutlopp. Med detta filtersystem förvandlas fläkten till ett effektivt luftreningssystem som tar bort upp till 98 % av alla lukter och minskar förekomsten av bakterier och virus.

### Installation – steg för steg:

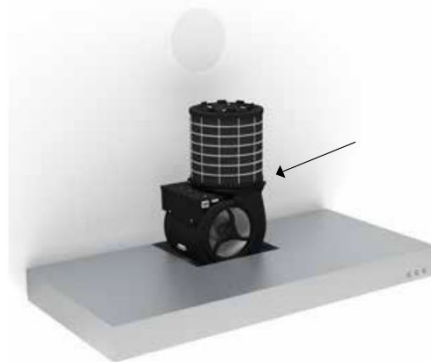
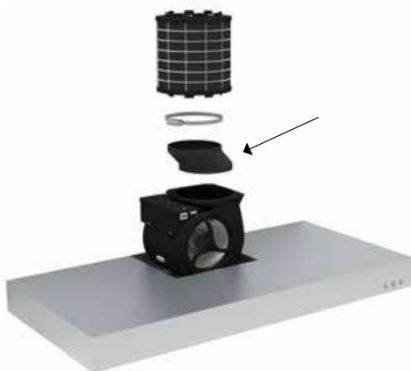
1. Montera av fläktens skorsten och koppla ifrån strömförsörjningen.



2. Ta bort frånluftsslängen eller kolfiltret. Stäng frånluftshålet vid behov.



3. Om adaptorn (C) används, placera den på motorns frånluftstos. Montera sedan Witt Plasmafilter (A) antingen direkt på stosen eller adaptorn.

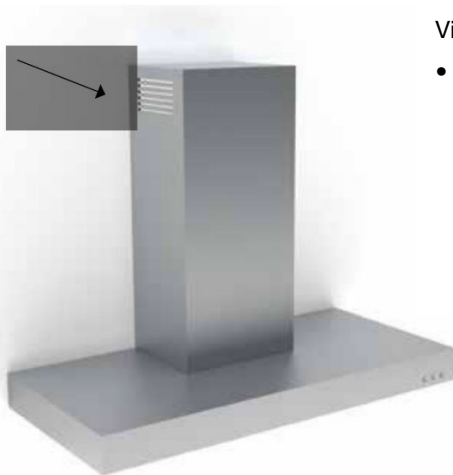


4. Anslut både fläktens stickkontakt och Witt Plasmafilter till grenuttaget (B).



5. Montera tillbaka fläktens skorsten.





#### Viktig monteringsanmärkning

- Se till att det finns tillräckligt med ventilationsöppningar i fläktens skorsten så att den reade återcirkulationsluften kan ledas tillbaka in i rummet.

## BRUKSANVISNING

---

### **FÖLJANDE DRIFTSVARNINGAR MÅSTE FÖLJAS OCH EFTERLEVAS:**

**VIKTIGT!** För att utnyttja fläkten och plasmafiltret fullt ut och för att säkerställa att luften i rummet renas ordentligt är det **MYCKET** viktigt att säkerställa tillräcklig ventilation av rummet. Följande anvisningar MÅSTE följas. I annat fall kommer filtrets rengöringsfunktion att förstöras permanent och filtret kommer att avge en dålig lukt. Dessutom upphör garantin för filtret att gälla.

Slå på fläkten 10 minuter före tillagning. Ställ in den på hastighet 1 eller 2.

Efter tillagningen ska fläkten vara på i ytterligare 15 minuter\* för att rena luften i rummet ordentligt.

\*Den exakta tiden beror på rummets storlek (bredd x längd x höjd).

Witt rekommenderar 15 minuter per 50 m<sup>3</sup>.

För varje 50 m<sup>3</sup> bör ventilation utföras 15 minuter efter avslutad tillagning.

Observera! Fördubbla ventilationstiden när du använder grillpanna eller fritös. Ventilationen är helt avgörande för återcirkulation.

Med Witt Plasmafilter blir din köksfläkt en luftrenare på den lägsta hastigheten, som inte bara lämpar sig för att avlägsna kökslukter och matos utan också för att avlägsna alla typer av obehagliga lukter, allergiframkallande ämnen, bakterier och inomhusvirus.

## UNDERHÅLL

---

När Witt Plasmafilter installeras korrekt enligt installationsanvisningarna krävs inget underhåll.

Plasmafiltret startar automatiskt sin självrengörande process så snart det är i drift. Det är dock viktigt att fläktens fettfilter rengörs regelbundet och hålls fritt från fett.

## PROBLEMLÖSNING

---

Läs alltid bruksanvisningen till fläkten noggrant före installation.

Om plasmafiltret inte startar korrekt kontrollerar du följande:

- att strömförsörjningen fungerar (kontrollera eluttaget eller anslut en annan apparat).
- att stickkontakten är ordentligt isatt i eluttaget.

Om lukt kvarstår i rummet efter matlagning ska du kontrollera att fläkten har lämnats påslagen tillräckligt länge före och efter tillagningen. För större rumsvolymer kan en längre eftergångstid vara nödvändig.

En svag metallisk lukt kan uppstå om fläktens kapacitet överstiger plasmafiltrets rekommenderade luftflöde. Detta är ofarligt och kan minskas genom att sänka motorvarvtalet.

## BORTSKAFFANDE

---

Bortskaffa förpackningen på ett miljövänligt sätt.

Witt Plasmafilter uppfyller EU-direktivet om avfall från elektriska och elektroniska produkter (WEEE). Alla komponenter är återvinningsbara och förpackningarna kan återanvändas.

## REKLAMATION

---

Din nya produkt omfattas av fem års reklamationsrätt på tillverknings- och materialfel gällande från det dokumenterade inköpsdatumet. Garantin omfattar material och arbetslön. Vid kontakt angående service bör du uppge produktens namn och serienummer. Denna information finns på typskylten. Anteckna eventuellt denna information här i bruksanvisningen, så att du har den nära till hands. Det gör det lättare för servicemontören att hitta lämpliga reservdelar.

### Garantin omfattar inte:

- fel och skador som inte är tillverknings- och materialfel
- om det har använts reservdelar som inte är originaldelar
- om anvisningarna i bruksanvisningen inte följts
- om installationen inte har utförts enligt anvisningarna
- om andra än fackpersoner har installerat eller reparerat produkten
- batterier eller andra förbrukningsdelar.

### Transportskador

En transportskada som konstateras vid återförsäljarens leverans hos kunden är uteslutande en sak mellan kunden och återförsäljaren. I de fall då kunden själv har stått för transporten av produkten åtar sig leverantören inga skyldigheter i samband med eventuell transportskada. Eventuella transportskador måste anmälas omgående och senast 24 timmar efter att varan levererats. I annat fall kommer kundens krav att avvisas.

### Ogrundad service

Om produkten lämnas in för service och det visar sig att man hade kunnat avhjälpa felet själv genom att följa anvisningarna i denna bruksanvisning, åligger det kunden att själv betala för servicen.

### Kommersiella inköp

Kommersiella inköp är köp av apparater som inte ska användas i privata hushåll utan för kommersiella eller affärsliknande ändamål (restaurang, kafé, matsal osv.) eller för uthyrning eller annan användning som omfattar flera användare. I samband med kommersiella inköp lämnas ingen garanti eftersom denna produkt uteslutande är avsedd för vanliga hushåll.

## SERVICE

---

För serviceförfrågan och reservdelar i Sverige kontaktas den butik där produkten är inköpt.

Anmälan om reklamation kan också ske på [wittsverige.se](http://wittsverige.se) under fliken "Service".

Med reservation för tryckfel.

Tillverkaren/återförsäljaren kan inte hållas ansvarig för produkt- och/eller personsador om säkerhetsanvisningarna inte följs. Garantin upphör att gälla om anvisningarna inte följs.

## KJÆRE KUNDE

Gratulerer med kjøpet av Witt Plasmafilter.

Witt Plasmafilter er designet for å forbedre inneklimatet og er kompatibelt med alle vanlige ventilatorer. Systemet renser luften for opptil 98 % av alle lukter, samt reduserer virus, pollen, bakterier og andre allergifremkallende partikler – herunder tobakksrøyk.

Luftrensningen skjer gjennom en fysisk og kjemisk prosess som endrer molekylenes sammensetning på en effektiv og sikker måte. Prosessen foregår uten tilsatte kjemikalier og uten mekanisk filtrering og bruker utelukkende oksygen, en mindre mengde luftfuktighet og CO<sub>2</sub>.

Det dannes ingen ozon under prosessen. Effekt og helsemessig sikkerhet er dokumentert gjennom uavhengige sertifiseringer, herunder VDE-sertifisering med ozontest, IUTA-ozontest ved Energy and Environment Institute i Duisburg samt olfasense-sertifisering for luktreduksjon.

Alle komponenter er miljøvennlige, gjenbrukbare eller fremstilt av gjenbruksmaterialer. Plasmafiltersystemet bidrar samtidig til lavere energiforbruk, da oppvarmet (eller nedkjølt) romluft ikke ledes ut av boligen som ved tradisjonelle utsugingsystemer, men forblir i hjemmet.

Egenskaper og fordeler ved Witt Plasmafilter

Witt Plasmafilter er utviklet for bruk i ventilatorer og fås i kapasiteter fra 350 til 650 m<sup>3</sup>/t – avhengig av modell. Systemet kan dessuten tilpasses individuelle installasjonsbehov og spesialløsninger.

Plasmafilteret er konstruert med fokus på brukervennlighet og enkel montering. Det installeres raskt etter plug & play-prinsippet, kan ettermonteres på eksisterende ventilatorer og har et kompakt og lett design.

Filteret kan monteres både horisontalt og vertikalt, og understøttes av et bredt utvalg av tilbehør.

Systemet er samtidig energieffektivt og fullstendig vedlikeholdsfritt. Det har lavt energiforbruk, automatisk på/av-funksjon og et selvrensende filtersystem. Den økonomiske fordelene består i at det ikke kreves filterutskifting, og at det ikke er behov for ekstern utsuging.

Produktene er fremstilt i Tyskland og leveres med 60 måneders garanti.

Filtermaterialet er av høyeste kvalitet – kullpartiklene i ett enkelt filter svarer i utfoldet form til et areal på størrelse med en fotballbane.

## INNHALDSFORTEGNELSE

VIKTIGE SIKKERHETSANVISNINGER .....	40
ADVARSLER OG INSTALLASJONSANVISNINGER .....	41
BRUKSANVISNING .....	46
VEDLIKEHOLD .....	47
PROBLEMLØSING .....	47
KASSERING .....	47
REKLAMASJON .....	48
SERVICE .....	49

## VIKTIGE SIKKERHETSANVISNINGER

---

- Bruk kun Witt Plasmafilter sammen med ventilatorer som er utstyrt med fettfiltre med brannhemmende egenskaper.
- Sørg alltid for god utlufting, slik at det er tilstrekkelig med oksygen i rommet. Følg anvisningene i bruksanvisningen til ventilatoren.
- Innfør aldri gjenstander i filtermodulen – det er risiko for elektrisk støt. Koble alltid fra strøm før det utføres arbeid på enheten.
- Berør ikke filtermodulen med våte hender eller gjenstander.
- Luftinntaket og -utgangen må under ingen omstendigheter blokkeres. Koble fra strømmen ved behov.
- Bruk ikke plasmafilteret hvis det konstateres skader på enheten.
- Personer med nedsatte fysiske, sensoriske eller mentale evner samt barn fra 8 år må kun bruke produktet under tilsyn.
- Produktet må ikke brukes som leketøy.
- Rengjøring og vedlikehold må ikke utføres av barn uten oppsyn.
- Overhold alltid ventilatorens installasjons- og sikkerhetsanvisninger.
- Witt Plasmafilter er utelukkende beregnet til privat husholdningsbruk.
- Unngå høye flammer og flambering under ventilatoren – dette utgjør brannfare og kan forårsake alvorlige skader.
- Overopphetet olje utgjør en brannrisiko og må aldri slukkes med vann.
- Karbondioksid og andre kjemiske gasser kan ikke fjernes av Witt Plasmafilter.

## ADVARSLER OG INSTALLASJONSANVISNINGER

---

- Witt Plasmafilter må kun kobles til med den medfølgende strømkabelen (betingelse for garanti).
- Hvis strømkabelen skades, må produktet kasseres og returneres til forhandleren eller produsenten.
- Pakk produktet forsiktig ut, kontroller at alle deler er til stede, og at enheten er uskadet.
- Oppbevar emballasjen frem til funksjonskontrollen er utført, og kasser den deretter miljøvennlig.
- Følg installasjonsanvisningene trinn for trinn.
- Sørg for at forbindelsen mellom Witt Plasmafilter og motorens luftutgang er helt tett, så det ikke oppstår luftlekkasje.
- Stikkontakten skal være lett tilgjengelig etter installasjonen.
- Den integrerte strømkabelen må ikke skiftes ut.
- Manglende overholdelse av monteringsanvisningene medfører øyeblikkelig at garantien bortfaller.
- Alle plasmafiltre er plug-in-produkter og må installeres i henhold til veiledningen.
- Strømforsyning: 210–250 V / 50 Hz via nærliggende stikkontakt.
- Eventuelle små sorte partikler i emballasjen stammer fra kullfiltermaterialet. De er ufarlige, påvirker ikke funksjonen og kan kasseres som husholdningsavfall. Må ikke inntas.
- Enheten må kun brukes med den medfølgende strømkabelen.

### **Viktig:**

Fjern eventuelle kontraventiler/returspjeld i ventilatoren før montering av plasmafilteret for å unngå støyplager.

## INSTALLASJONSANVISNINGER

### Pakkens innhold

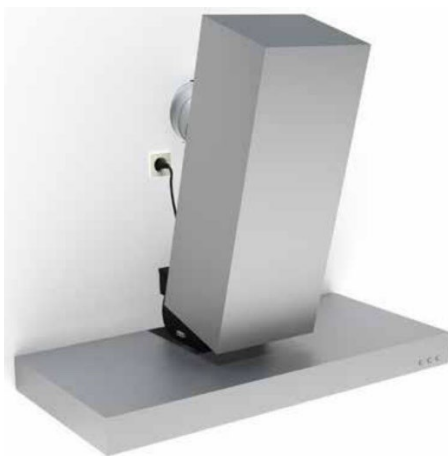
- A | Witt Plasmafilter
- B | Dobbel stikkontakt
- C | Adapter
- D | Spennebånd



Witt Plasmafilter plasseres direkte på ventilatorens motorutgang. Med dette filtersystemet omdannes ventilatoren til et effektivt luftrensesystem som fjerner opptil 98 % av alle lukter samt reduserer bakterier og virus.

### Installasjon – trinn for trinn:

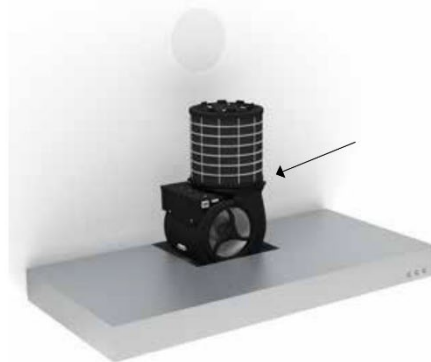
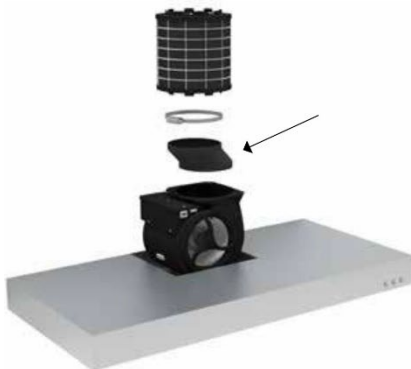
1. Avmonter ventilatorens skorstein, og koble fra strøm.



2. Fjern avtrekkslangen eller kullfilteret. Lukk eventuelt utsugingshullet.



3. Hvis adapteren (C) brukes, plasseres den på motorens utsugingsstuss. Monter deretter Witt Plasmafilter (A), enten direkte på stussen eller adapteren.

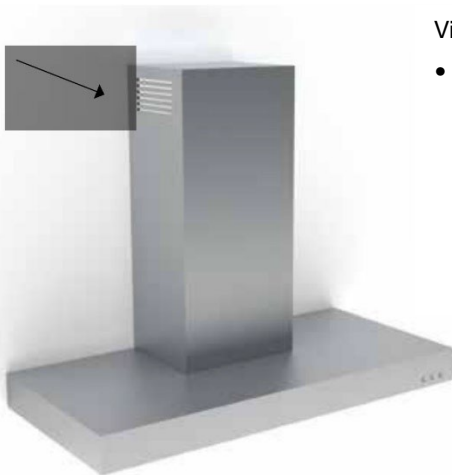


4. Koble til både ventilatorens plugg og Witt Plasmafilter til den doble stikkontakten (B)



5. Monter ventilatorens skorstein igjen.





#### Viktig merknad til monteringen

- Sørg for at det er tilstrekkelige ventilasjonsåpninger i ventilatorens skorstein, slik at den rensede resirkulasjonsluften kan ledes tilbake i rommet.

## BRUKSANVISNING

---

### FØLGENDE BETJENINGSADVARSLER MÅ FØLGES OG OVERHOLDES:

**VIKTIG!** For å utnytte ventilatoren og plasmafilteret fullt ut, og for å være sikker på at luften i rommet renses ordentlig, er det **VELDIG** viktig å ventilere rommet godt. Følgende veiledning MÅ følges. I motsatt fall ødelegges filterets rensende funksjon permanent, og man vil oppleve at filteret avgir dårlig lukt. I tillegg bortfaller garantien på filteret.

Slå på ventilatoren 10 minutter før tilberedning. Still den til hastighet 1 eller 2.

Etter tilberedning skal ventilatoren kjøre i ytterligere 15 minutter\* for å rense luften i rommet ordentlig.

\*Den nøyaktige tiden avhenger av rommets størrelse (bredde x lengde x høyde).

Witt anbefaler 15 min pr 50m<sup>3</sup>.

For hver 50 m<sup>3</sup> bør det luftes i 15 minutter etter endt matlaging.

Merk: Fordoble ventilasjonstiden når du bruker grillpanne eller friture. Ventilasjon er essensielt for resirkulasjon.

Med Witt Plasmafilter blir ventilatoren en luftrenser ved laveste hastighet. Det er ikke bare velegnet til å fjerne kjøkkenlukt og os, men også til å fjerne alle typer ubehagelig lukt, allergifremkallende stoffer, bakterier og virus.

## VEDLIKEHOLD

---

Når Witt Plasmafilter er installert korrekt i henhold til installasjonsanvisningene, kreves ingen vedlikehold.

Plasmafilteret starter automatisk sin selvrensende prosess så snart det er i drift. Det er likevel viktig at ventilatorens fettfilter rengjøres regelmessig og holdes fritt for fett.

## PROBLEMLØSING

---

Les alltid ventilatorens bruksanvisning grundig før installasjon.

Hvis plasmafilteret ikke starter korrekt, kontroller følgende:

- at strømforsyningen fungerer (kontroller stikkkontakten eller koble til et annet apparat).
- at stikkkontakten sitter korrekt i stikkkontakten.

Hvis det fortsatt forekommer lukt i rommet etter matlaging, kontroller at ventilatoren har vært på tilstrekkelig lenge før og etter tilberedning. Ved større romvolum kan det være nødvendig med lengre etterløpstid.

En lett metallisk lukt kan forekomme hvis ventilatorens kapasitet overstiger plasmafilterets anbefalte luftmengde. Dette er ufarlig og kan reduseres ved lavere motorhastighet.

## KASSERING

---

Kasser emballasjen på en miljøvennlig måte.

Witt Plasmafilter overholder EUs direktiver for elektrisk og elektronisk avfall (WEEE). Alle komponenter er gjenbrukbare, og emballasjen kan gjenbrukes.

## REKLAMASJON

---

Det gis 5 års reklamasjonsrett på fabrikasjons- og materialfeil på ditt nye produkt, gjeldende fra den dokumenterte kjøpsdatoen. Garantien omfatter materialer og arbeidslønn. Ved servicehenvendelser må du oppgi produktets navn og serienummer. Disse opplysningene finnes på typeskiltet. Skriv eventuelt ned opplysningene her i bruksanvisningen, slik at du har dem lett tilgjengelig. Det gjør det lettere for servicemontøren å finne de riktige reservedelene.

### Garantien dekker ikke:

- feil og skader som ikke skyldes fabrikasjons- og materialfeil
- hvis det er brukt uoriginale reservedeler
- hvis anvisningene i brukerveiledningen ikke er fulgt
- hvis ikke installasjonen har skjedd som anvist
- hvis ikke-faglærte har installert eller reparert produktet
- for batterier eller andre slitedeler

### Transportskader

En transportskade som konstateres ved forhandlerens levering hos kunden, er utelukkende en sak mellom kunden og forhandleren. I tilfelle hvor kunden selv har stått for transporten av produktet, påtar leverandøren seg ingen forpliktelse i forbindelse med eventuell transportskade. Eventuelle transportskader må varsles omgående og senest 24 timer etter at varen er levert. I motsatt fall vil kundens krav bli avvist.

### Ubegrunnet service

Hvis produktet sendes til service, og det viser seg at man selv kunne ha rettet feilen ved å følge anvisningene i denne bruksanvisningen, påhviler det kunden selv å betale for servicen.

### Næringskjøp

Næringskjøp er ethvert kjøp av apparater som ikke skal brukes i en privat husholdning, men benyttes til næring eller næringsliknende formål (restaurant, kafé, kantine osv.) eller brukes til utleie eller annen bruk som omfatter flere brukere. I forbindelse med næringskjøp ytes ingen garanti, da dette produktet utelukkende er beregnet til vanlig husholdning.

## SERVICE

---

For rekvirering av service og reservedeler i Danmark kontaktes den butikken hvor produktet er kjøpt.

Registrering av reklamasjon kan også skje på witt.no under fanen «Service».

Med forbehold om trykkfeil.

Produsenten/distributøren kan ikke holdes ansvarlig for produkt- og/eller personskafer hvis sikkerhetsanvisninger ikke overholdes. Garantien bortfaller hvis anvisningene ikke overholdes.

## HYVÄ ASIAKAS

Onnittelut Witt-plasmasuodattimen ostosta.

Witt-plasmasuodatin parantaa sisäilman laatua, ja se on yhteensopiva kaikkien tavallisten liesituulettimien kanssa. Järjestelmä puhdistaa ilmasta jopa 98 prosenttia hajuista ja vähentää virusten, siitepölyn, bakteerien ja tupakansavun kaltaisten muiden allergisoivien hiukkasten määrää.

Ilma puhdistetaan fysikaalisella ja kemiallisella prosessilla, joka muuttaa molekyylien koostumusta tehokkaasti ja turvallisesti. Prosessi toimii ilman lisättyjä kemikaaleja ja mekaanista suodatusta, sillä siinä käytetään ainoastaan happea, pientä määrää kosteutta ja hiilidioksidia.

Prosessissa ei muodostu otsonia. Tuotteen tehokkuuden ja terveysturvallisuuden todistavat riippumattomat sertifikaatit, kuten otsonitestin sisältävä VDE-sertifiointi, Duisburgin energia- ja ympäristöinstituutin IUTA-otsonitesti ja hajun vähentämistä koskeva olfasense-sertifiointi.

Kaikki tuotteen osat ovat ympäristöystävällisiä, kierrätettäviä tai kierrätysmateriaaleista valmistettuja. Plasmasuodatinjärjestelmä alentaa lisäksi energiankulutusta, koska lämmitettyä (tai jäädytettyä) huoneilmaa ei johdeta ulos asunnosta, kuten perinteisissä poistojärjestelmissä, vaan se pysyy asunnossa.

Witt-plasmasuodattimen ominaisuudet ja edut

Witt-plasmasuodattimet on suunniteltu käytettäväksi liesituulettimissa, ja niiden kapasiteetti on mallista riippuen 350–650 m<sup>3</sup>/h. Järjestelmä voidaan myös mukauttaa yksilöllisiä asennustarpeita ja erityisratkaisuja varten.

Plasmasuodatin on suunniteltu käyttäjäystävälliseksi ja helpoksi asentaa. Suodattimen asennus on nopea, ja se on heti käyttövalmis. Se voidaan asentaa yleisimpiin liesituulettimiin, ja sen rakenne on kompakti ja kevyt.

Suodatin voidaan asentaa sekä vaaka- että pystyasentoon, ja sille on saatavilla laaja valikoima lisävarusteita.

Järjestelmä on energiatehokas ja täysin huoltovapaa. Sen energiankulutus on alhainen, ja siinä on automaattinen käynnistys- ja sammutustoiminto sekä itsepuhdistuva suodatinjärjestelmä. Taloudellista hyötyä syntyy siitä, että suodatinta ei tarvitse vaihtaa eikä ilmanpoistoa tarvita.

Tuotteet on valmistettu Saksassa, ja niillä on viiden (5) vuoden takuu.

Suodatinmateriaali on korkealaatuista. Yksittäisen suodattimen hiilihiukkaset vastaavat tasaiseksi levitettyinä jalkapallokentän kokoista aluetta.

## SISÄLLYSLUETTELO

TÄRKEITÄ TURVALLISUUSOHJEITA .....	52
VAROITUKSET JA ASENNUSOHJEET .....	53
KÄYTTÖOHJEET .....	58
KUNNOSSAPITO.....	59
VIANMÄÄRITYS.....	59
HÄVITTÄMINEN.....	59
REKLAMAATIO.....	60
HUOLTO .....	61

## TÄRKEITÄ TURVALLISUUSOHJEITA

---

- Käytä Witt-plasmasuodatinta vain liesituulettimissa, joissa on palonsuojaominaisuuksin varustetut rasvasuodattimet.
- Huolehdi aina hyvästä ilmanvaihdosta, jotta huoneessa on riittävästi happea. Noudata liesituulettimen käyttöohjetta.
- Älä koskaan työnnä esineitä suodatinmoduuliin, sillä se voi aiheuttaa sähköiskun vaaran. Katkaise aina virransyöttö ennen yksikön käsittelyä.
- Älä koske suodatinmoduuliin märillä käsillä tai esineillä.
- Ilman sisään- ja ulostuloaukkoja ei saa tukkia. Katkaise tarvittaessa virta.
- Älä käytä plasmasuodatinta, jos laitteessa havaitaan vaurioita.
- Henkilöt, joiden fyysiset, henkiset tai aisteihin liittyvät kyvyt ovat alentuneet, sekä 8-vuotiaat ja sitä vanhemmat lapset saavat käyttää tuotetta vain valvottuina.
- Tuotetta ei saa käyttää leluna.
- Lapset eivät saa puhdistaa tai huoltaa laitetta ilman valvontaa.
- Noudata aina liesituulettimen asennus- ja turvallisuusohjeita.
- Witt-plasmasuodatin on tarkoitettu vain yksityiseen kotikäyttöön.
- Vältä korkeiden liekkiä tuottamista ja liekittämistä liesituulettimen alla, sillä se aiheuttaa palovaaran ja voi johtaa vakaviin vammoihin.
- Ylikuumentunut öljy muodostaa paloriskin, eikä sitä saa koskaan sammuttaa vedellä.
- Witt-plasmasuodatin ei poista hiilimonoksidia eli häkää tai muita kaasuja.

## VAROITUKSET JA ASENNUSOHJEET

---

- Witt-plasmasuodattimeen saa kytkeä vain mukana toimitetun virtajohdon (takuehto).
- Jos virtajohto on vaurioitunut, sitä ei saa käyttää. Palauta vaurioitunut johto jälleenmyyjälle tai valmistajalle.
- Pura tuote huolellisesti pakkauksesta ja tarkista, että kaikki osat ovat mukana ja että laite on vahingoittumaton.
- Säilytä pakkaus, kunnes laitteen toiminta on tarkastettu, ja hävitä se sen jälkeen ympäristöystävällisellä tavalla.
- Noudata asennusohjeita vaihe vaiheelta.
- Varmista, että Witt-plasmasuodattimen ja moottorin ilman ulostuloaukon välinen liitäntä on täysin tiivis ilmapuotojen estämiseksi.
- Pistorasiaan on päästävä helposti käsiksi asennuksen jälkeen.
- Integroitua virtajohtoa ei saa vaihtaa.
- Jos asennusohjeita ei noudateta, takuu raukeaa välittömästi.
- Kaikki plasmasuodattimet ovat liesituuletinten sisään asennettavia tuotteita, ja ne on asennettava ohjeiden mukaisesti.
- Virtalähde: 210–250 V / 50 Hz laitteen läheisyydessä olevan pistorasian kautta.
- Pakkauksessa olevat pienet mustat hiukkaset ovat peräisin hiilisuodatinmateriaalista. Ne ovat vaarattomia eivätkä vaikuta laitteen toimintaan, ja ne voidaan hävittää kotitalousjätteenä. Hiukkasia ei saa niellä.
- Käytä laitteessa vain mukana toimitettua virtajohtoa.

### **Tärkeää:**

Irrota liesituulettimen mahdolliset vasta- ja paluuventtiilit ennen plasmasuodattimen asentamista meluhaittojen välttämiseksi.

## ASENNUSOHJEET

### Pakkauksen sisältö

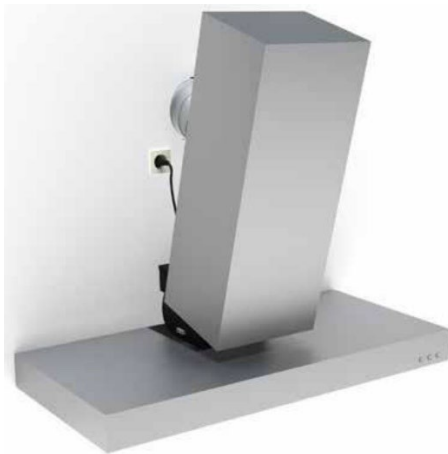
- A | Witt-plasmasuodatin
- B | Haaroituspistorasia
- C | Sovitin
- D | Kiristimet



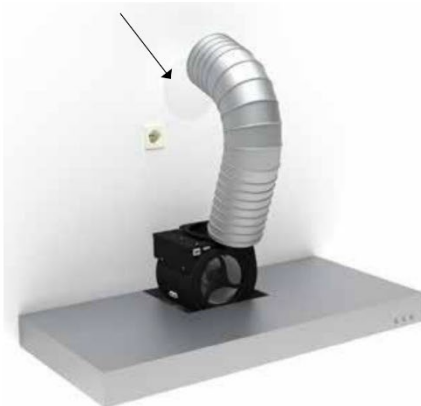
Witt-plasmasuodatin sijoitetaan suoraan liesituulettimen moottorin ulostuloaukkoon. Suodatinjärjestelmä muuttaa liesituulettimen tehokkaaksi ilmanpuhdistusjärjestelmäksi, joka poistaa jopa 98 prosenttia hajuista ja vähentää bakteerien ja virusten määrää ilmassa.

### Asennusvaiheet:

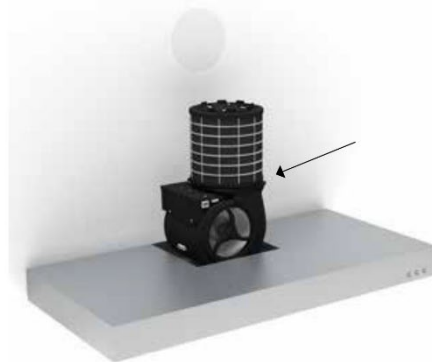
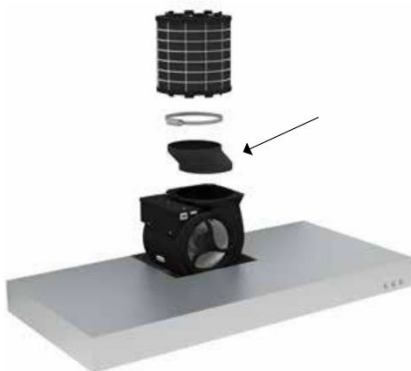
1. Irrota liesituulettimen kotelointi ja katkaise virransyöttö.



2. Irrota poistoletku tai hiilisuodatin. Sulje poistoaukko tarvittaessa.



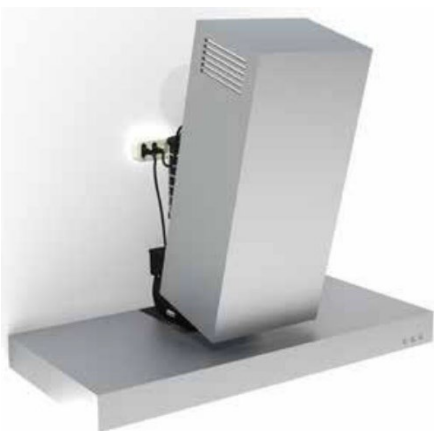
3. Sovitinta (C) käytettäessä se asennetaan moottorin imuputkeen. Asenna sitten Witt-plasmasuodatin (A) joko suoraan putkeen tai sovittimeen.

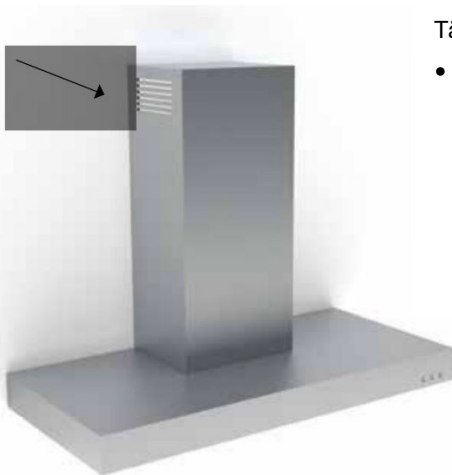


4. Kytke liesituulettimen pistoke ja Witt-plasmasuodattimen pistoke haaroituspistorasiaan (B).



5. Asenna liesituulettimen kotelointi takaisin paikalleen.





#### Tärkeä huomautus asennuksesta

- Varmista, että liesituulettimen koteloinnissa on riittävästi tuuletusaukkoja, jotta puhdistettu kiertoilma voidaan johtaa takaisin huoneeseen.

## KÄYTTÖOHJEET

---

### SEURAAVIA VAROITUKSIA ON NOUDATETTAVA:

**TÄRKEÄÄ:** Jotta liesituulettimen ja plasmasuodattimen ominaisuuksista saadaan kaikki irti ja jotta huoneen ilma puhdistuu kunnolla, on erittäin tärkeää, että huone on hyvin tuuletettu. Seuraavaa ohjetta on noudatettava. Muutoin suodattimen puhdistustoiminto tuhoutuu pysyvästi, ja suodattimesta alkaa levitä pahaa hajua. Lisäksi suodattimen takuu raukeaa tällöin.

Kytke liesituuletin päälle 10 minuuttia ennen ruoanvalmistuksen aloittamista. Valitse nopeudeksi 1 tai 2.

Ruoanvalmistuksen jälkeen liesituulettimen on oltava käynnissä vielä 15 minuuttia\*, jotta huoneilma puhdistuu kunnolla.

\*Tarkka aika riippuu huoneen koosta (leveys x pituus x korkeus).

Witt suosittelee käyntiajaksi 15 min / 50 m<sup>3</sup>.

Jokaista 50 m<sup>3</sup>:iä kohti on tuuletettava 15 minuuttia ruoanvalmistuksen päättymisen jälkeen.

Huomautus: Kaksinkertaista tuuletusaika grillipannua tai friteeraus kattilaa käytettäessä. Tuuletus on välttämätöntä ilman kierrätyksen kannalta.

Kun Witt-plasmasuodattimella varustettua liesituuletinta käytetään pienimmällä nopeudella, siitä tulee ilmanpuhdistin, joka poistaa sisäilmasta keittiön hajujen ja höyryjen lisäksi myös muita epämiellyttäviä hajuja, allergeeneja, bakteereita ja viruksia.

## KUNNOSSAPITO

---

Kun Witt-plasmasuodatin on asennettu asennusohjeiden mukaisesti, se ei vaadi huoltoa.

Plasmasuodatin aloittaa itsepuhdistumisprosessin automaattisesti heti, kun se on otettu käyttöön. On kuitenkin tärkeää, että liesituulettimen rasvasuodatin puhdistetaan säännöllisesti ja pidetään rasvattomana.

## VIANMÄÄRITYS

---

Lue liesituulettimen käyttöohjeet aina huolellisesti ennen asennusta.

Jos plasmasuodatin ei käynnisty oikein, tarkista seuraavat asiat:

- että virtalähde toimii (tarkista pistorasia tai liitä toinen laite).
- että pistoke on kunnolla paikallaan pistorasiassa.

Jos huoneessa on hajuja ruoanvalmistuksen jälkeen, tarkista, että liesituuletin on ollut päällä riittävän kauan ennen ruoanvalmistusta ja sen jälkeen. Suuremmissa tiloissa voidaan tarvita pidempää käyntiaikaa.

Jos liesituulettimen kapasiteetti ylittää plasmasuodattimen suositellun ilmavirran, voi ilmetä lievää metallinhajua. Tämä on vaaratonta, ja sitä voidaan vähentää laskemalla moottorin nopeutta.

## HÄVITTÄMINEN

---

Hävitä pakkaus ympäristöystävällisesti.

Witt-plasmasuodatin on EU:n sähkö- ja elektroniikkalaiteromua koskevien direktiivien (WEEE) mukainen. Kaikki tuotteen osat voidaan käyttää uudelleen, ja pakkaus on kierrätettävä.

## REKLAMAATIO

---

Uudella tuotteellasi on viiden (5) vuoden valmistus- ja materiaalivirheiden takuu, joka on voimassa dokumentoidusta ostopäivästä alkaen. Takuu kattaa materiaalit ja työn. Palvelua pyytäessäsi sinun tulee ilmoittaa tuotteen nimi ja sarjanumero. Tiedot löytyvät tuotteen tyyppikilvestä. Kirjoita tarvittaessa ylös tässä käyttöohjeessa olevat tiedot, jotta ne ovat helposti saatavilla. Näin huoltoteknikon on helpompi löytää oikeat varaosat.

### Takuu ei kata:

- Viat ja vauriot, jotka eivät johdu valmistus- ja materiaalivirheistä
- Jos on käytetty ei-alkuperäisiä varaosia
- Jos käyttöohjeen ohjeita ei ole noudatettu
- Jos asennusta ei ole tehty ohjeiden mukaisesti
- Jos asiantunteva henkilö ei ole asentanut tai korjannut tuotetta
- Paristot tai muut kuluvat osat

### Kuljetusvaurio

Kuljetusvaurio, joka syntyy jälleenmyyjän toimittaessa tuotetta asiakkaalle, on vain asiakkaan ja jälleenmyyjän välinen asia. Tapauksissa, joissa asiakas on vastannut tuotteen kuljetuksesta, toimittaja ei ole vastuussa mahdollisista kuljetusvaurioista. Mahdolliset kuljetusvauriot on ilmoitettava välittömästi ja viimeistään 24 tunnin kuluessa tavarantoimituksesta. Muussa tapauksessa asiakkaan reklamaatio hylätään.

### Perusteeton huolto

Jos tuote lähetetään huoltoon ja käy ilmi, että asiakas olisi voinut korjata virheen itse noudattamalla tässä käyttöohjeessa olevia ohjeita, on asiakkaan vastuulla maksaa huolto.

### Yritysasiakkaat

Yritysasiakkaita ovat kaikki asiakkaat, joiden hankkimia laitteita ei käytetä kotitalouksissa, vaan sen sijaan liiketoimintaan tai vastaaviin tarkoituksiin (ravintoloissa, kahviloissa, ruokaloissa ym.) tai vuokraukseen tai muuhun useiden käyttäjien käyttöön. Takuu ei koske yritysasiakkaita, koska tuote on tarkoitettu vain tavalliseen kotitalouskäyttöön.

## HUOLTO

---

Jos haluat tilata huoltoa ja varaosia Tanskasta, ota yhteyttä liikkeeseen, josta ostit tuotteen.

Reklamaatio voidaan tehdä myös [witt.fi](http://witt.fi)-sivuston Huolto-välilehdellä.

Pidätämme oikeuden painovirheisiin.

Valmistaja/jakelija ei ole vastuussa tuote- ja/tai henkilövahingoista, jos turvallisuusohjeita ei noudateta. Takuu raukeaa, jos ohjeita ei noudateta.

  
**witt**