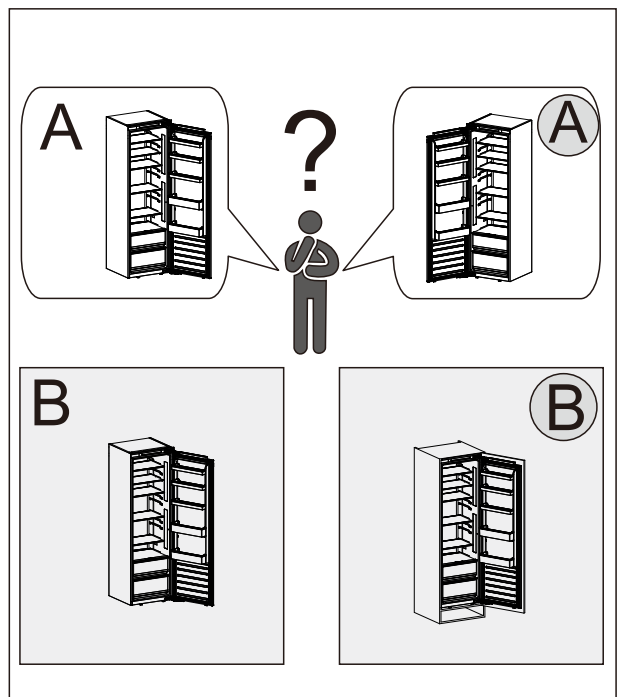
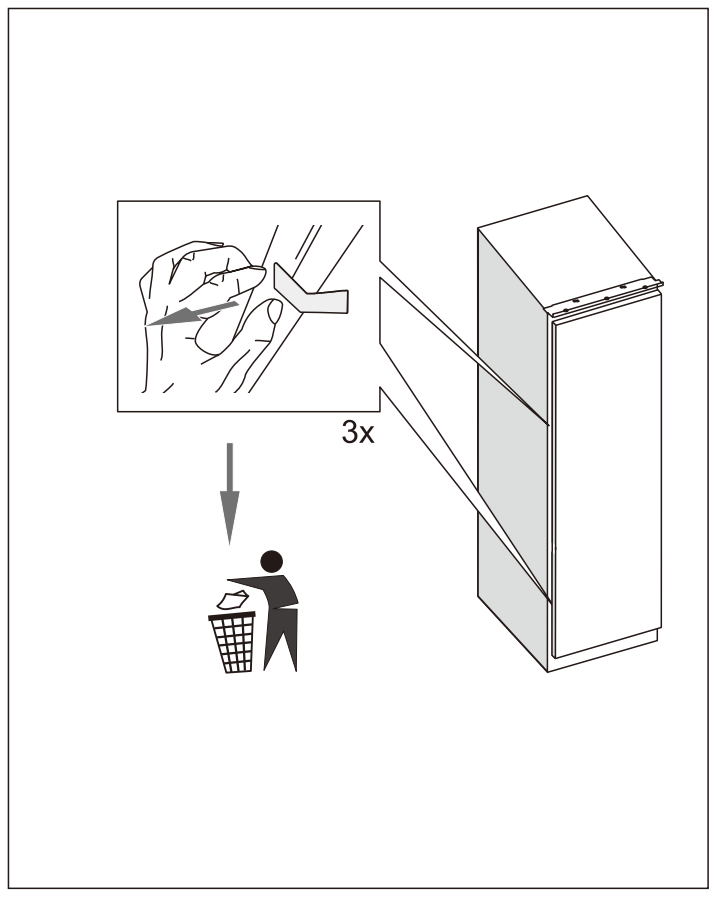
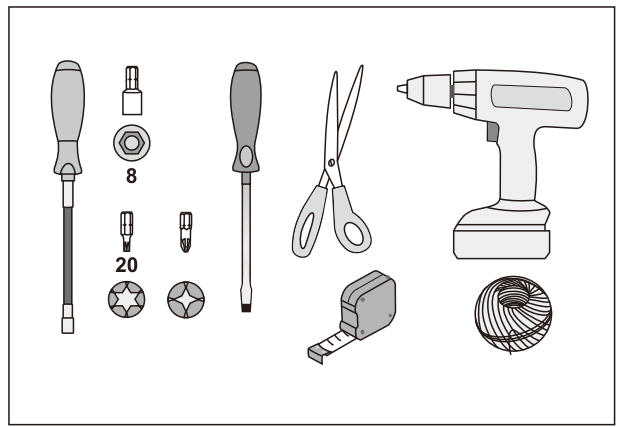
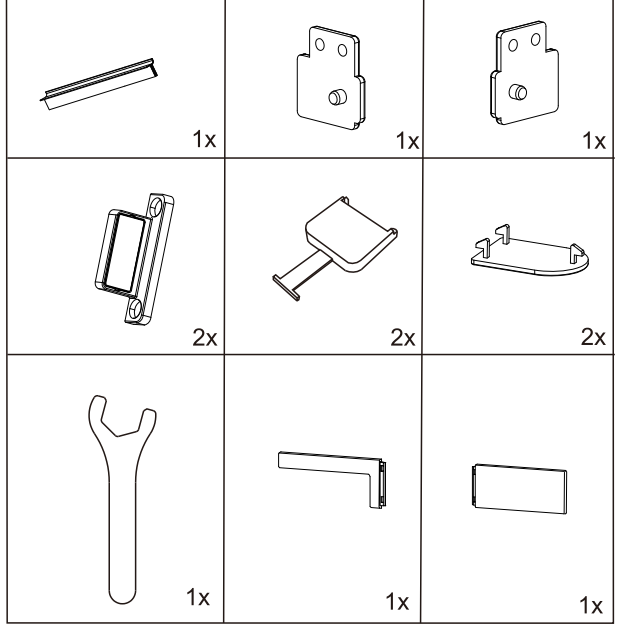
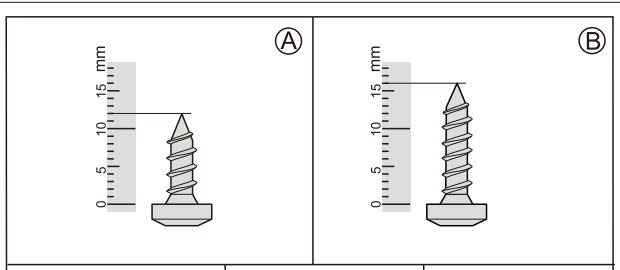
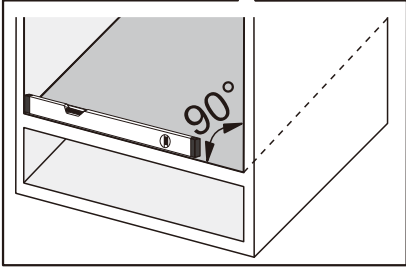
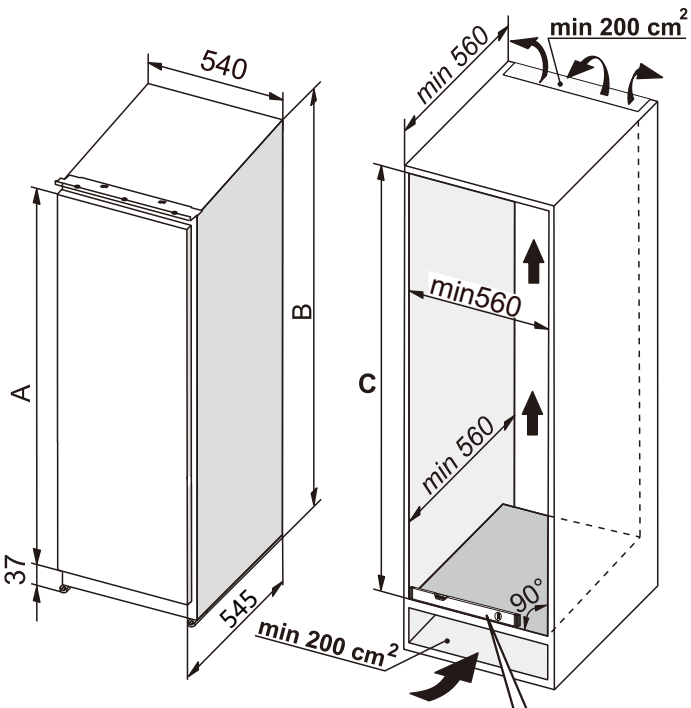
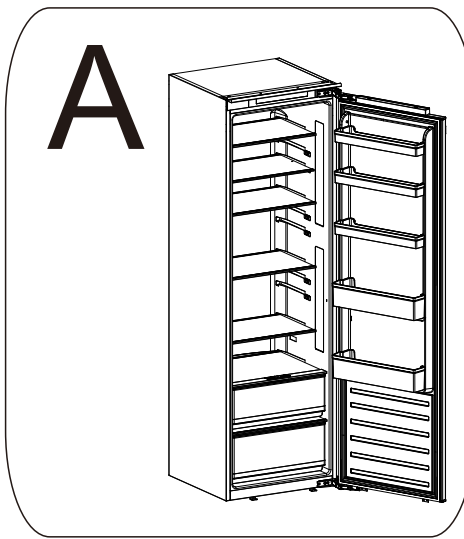




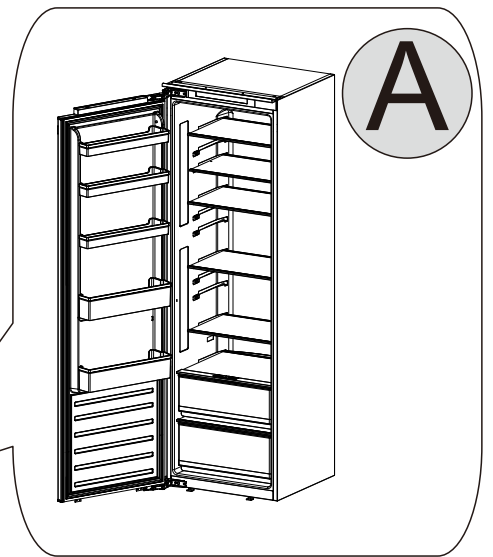
A (mm)	B (mm)	C (mm)
1680	1769	1771-1774



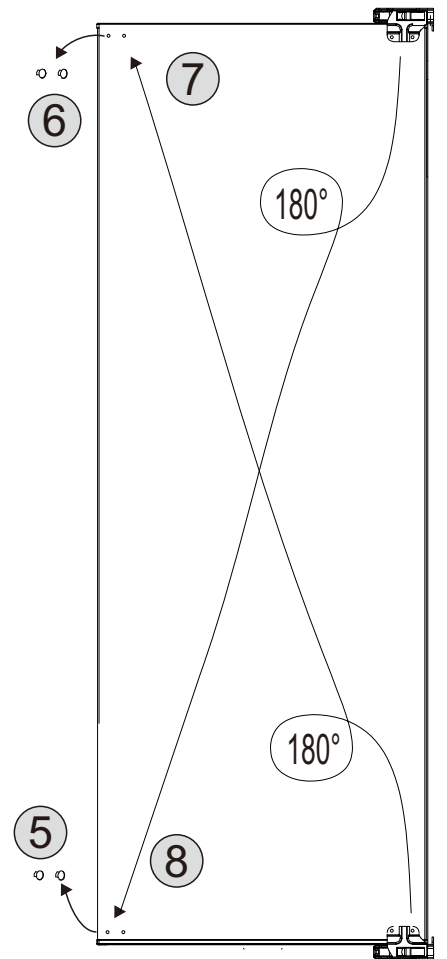
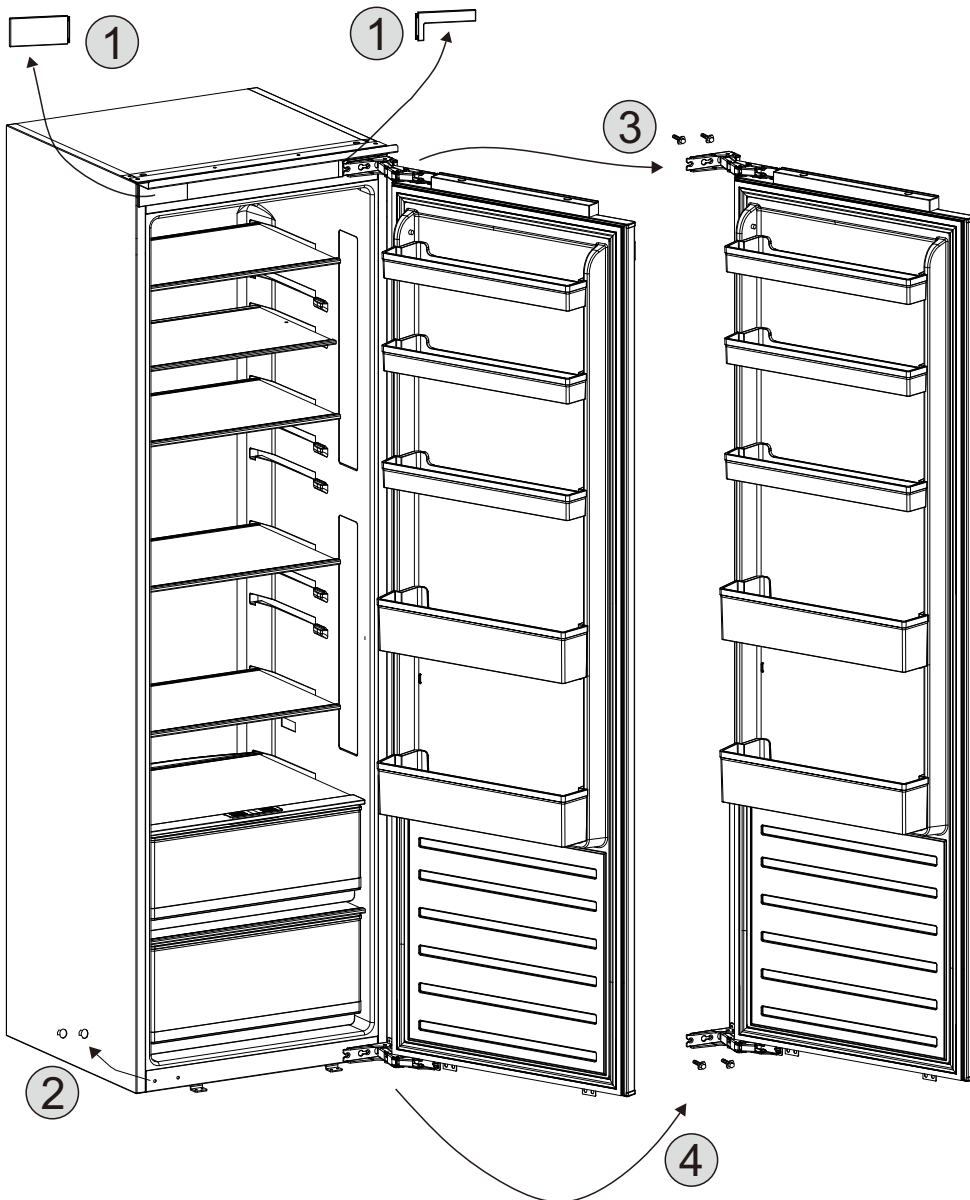
A

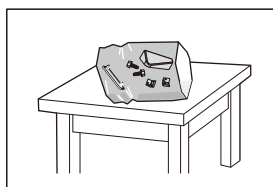
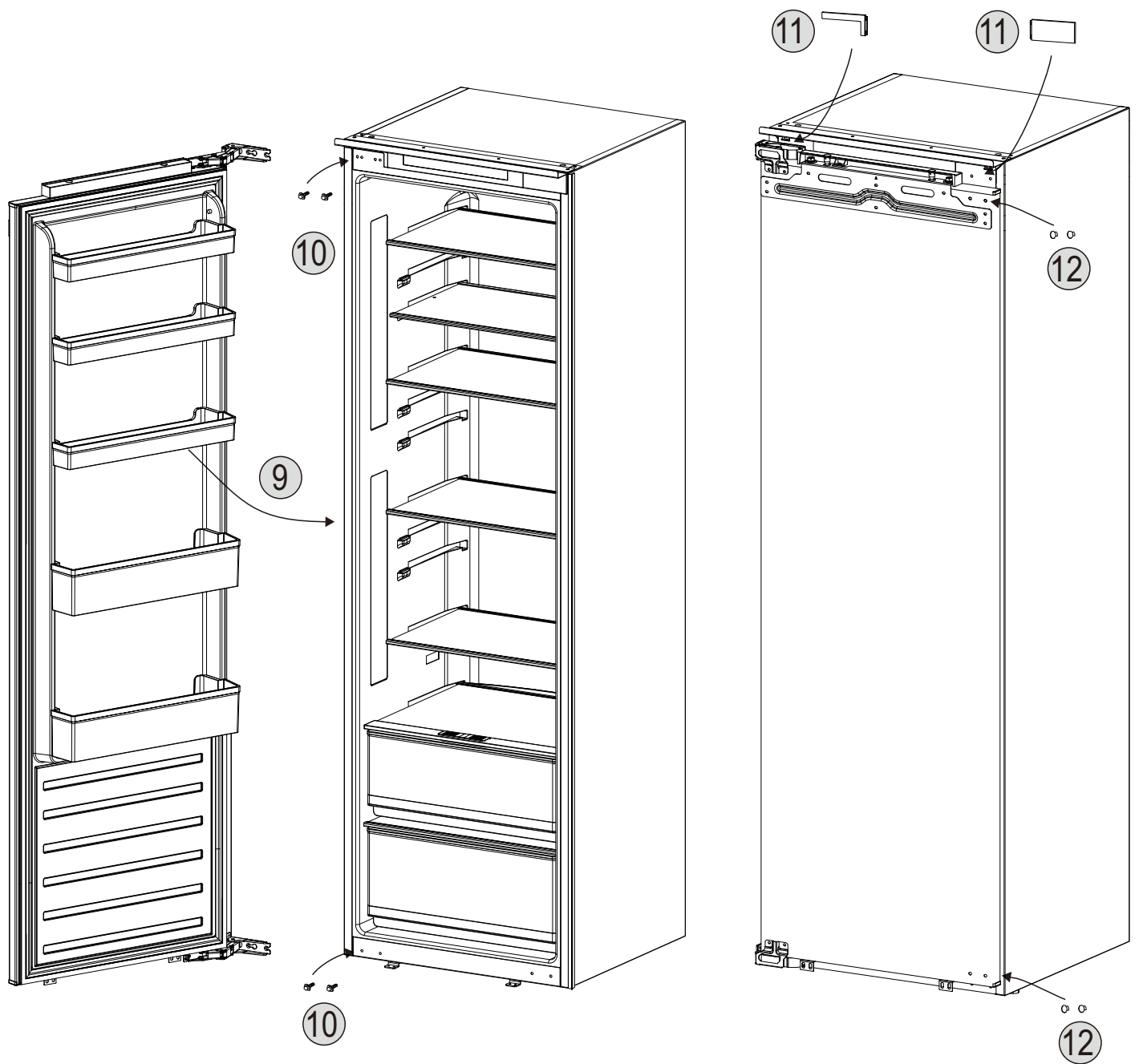


1



12



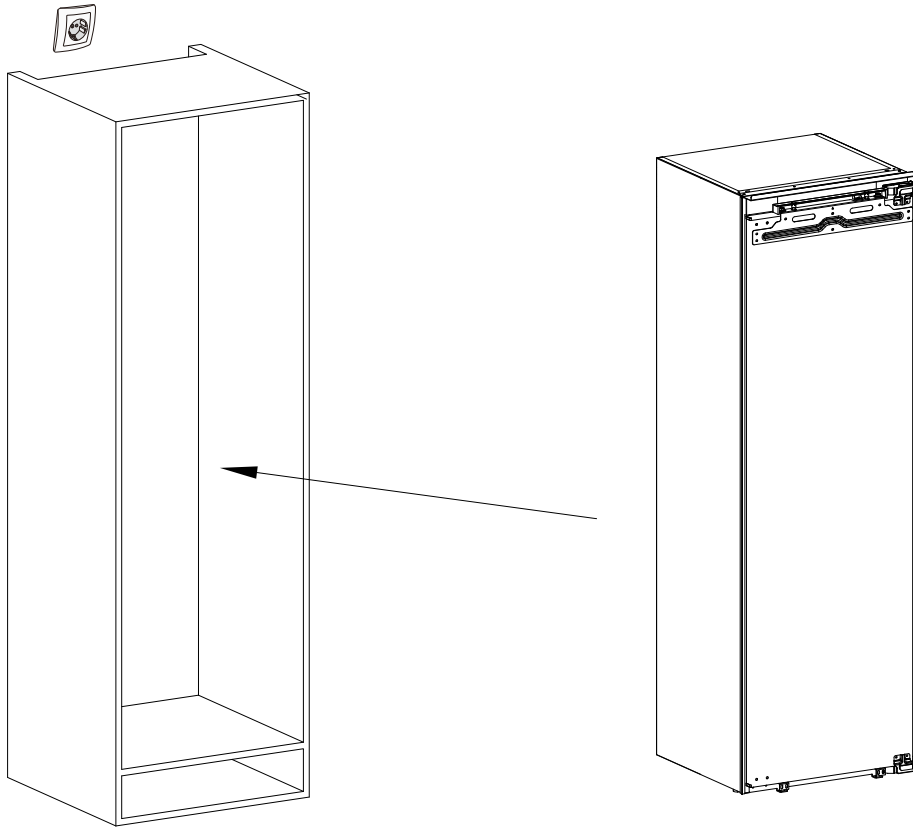


?

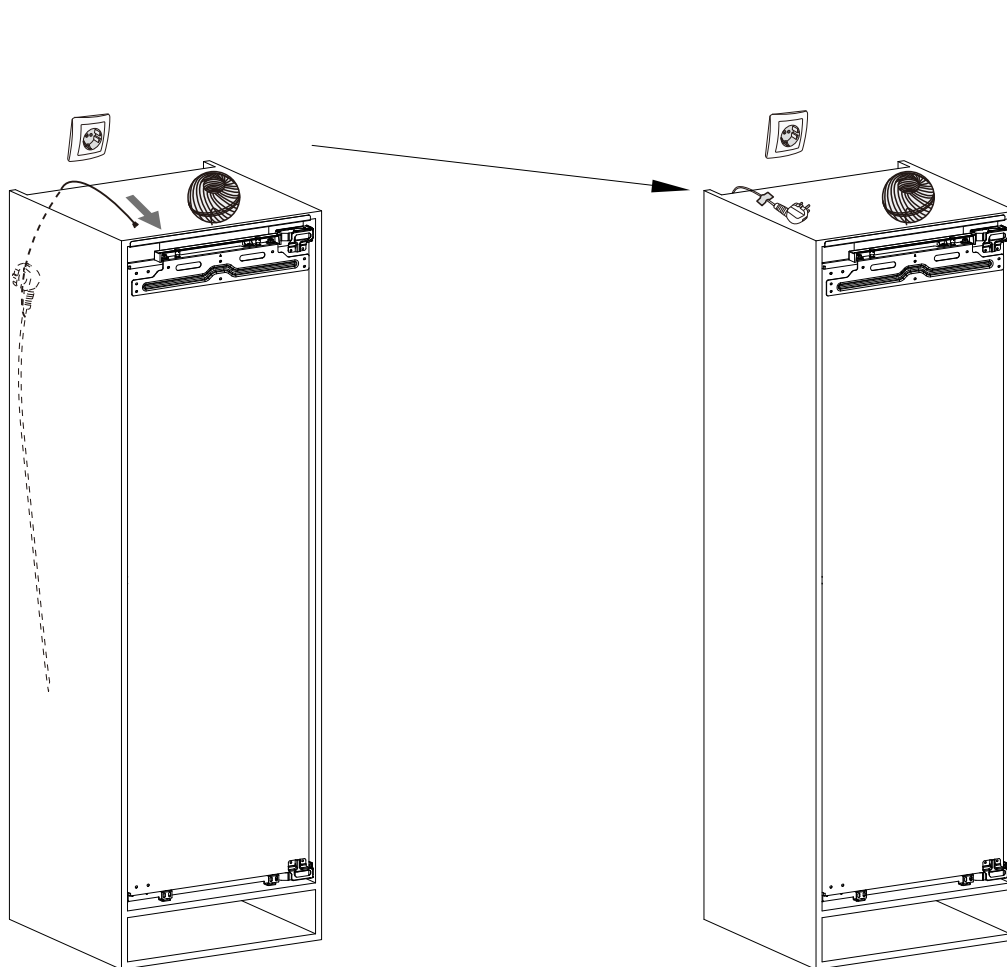


B

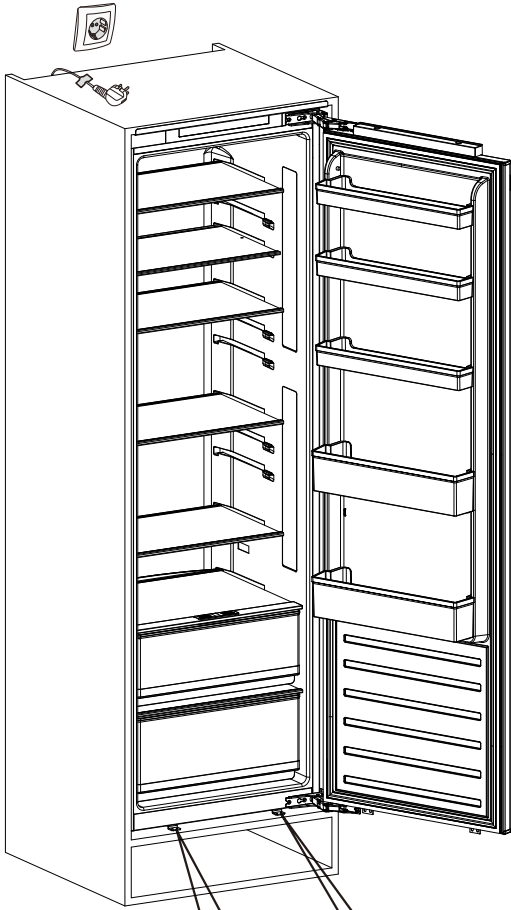
1



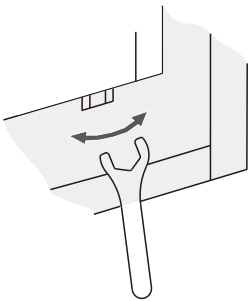
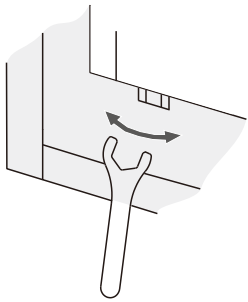
2



3

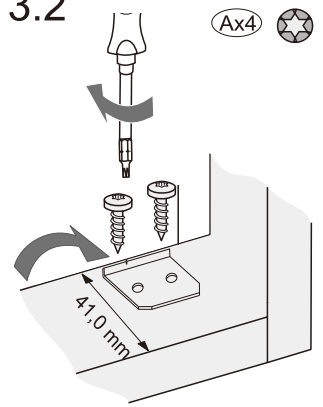


3.1



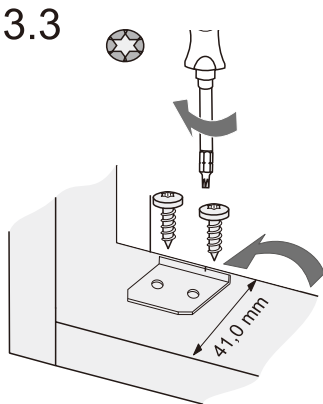
1x1

3.2

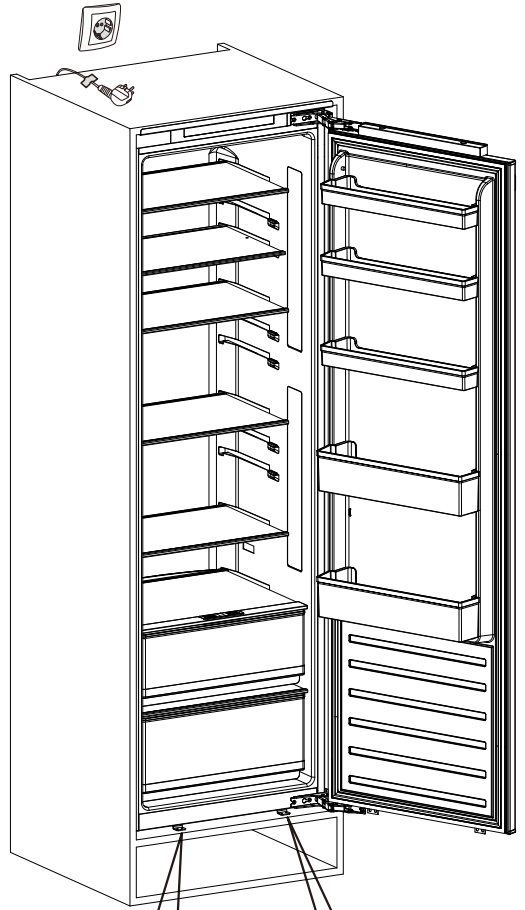


Ax4

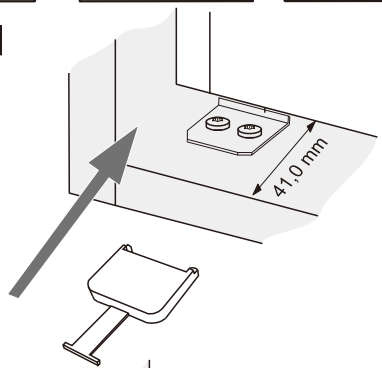
3.3



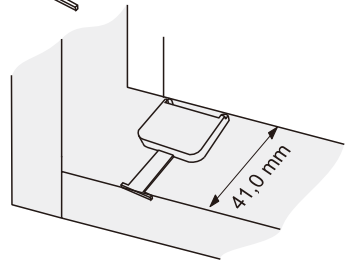
4



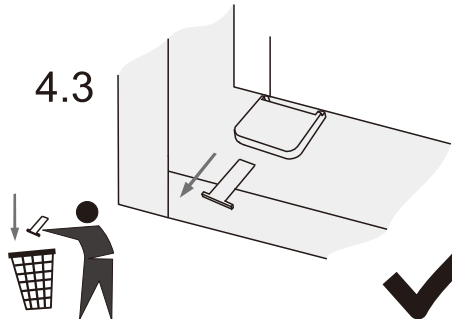
4.1



4.2



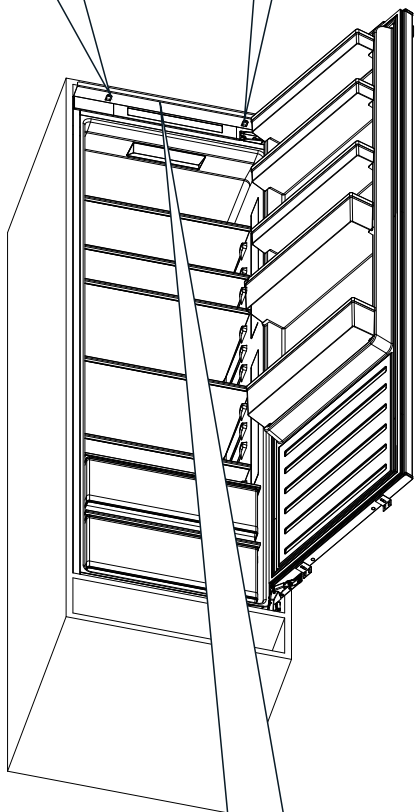
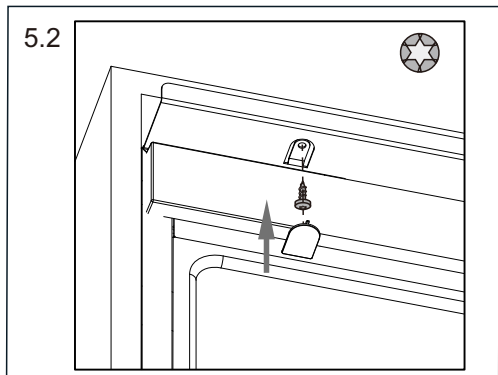
4.3



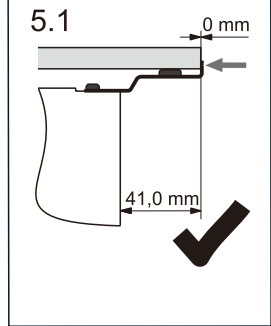
5

32x

5.2



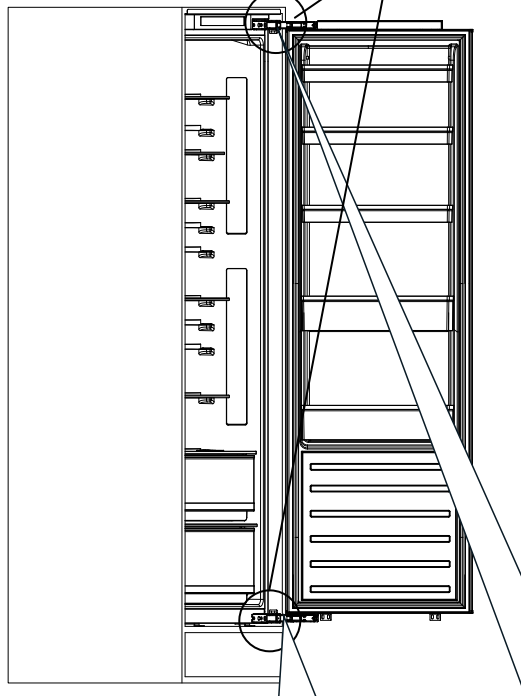
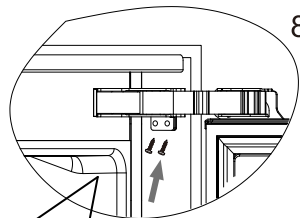
5.1



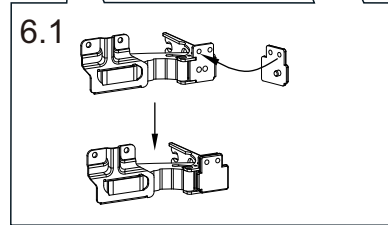
6

6.2

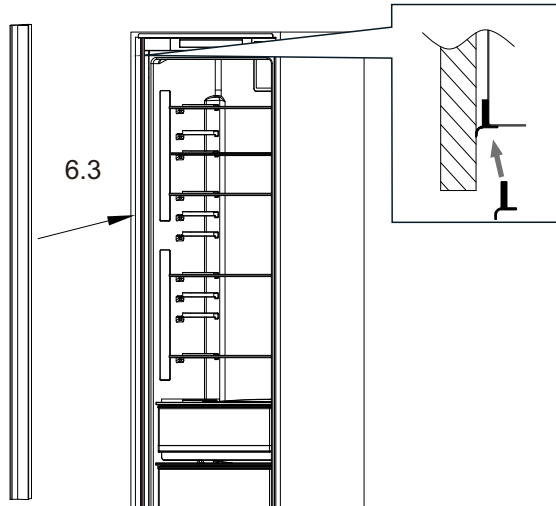
8x



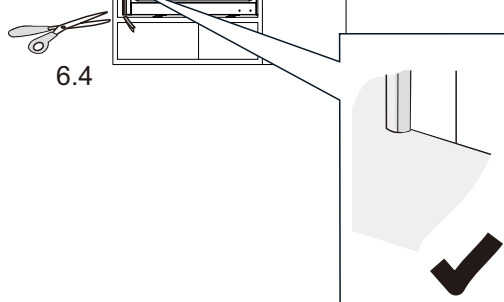
6.1



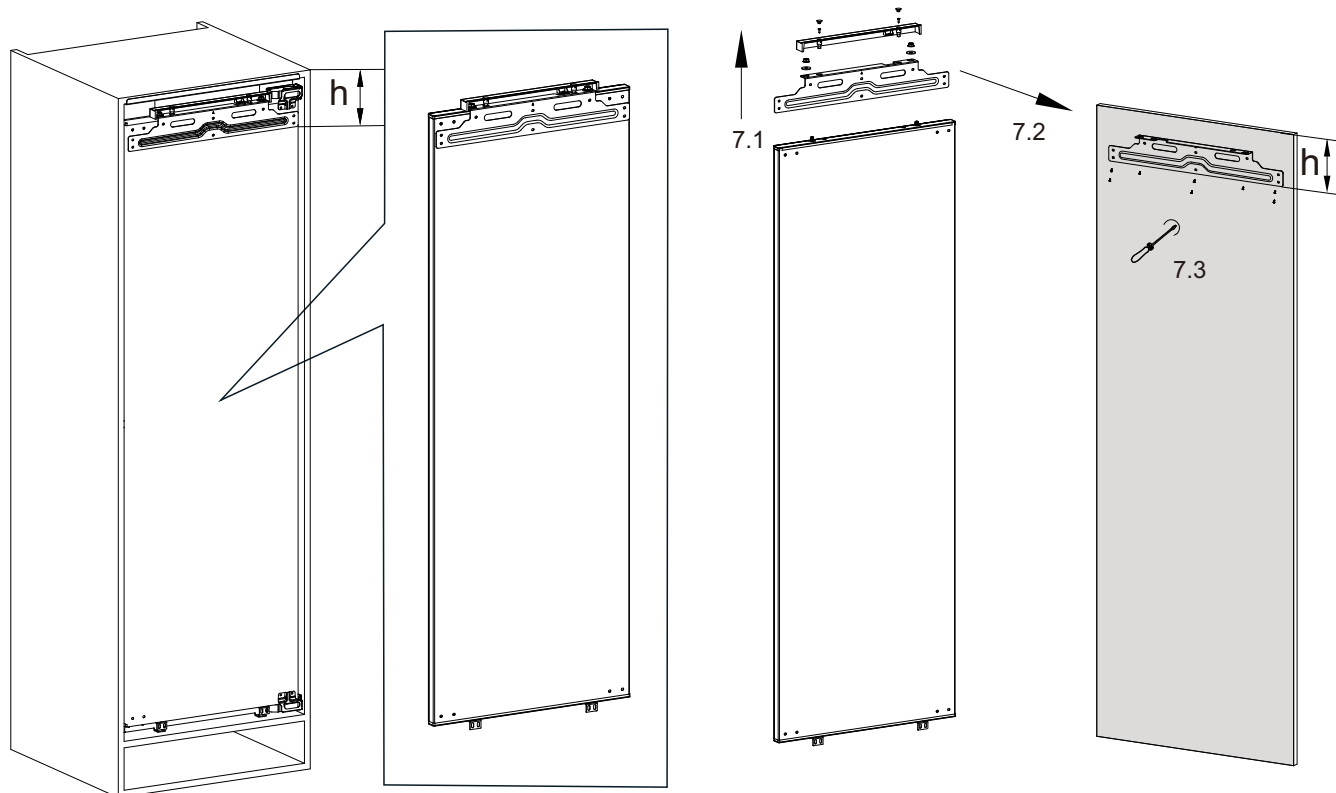
6.3



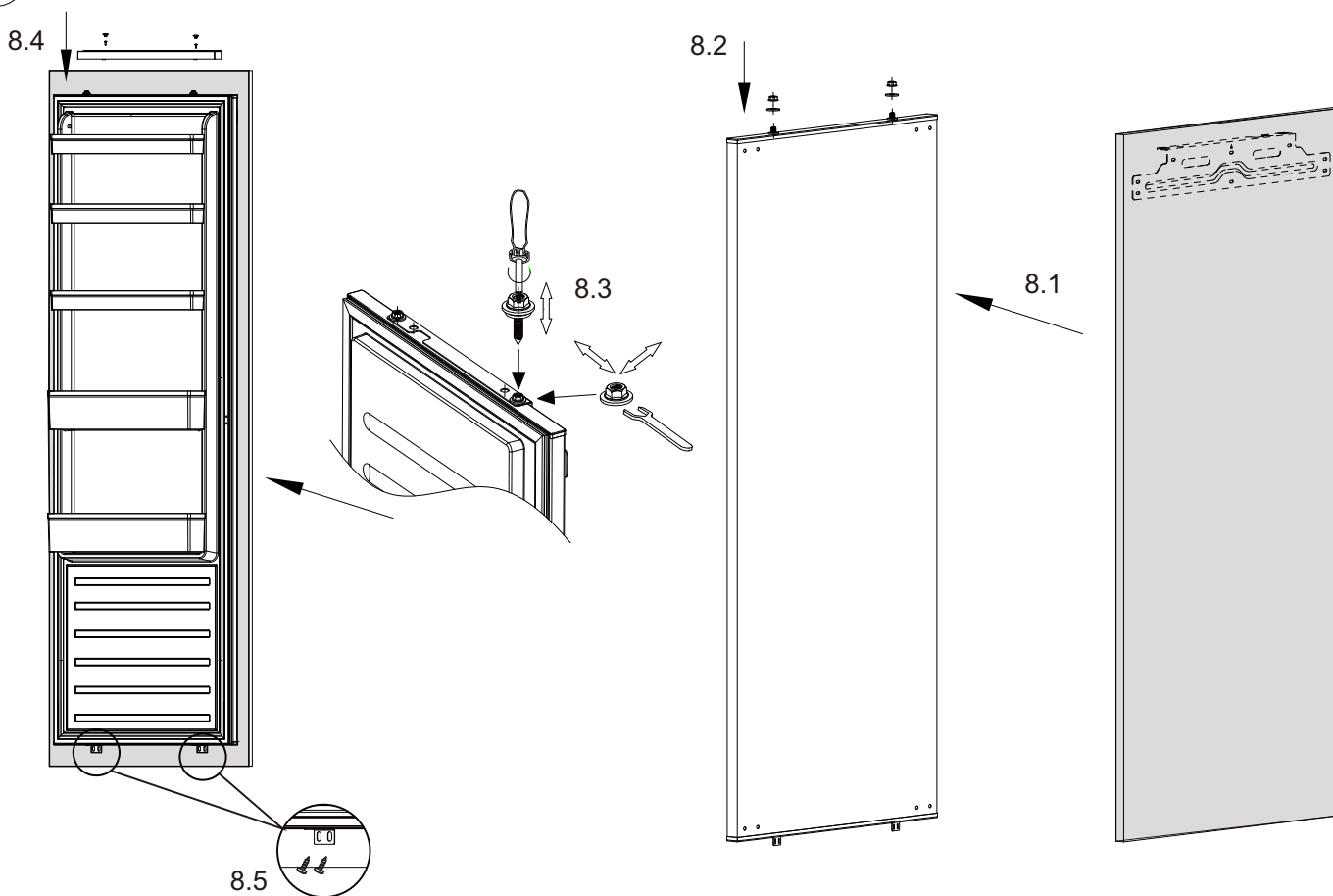
6.4



7



8



9

