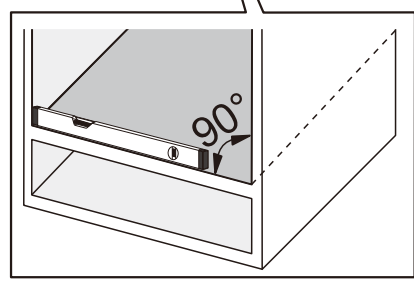
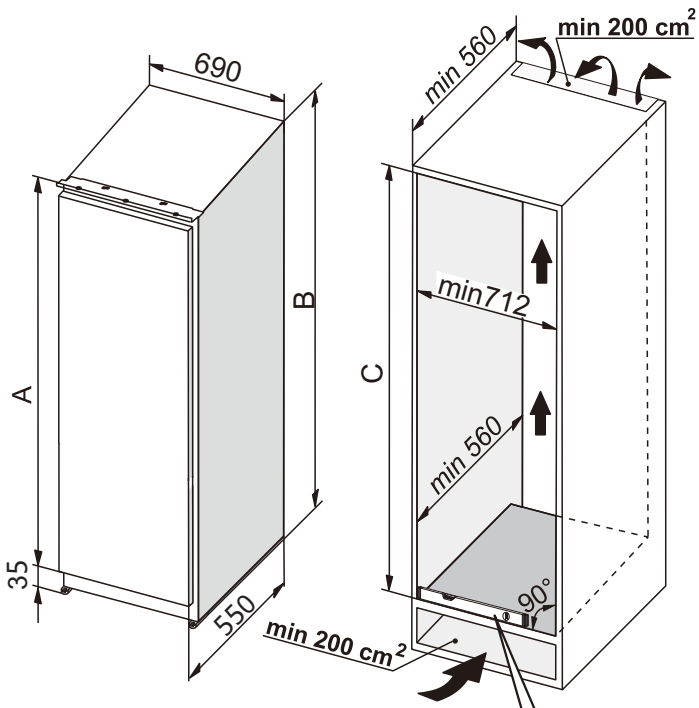




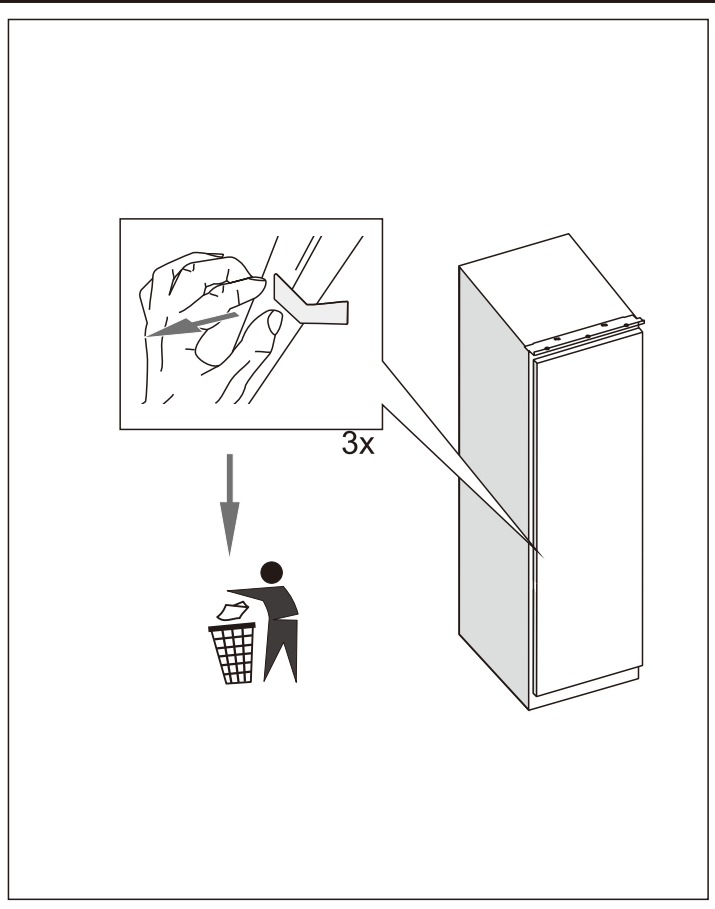
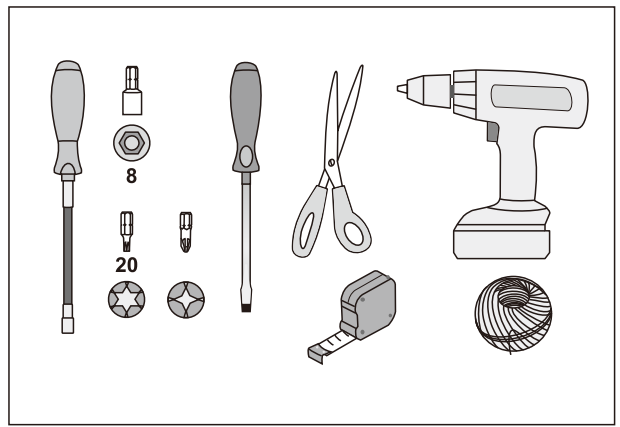
A (mm)	B (mm)	C (mm)
1902	1937	1939-1942



① ②

1x 1x 1x

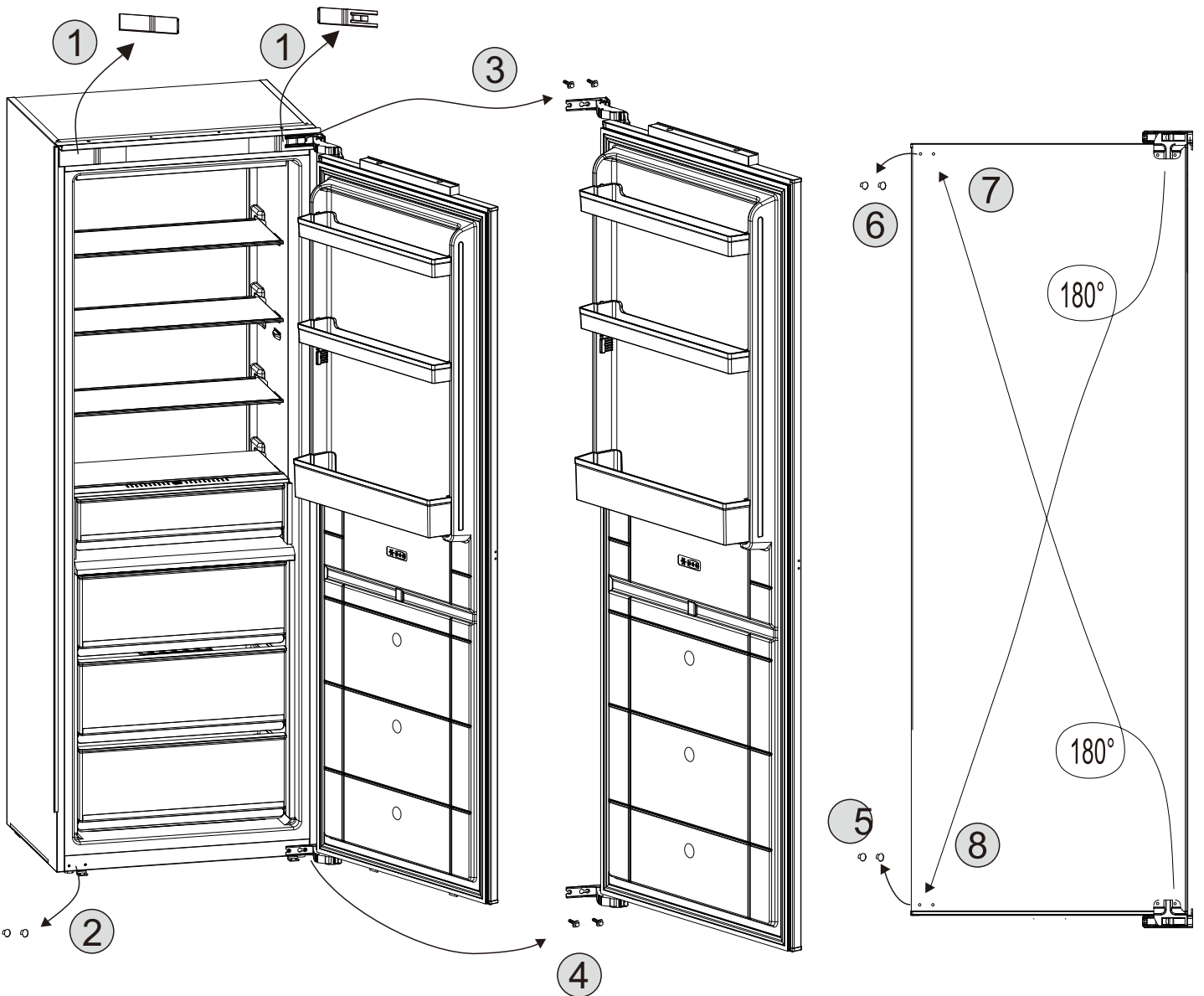
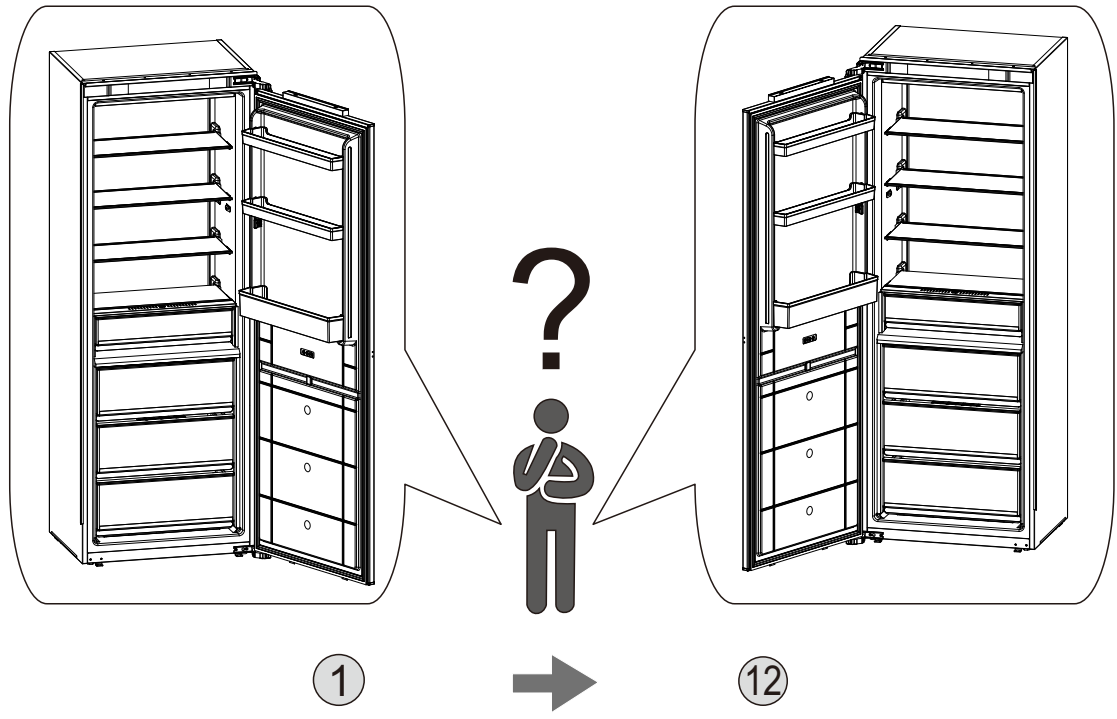
2x 2x

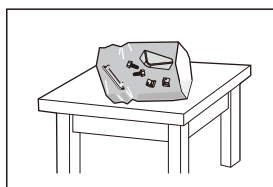
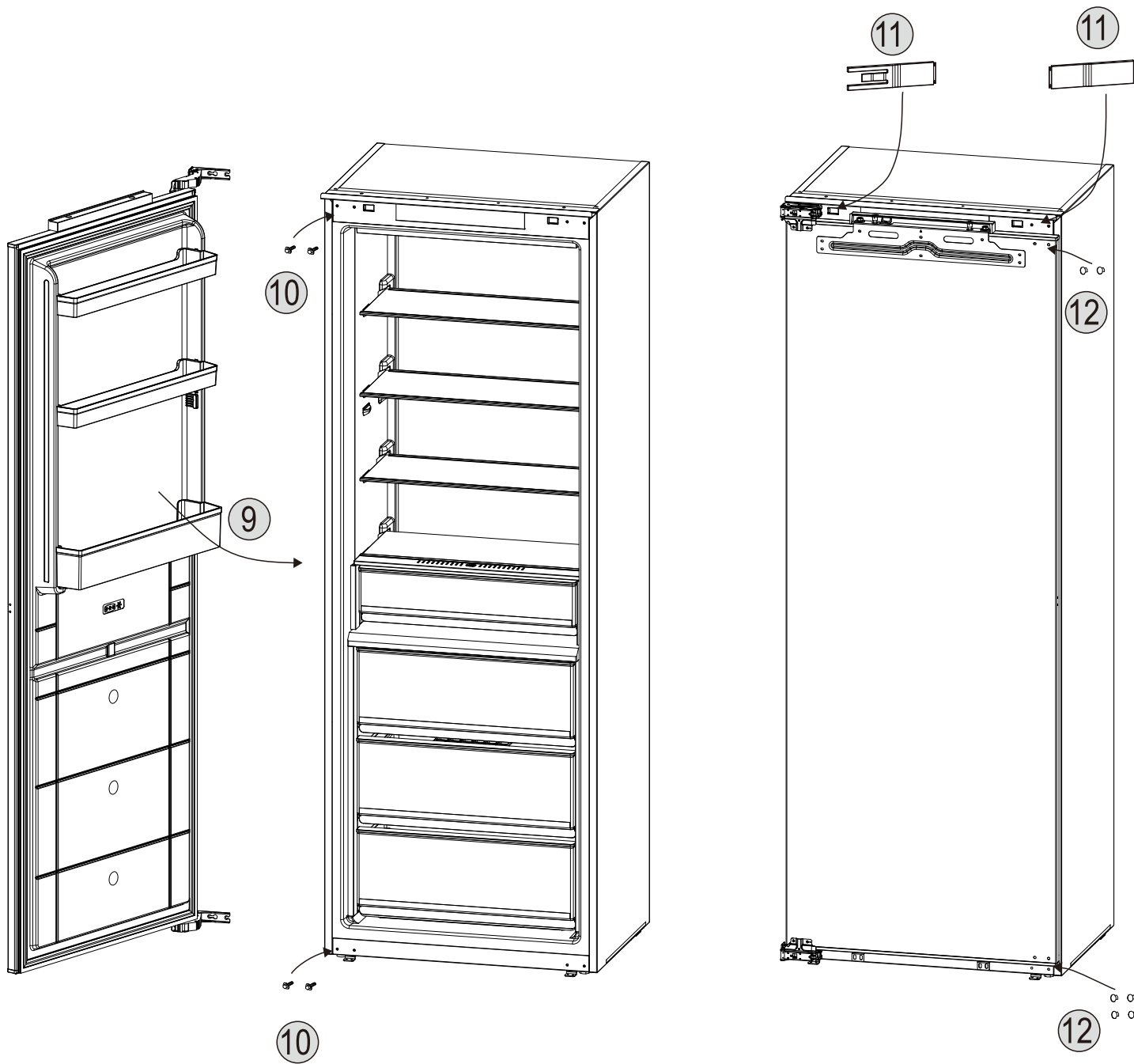


A ? B

① ②

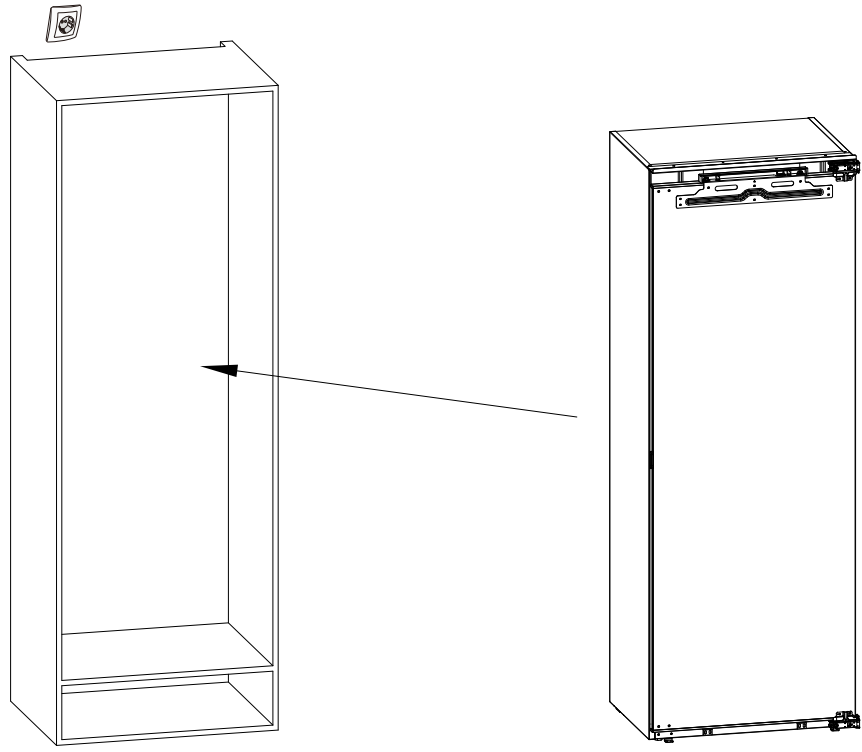
A



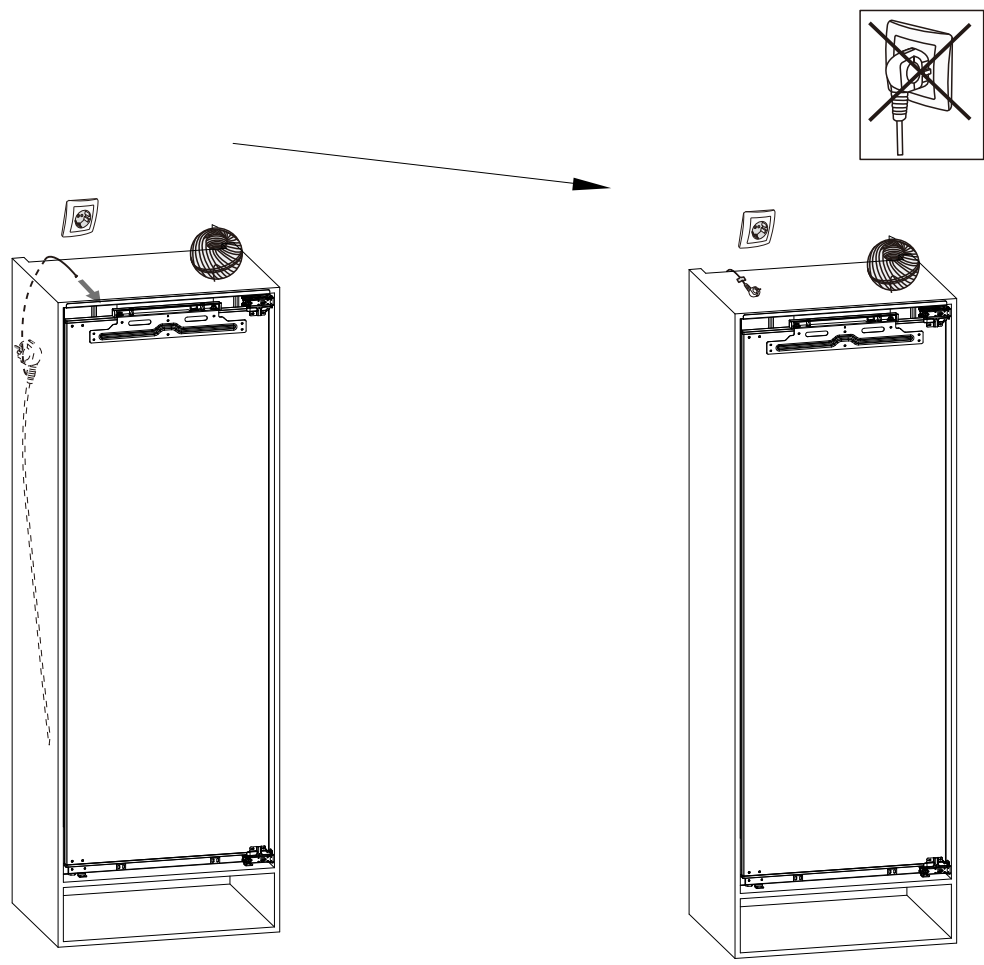


B

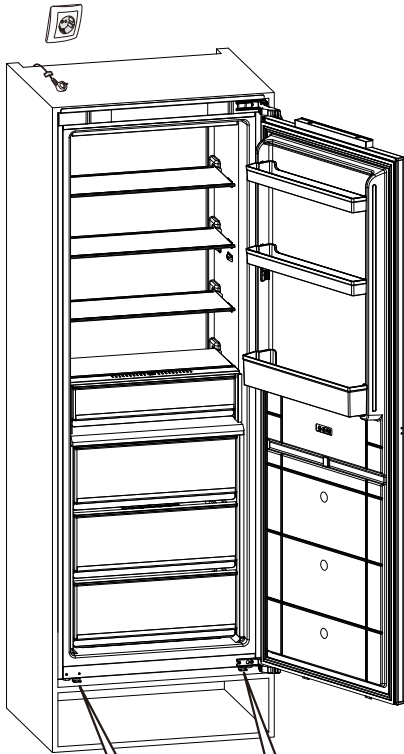
1



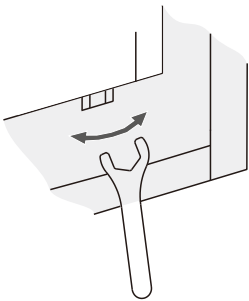
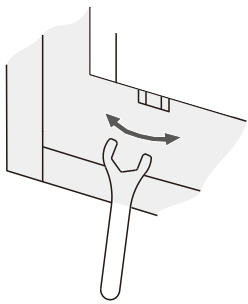
2



3

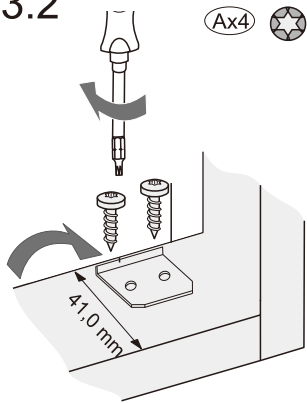


3.1

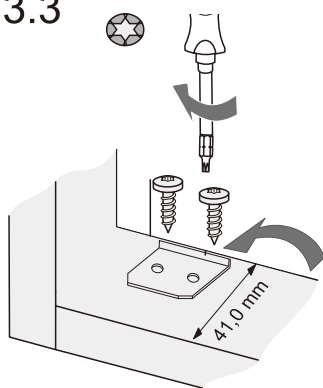


1x1

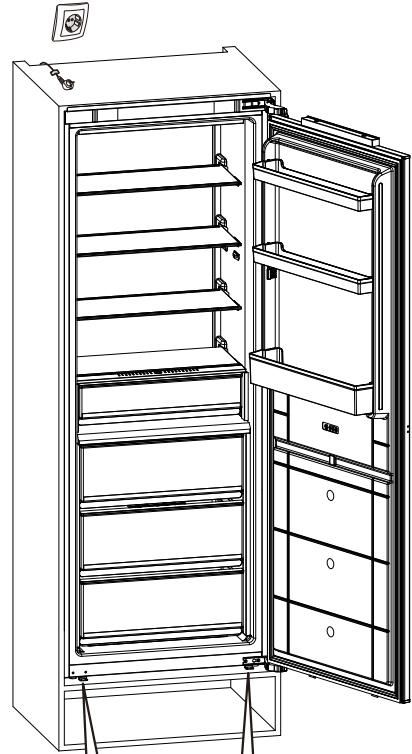
3.2



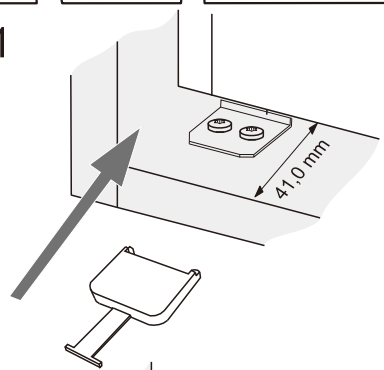
3.3



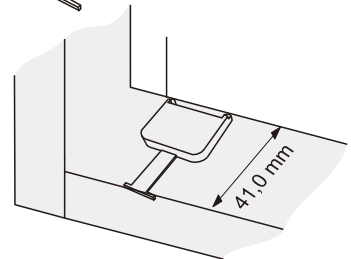
4



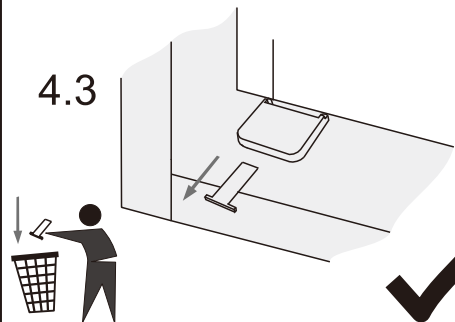
4.1



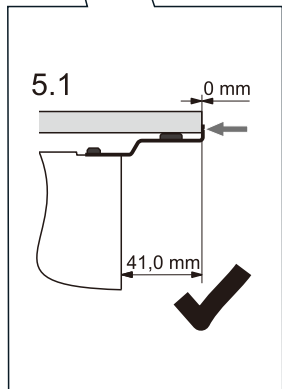
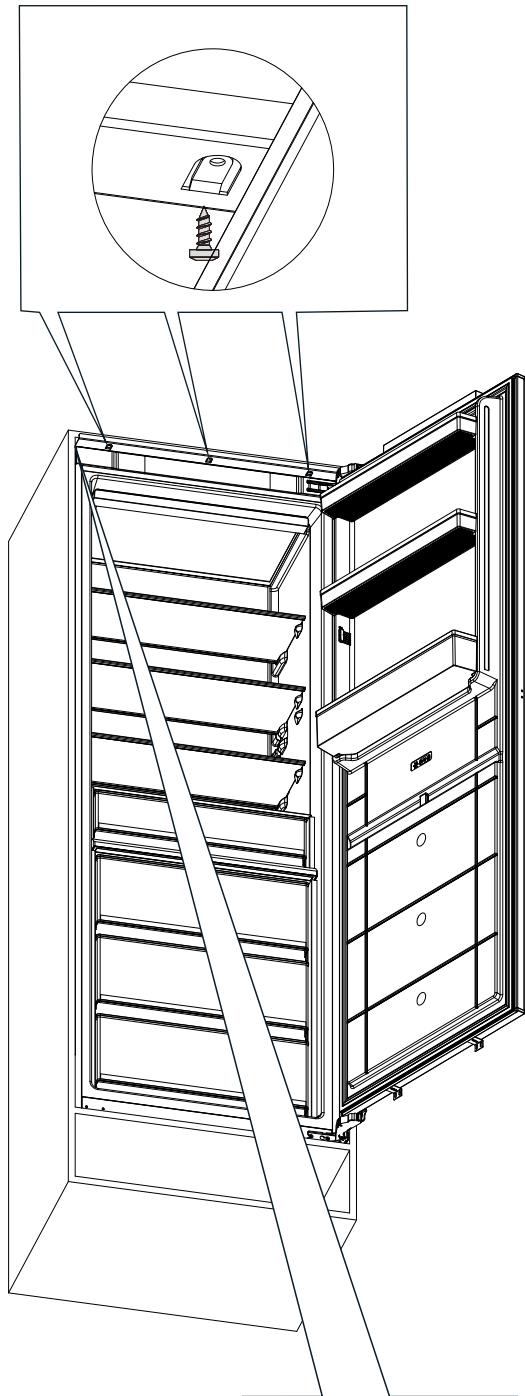
4.2



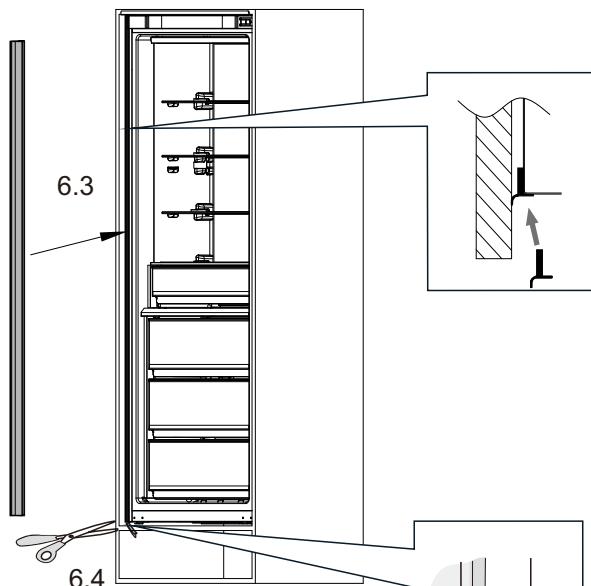
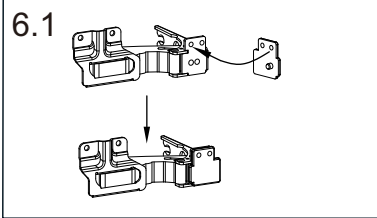
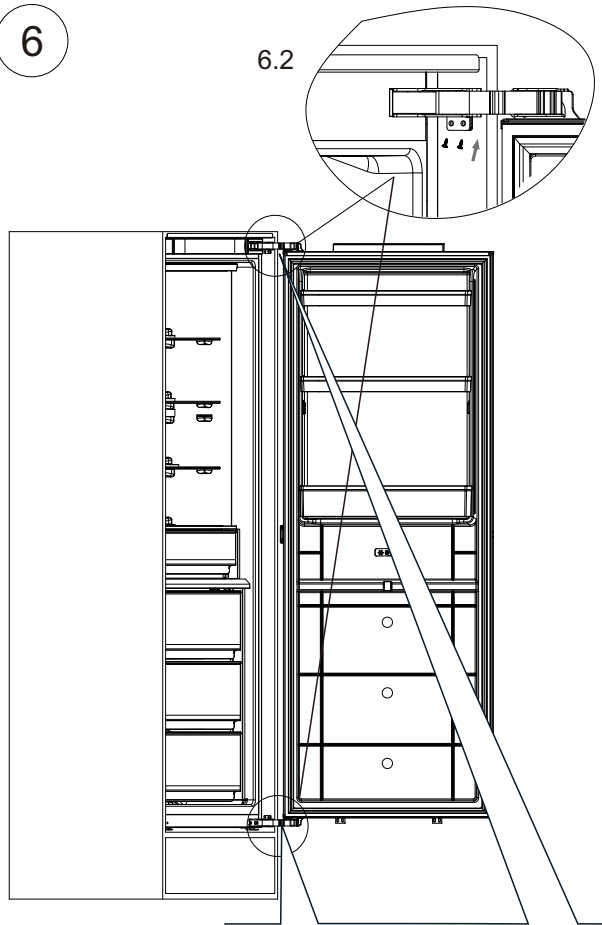
4.3



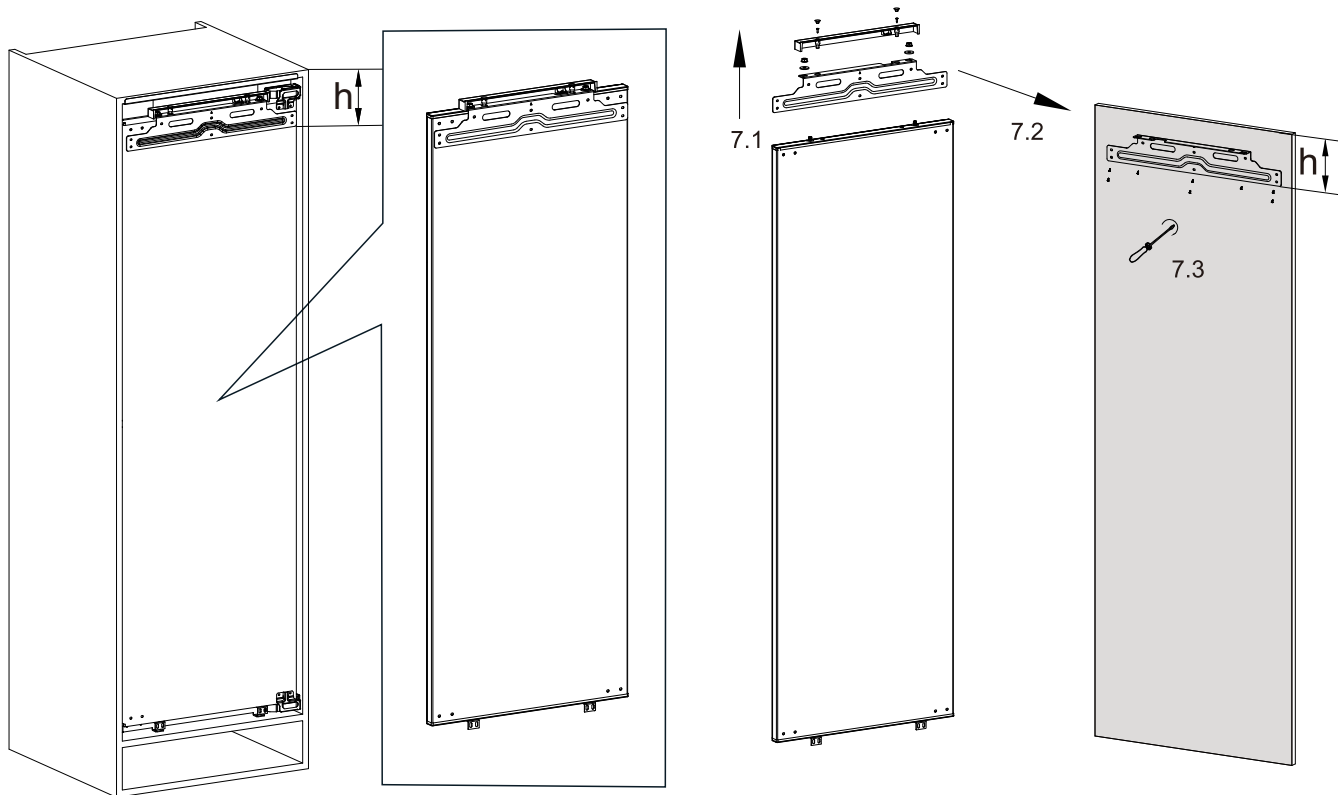
5



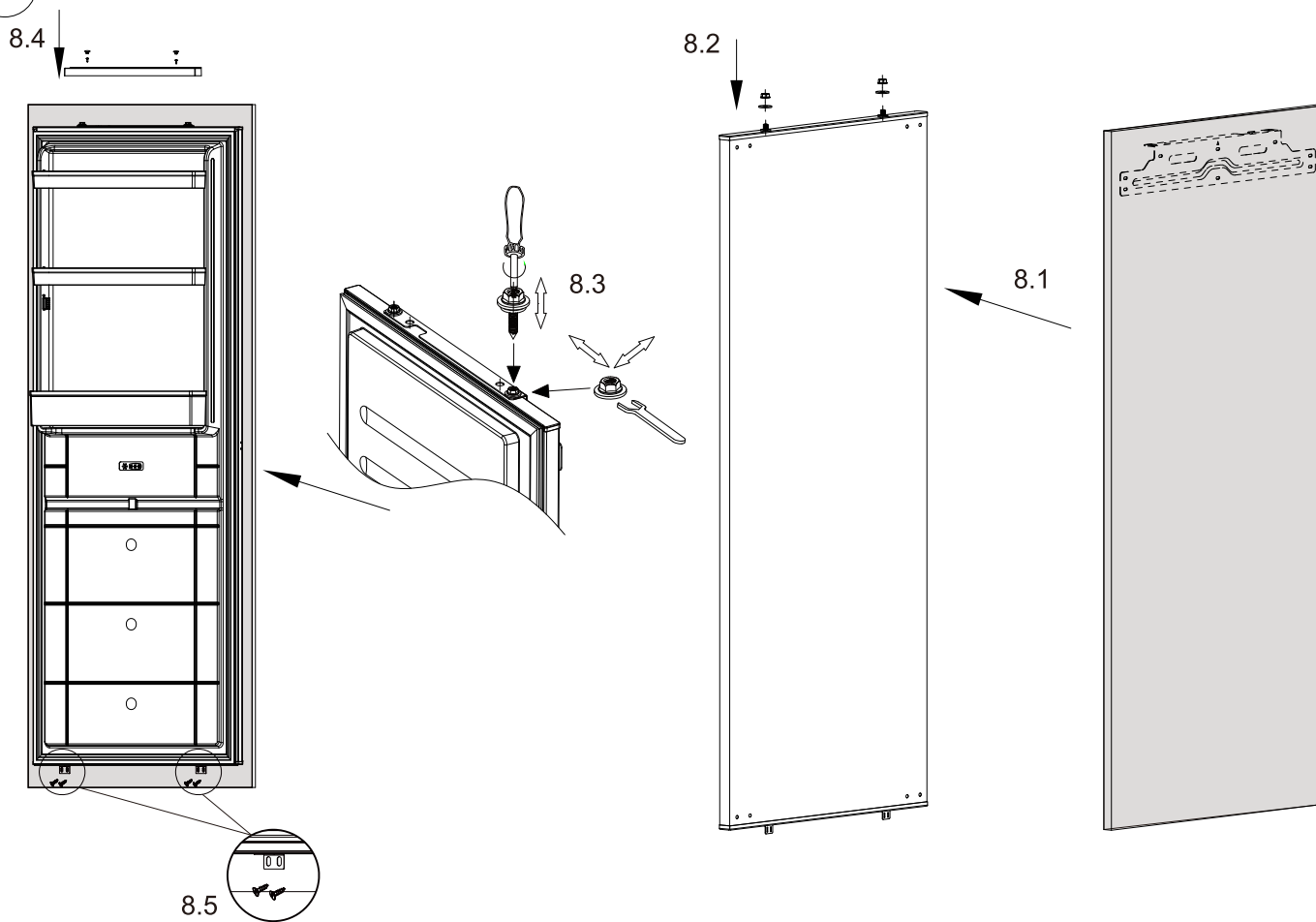
6



7



8



9

