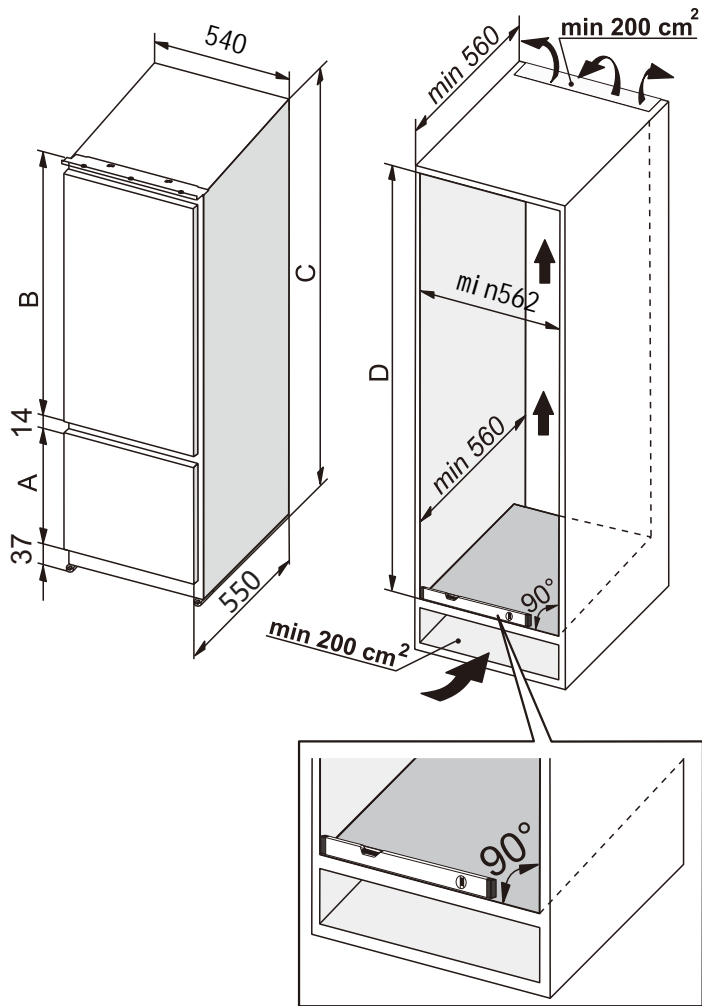
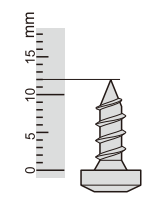
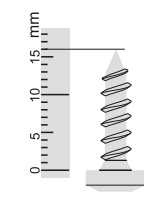
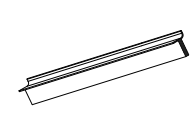
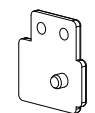
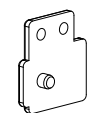
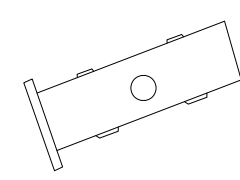
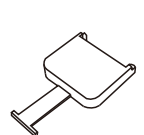
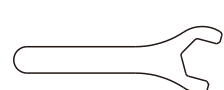
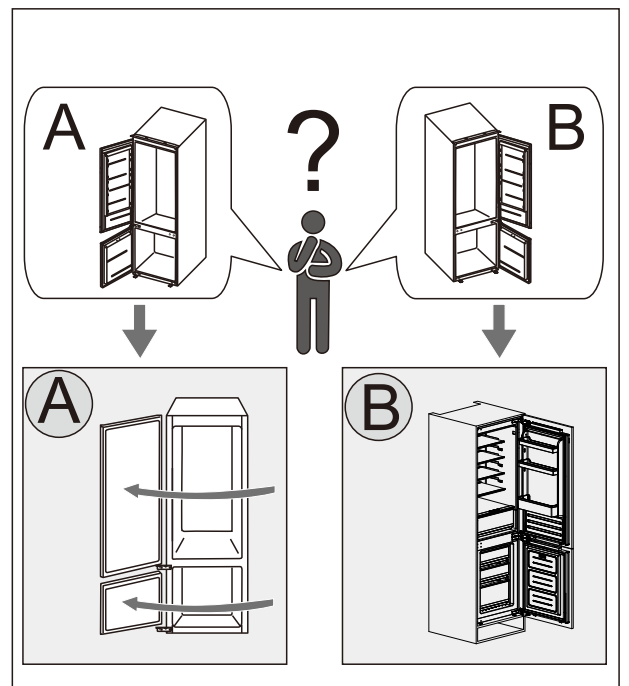
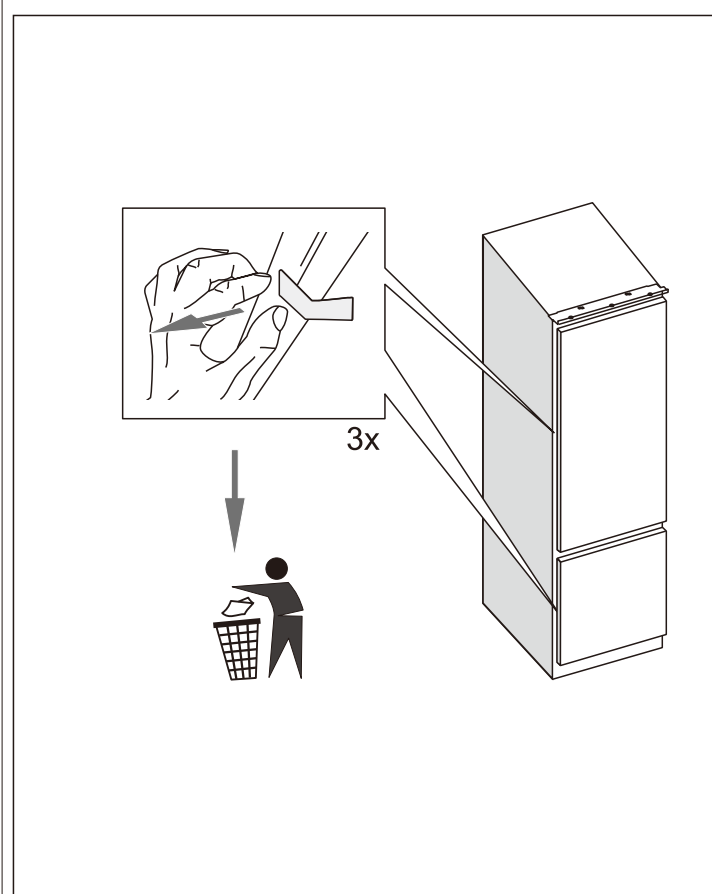
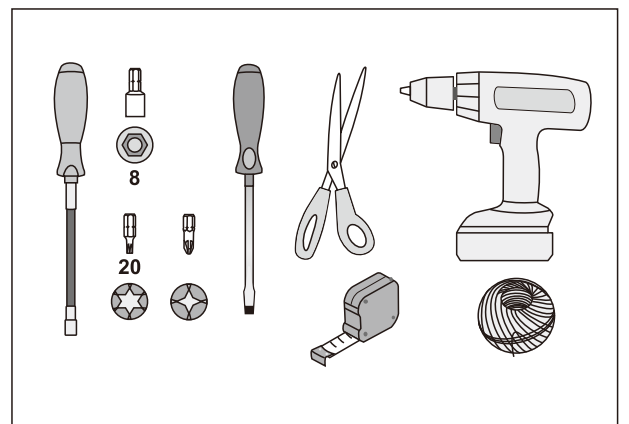




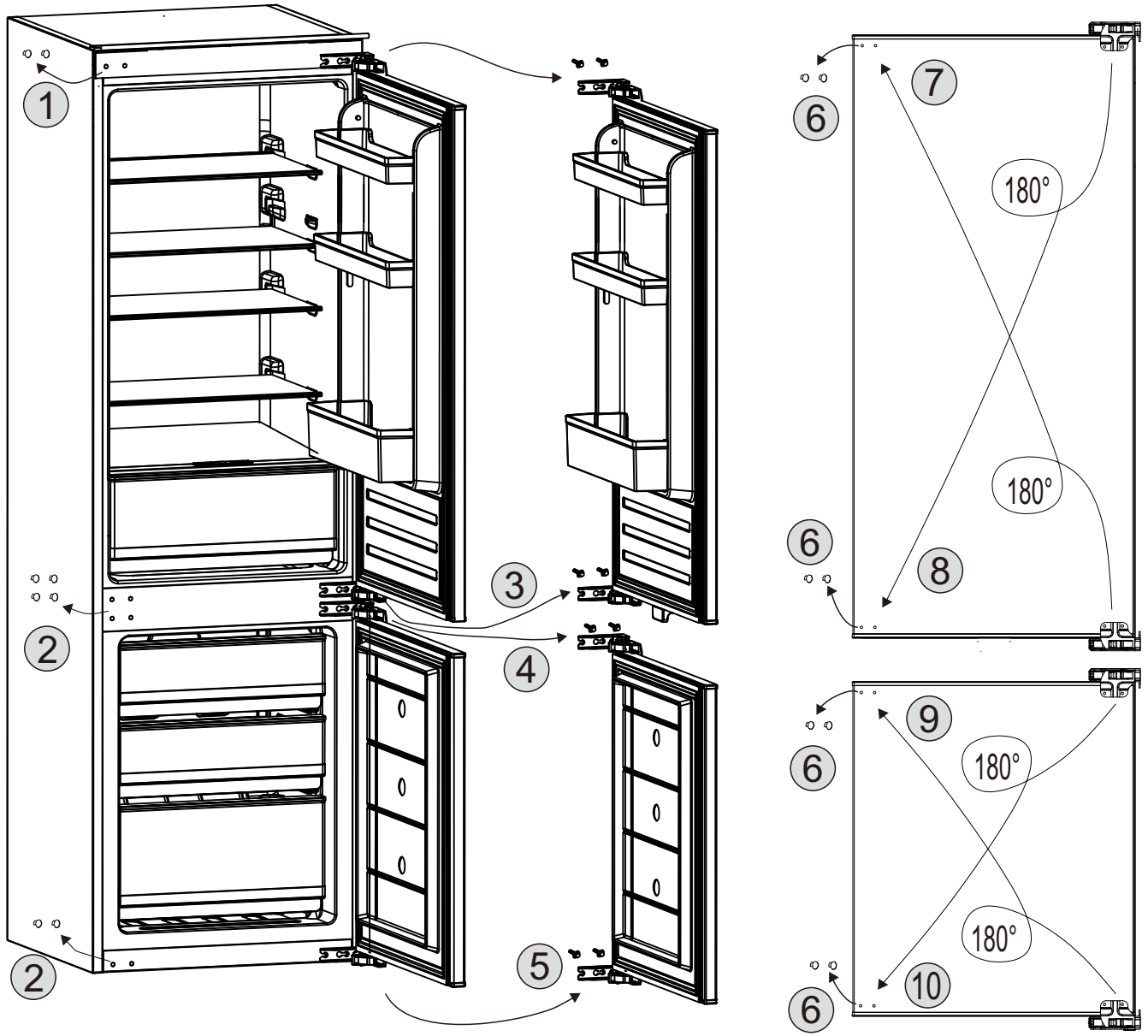
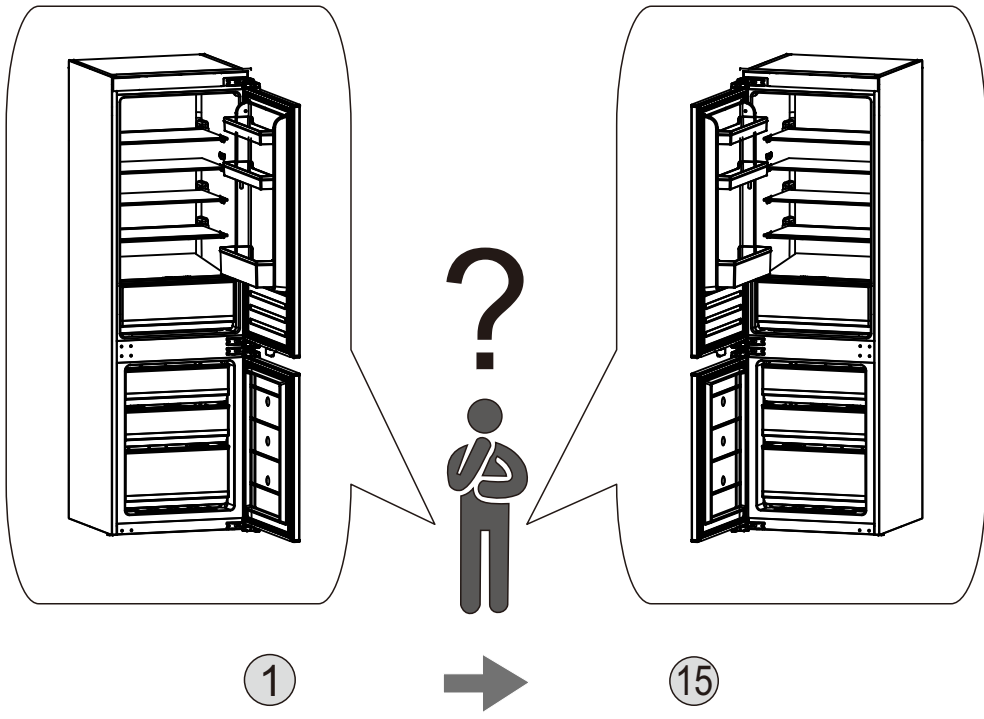
A (mm)	B (mm)	C (mm)	D (mm)
661	1057	1769	1771-1774

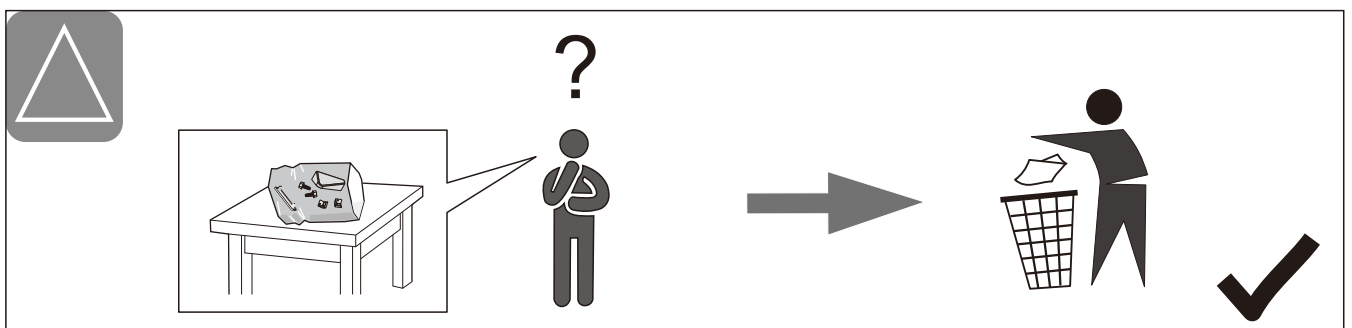
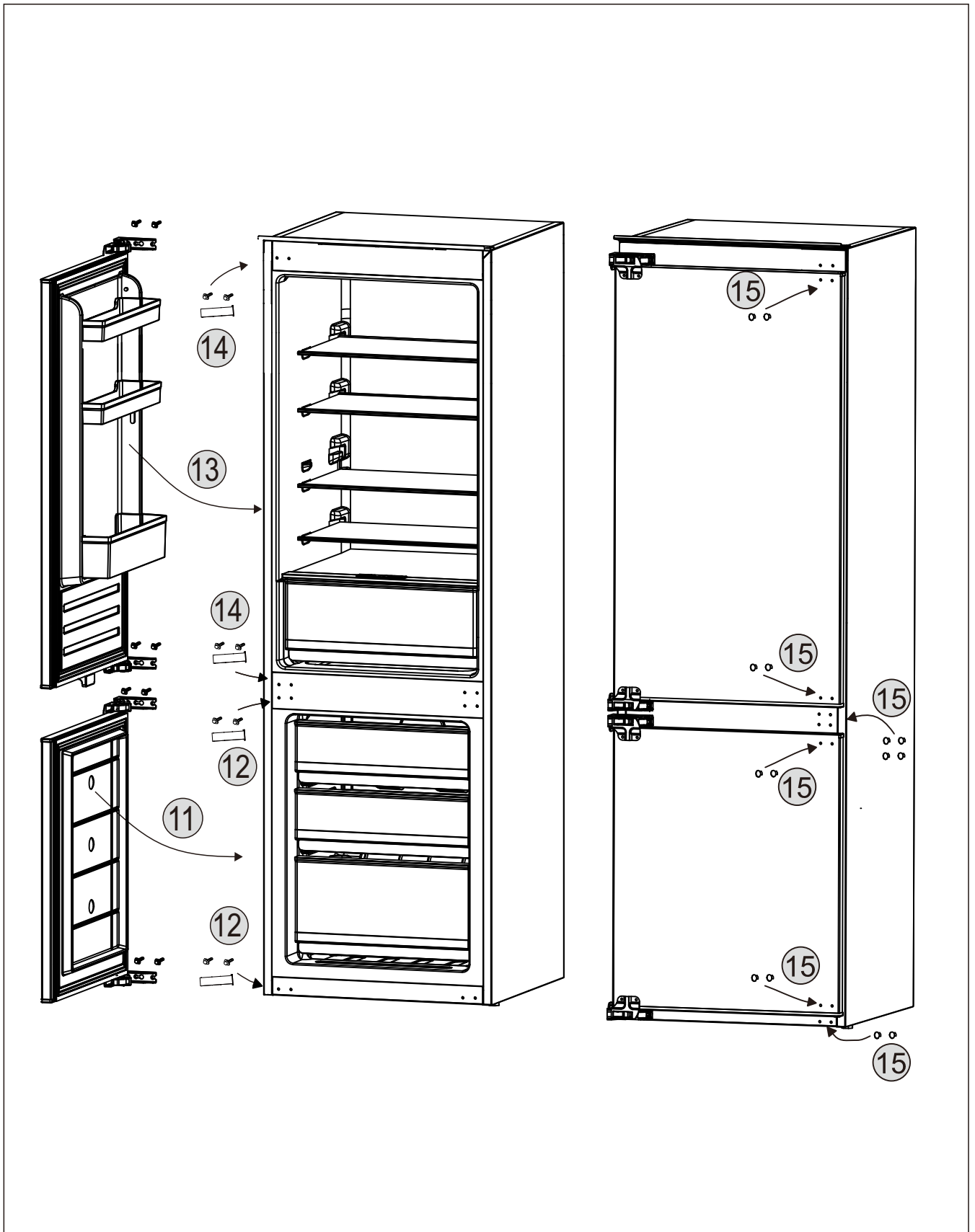


 32x	 8x	
 1x	 2x	 2x
 4x	 2x	
		



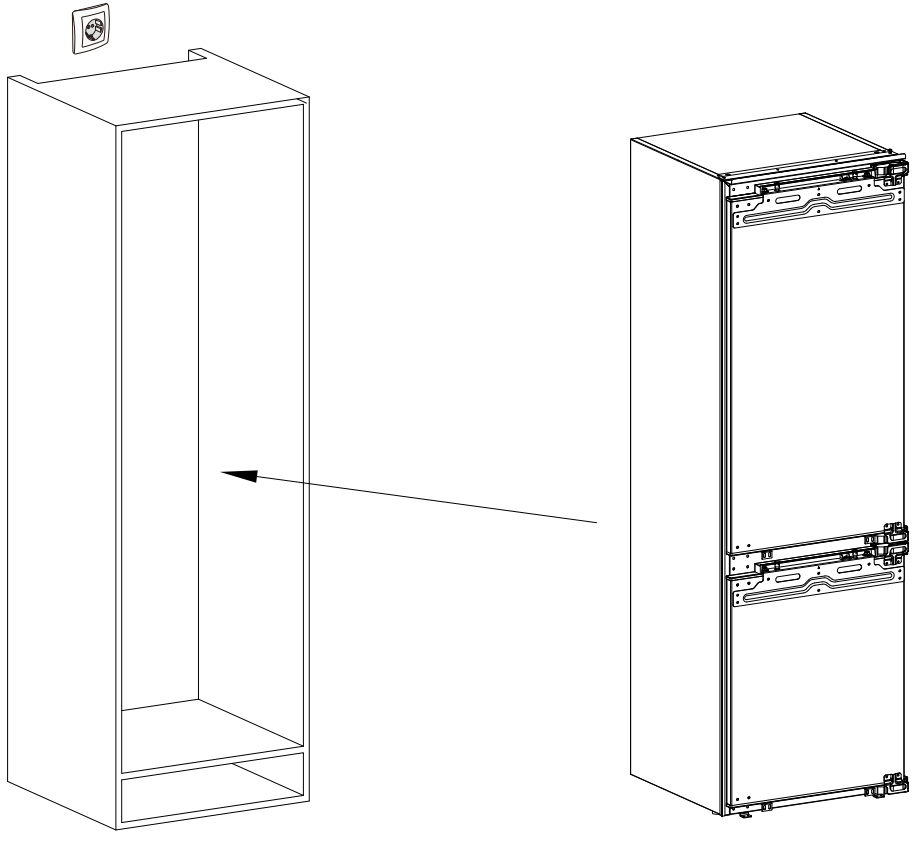
A



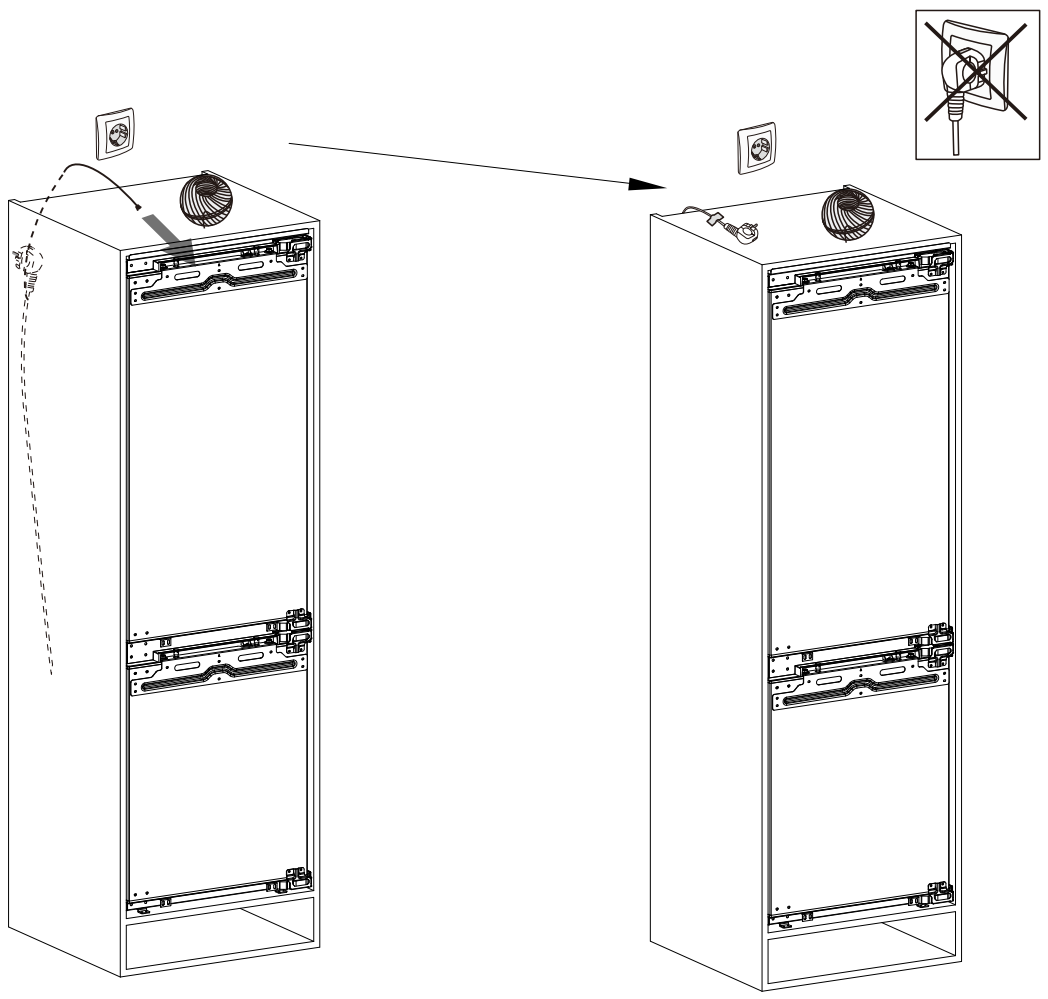


**B**

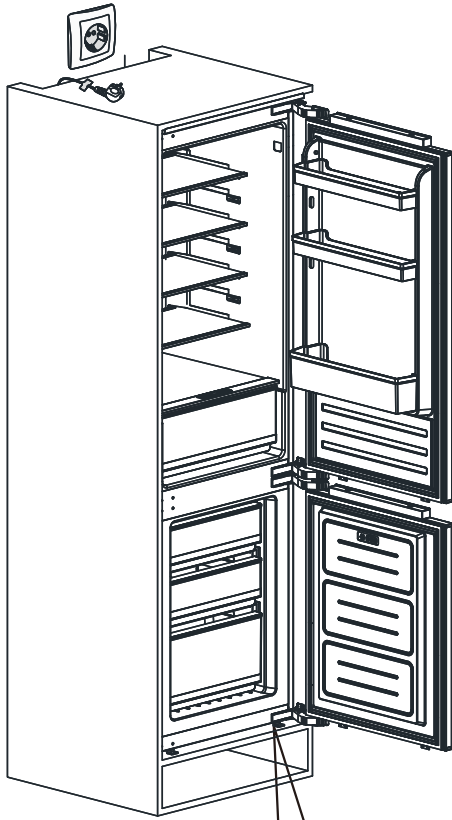
1



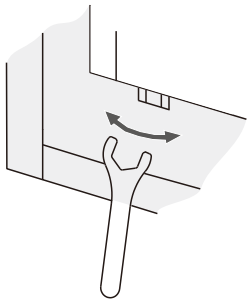
2



3

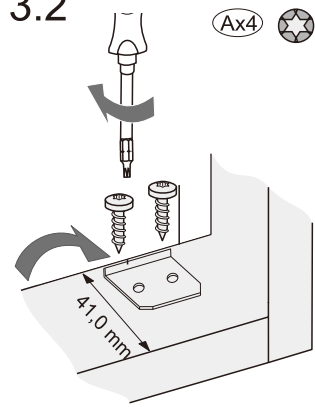


3.1

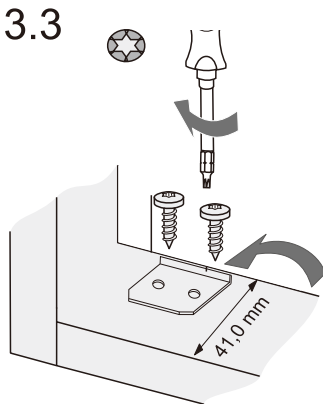


1x1

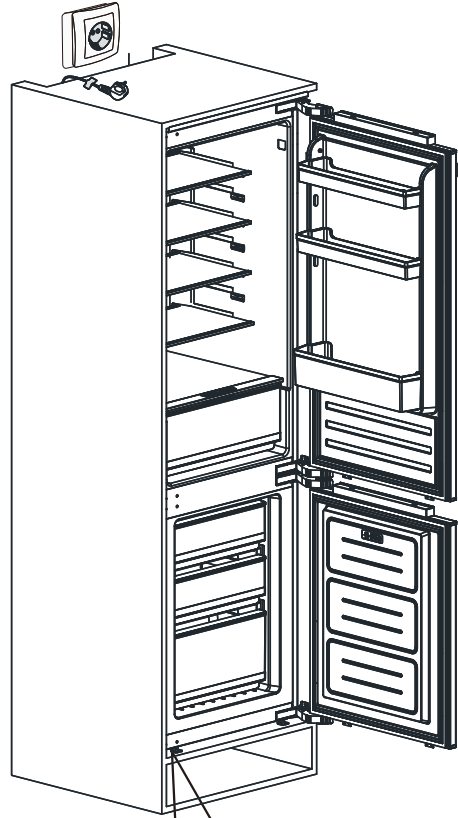
3.2



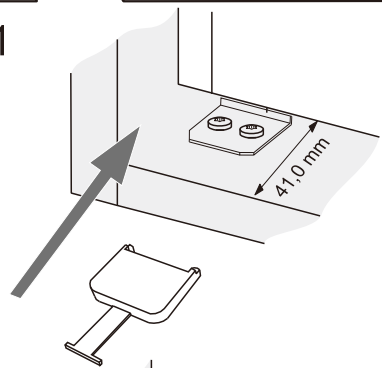
3.3



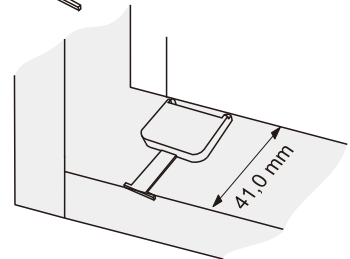
4



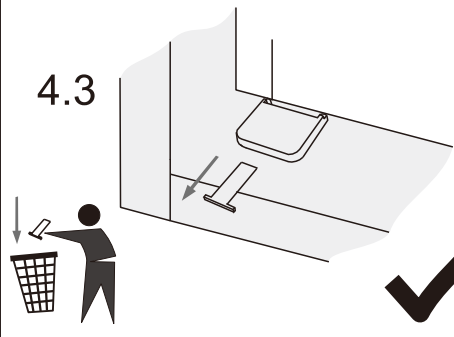
4.1



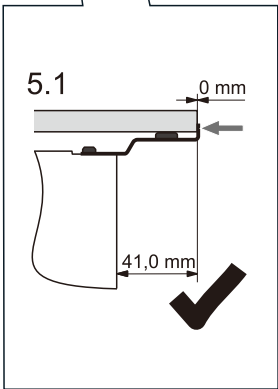
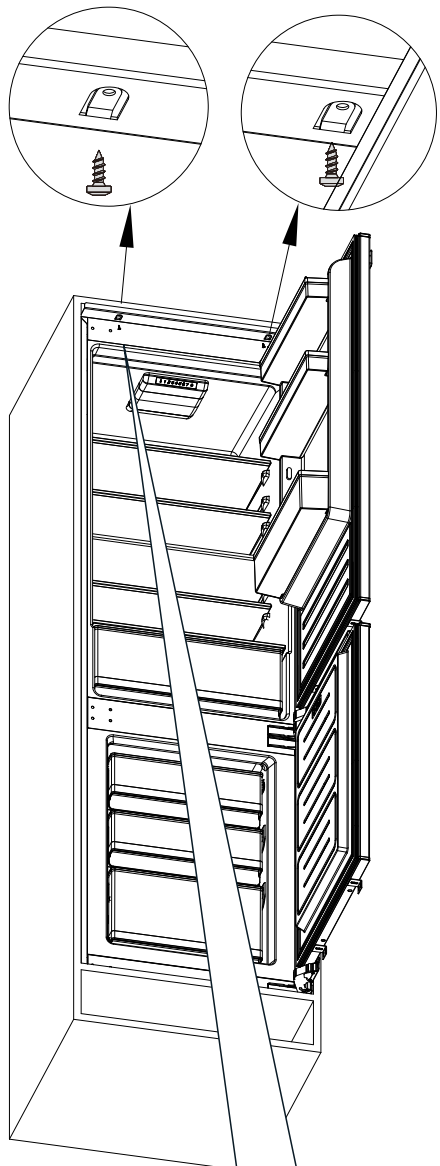
4.2



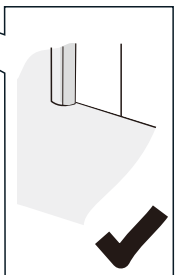
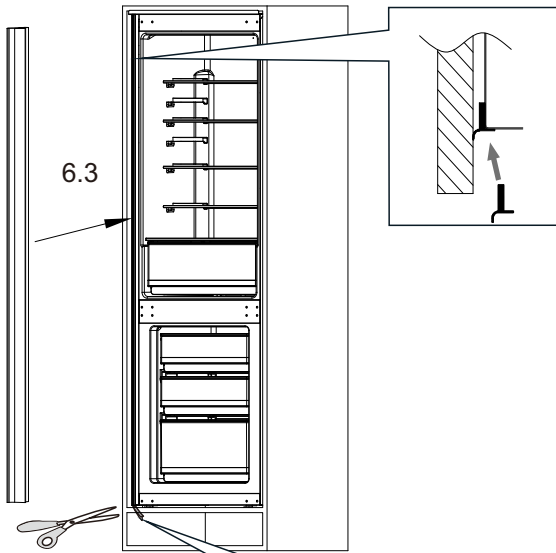
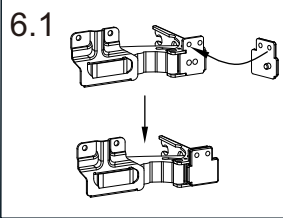
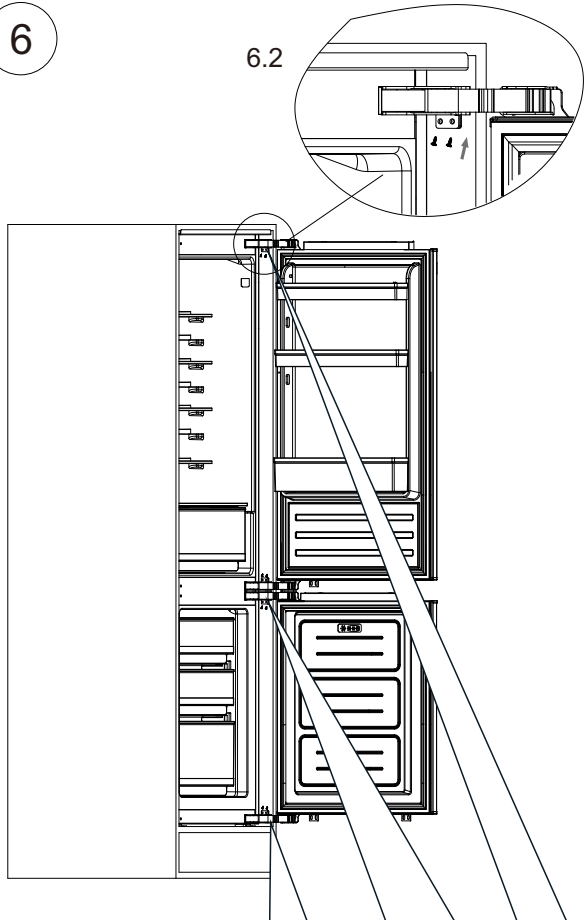
4.3



5

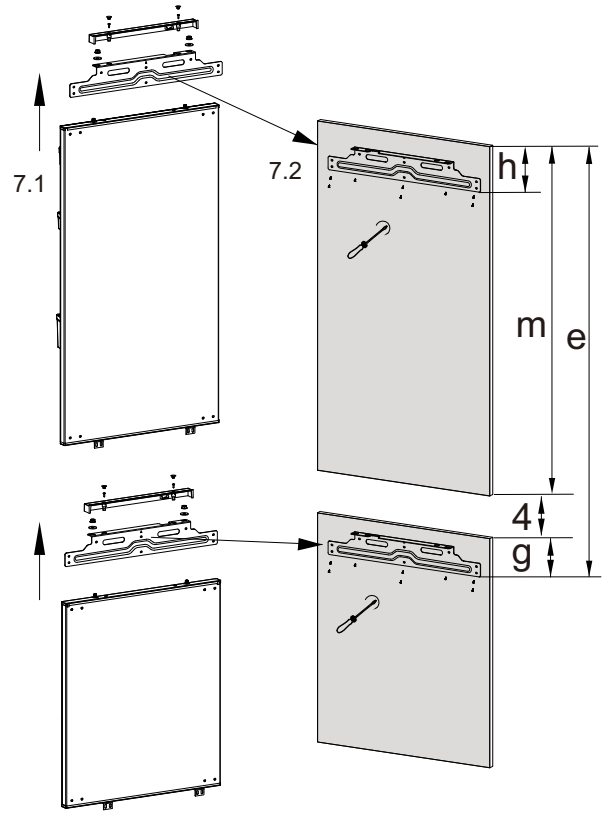
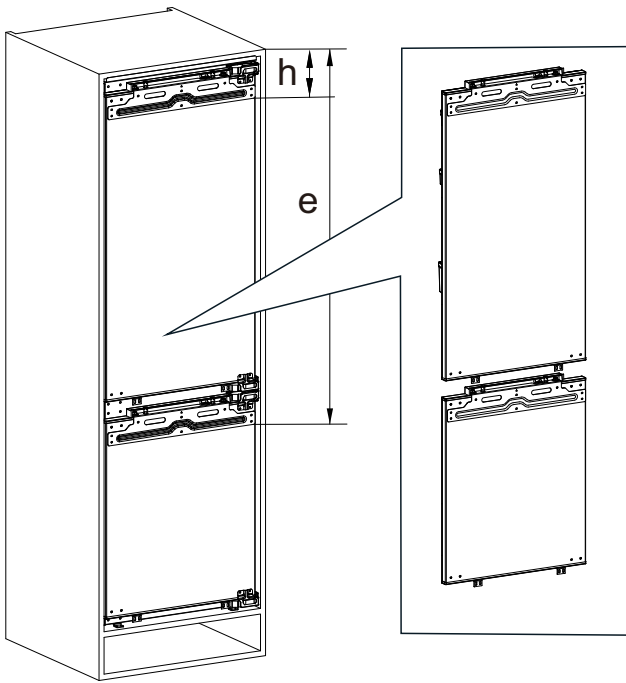


6

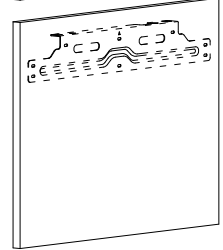
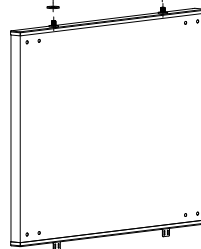
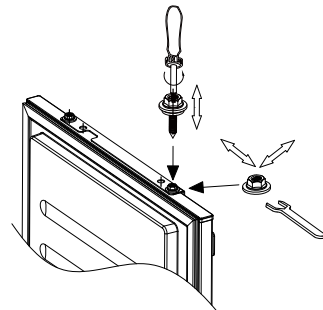
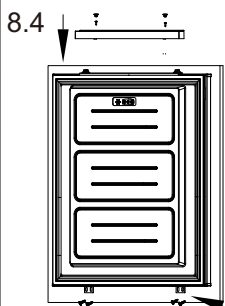
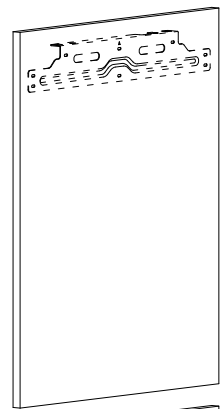
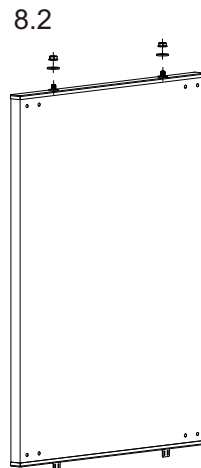
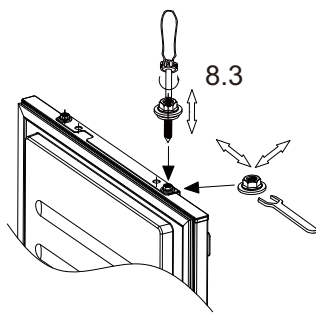
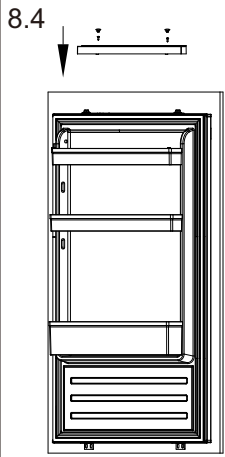


7

32x



8



8.5

