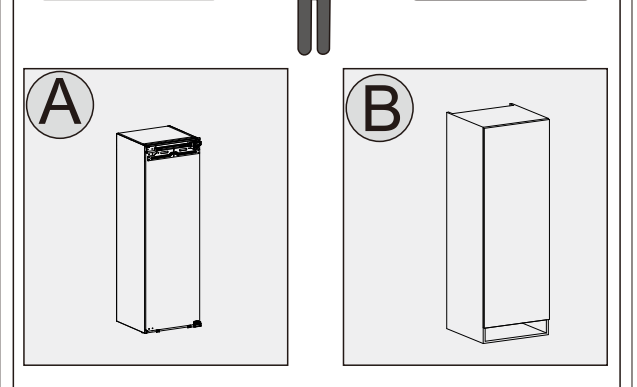
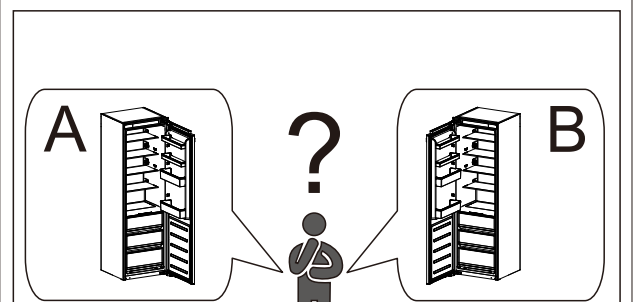
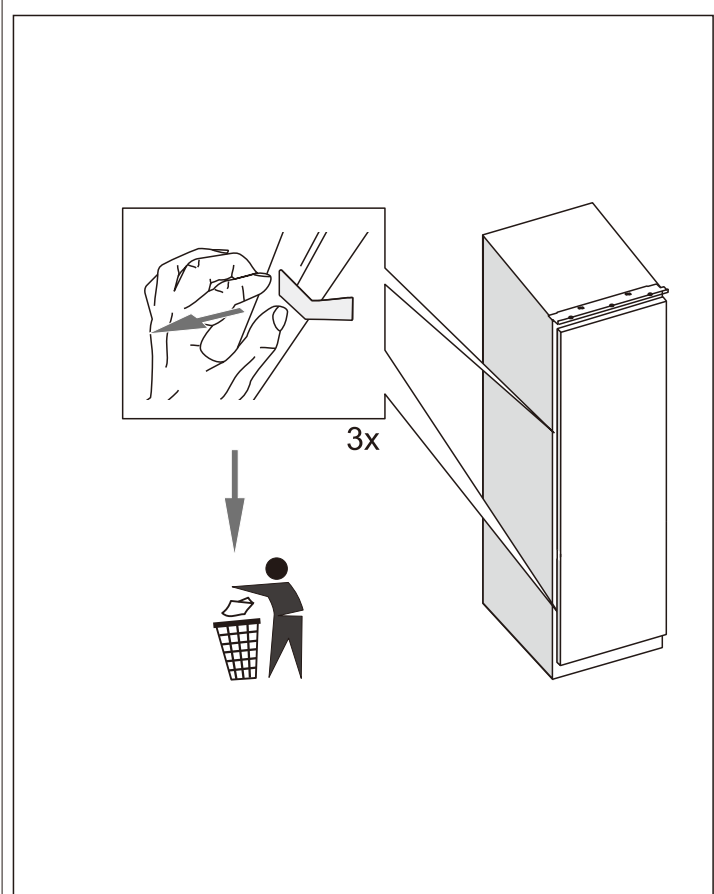
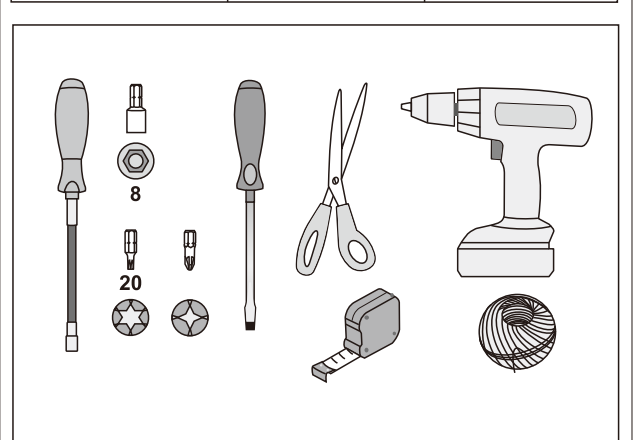
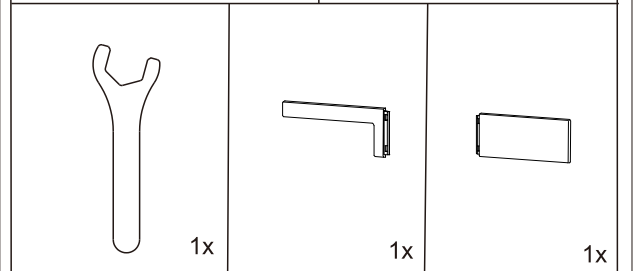
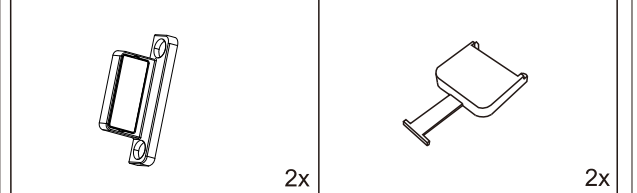
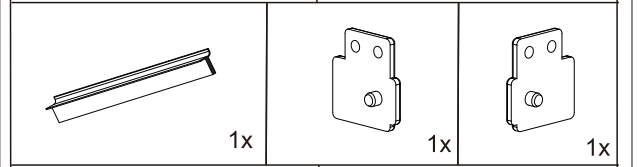
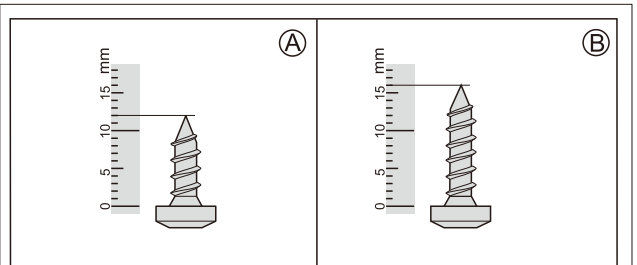
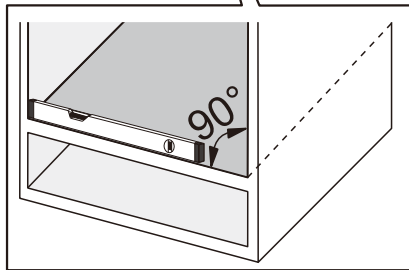
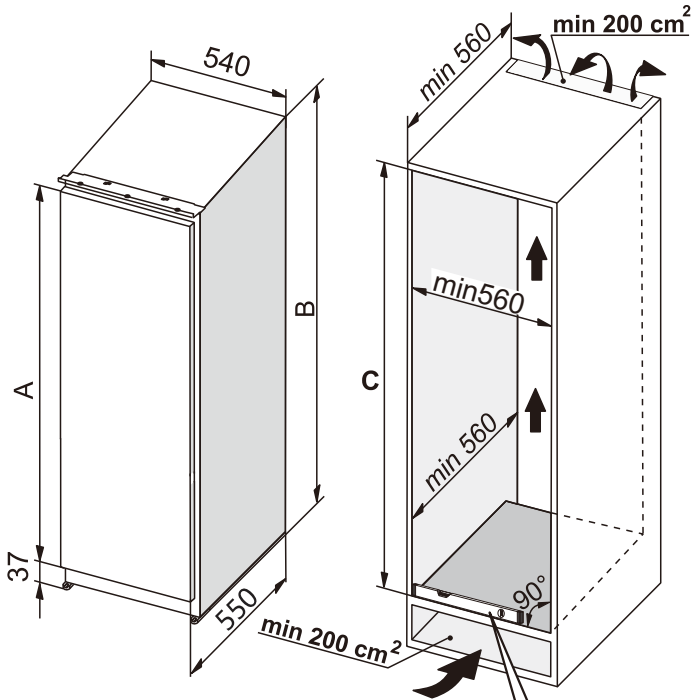
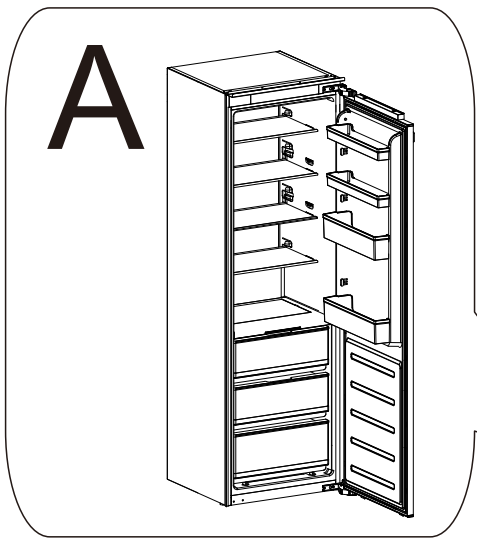




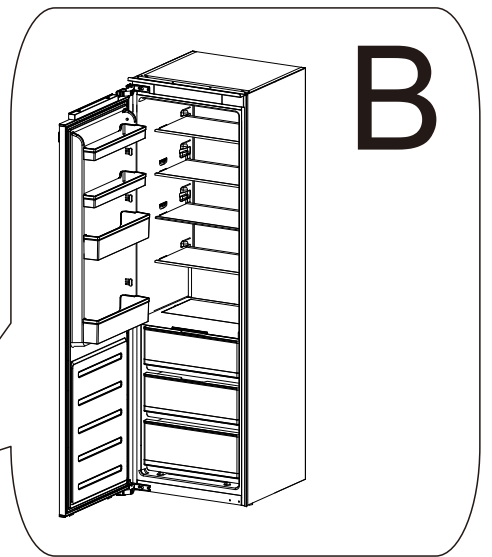
A (mm)	B (mm)	C (mm)
1680	1776	1778-1781



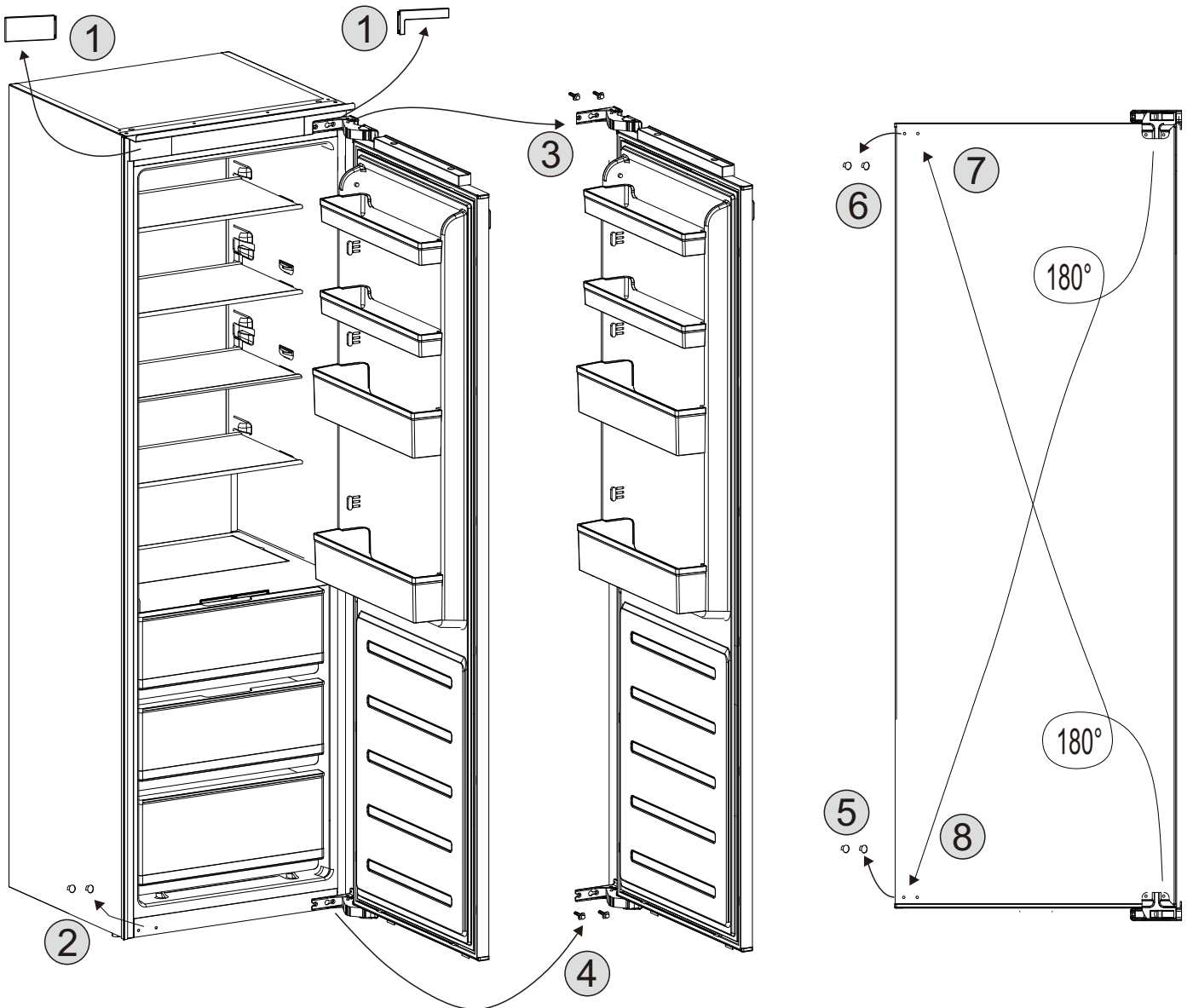
A

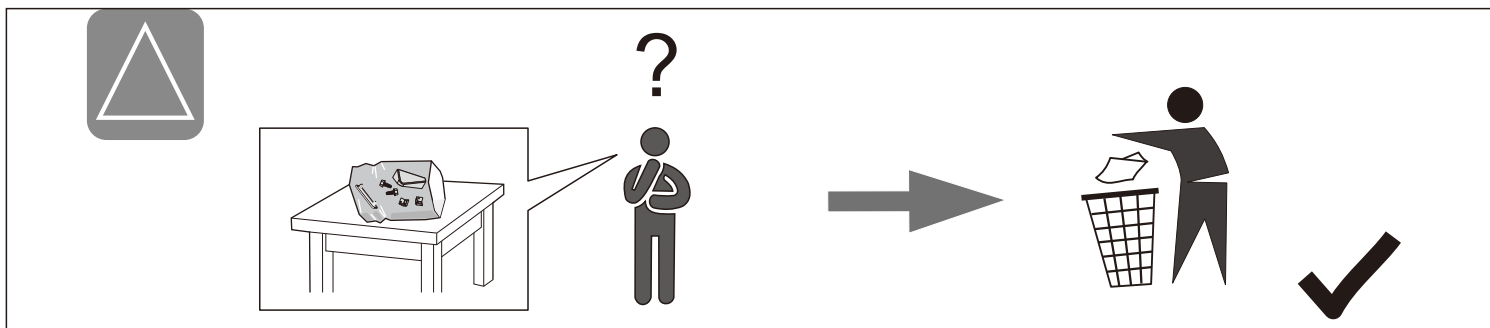
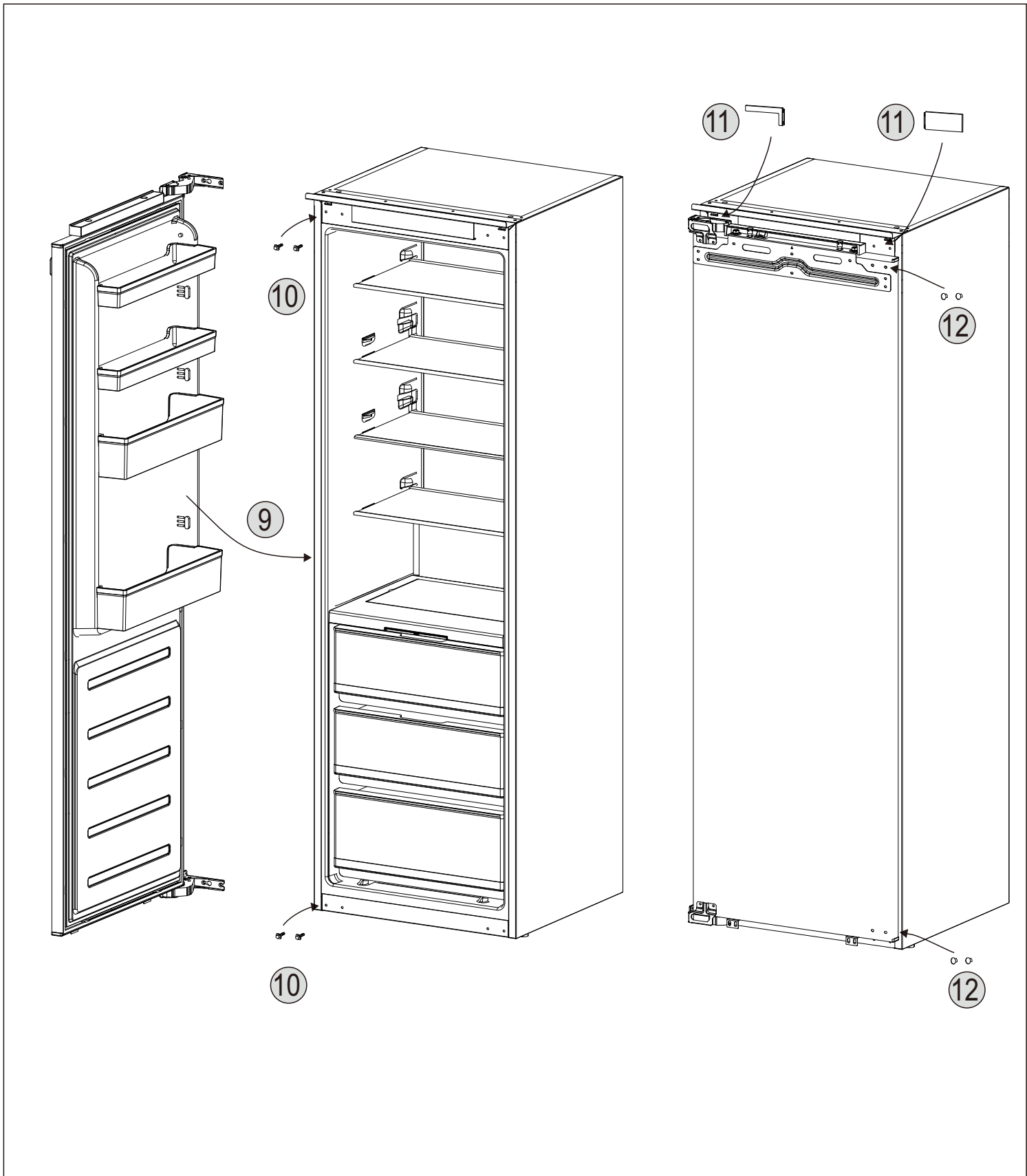


1



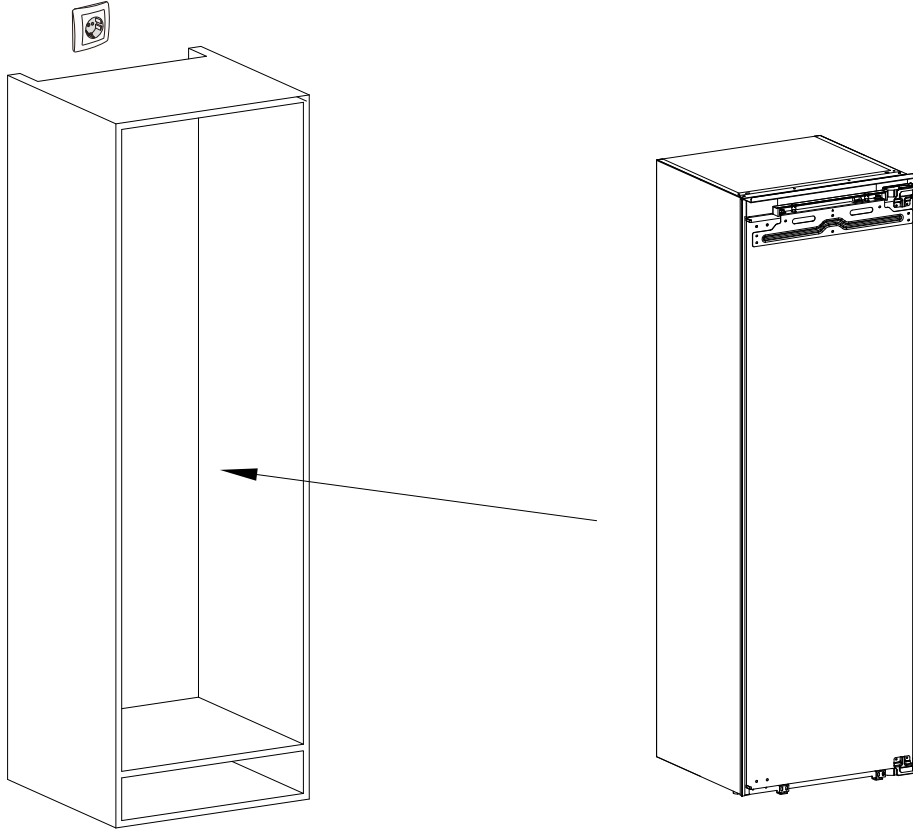
12



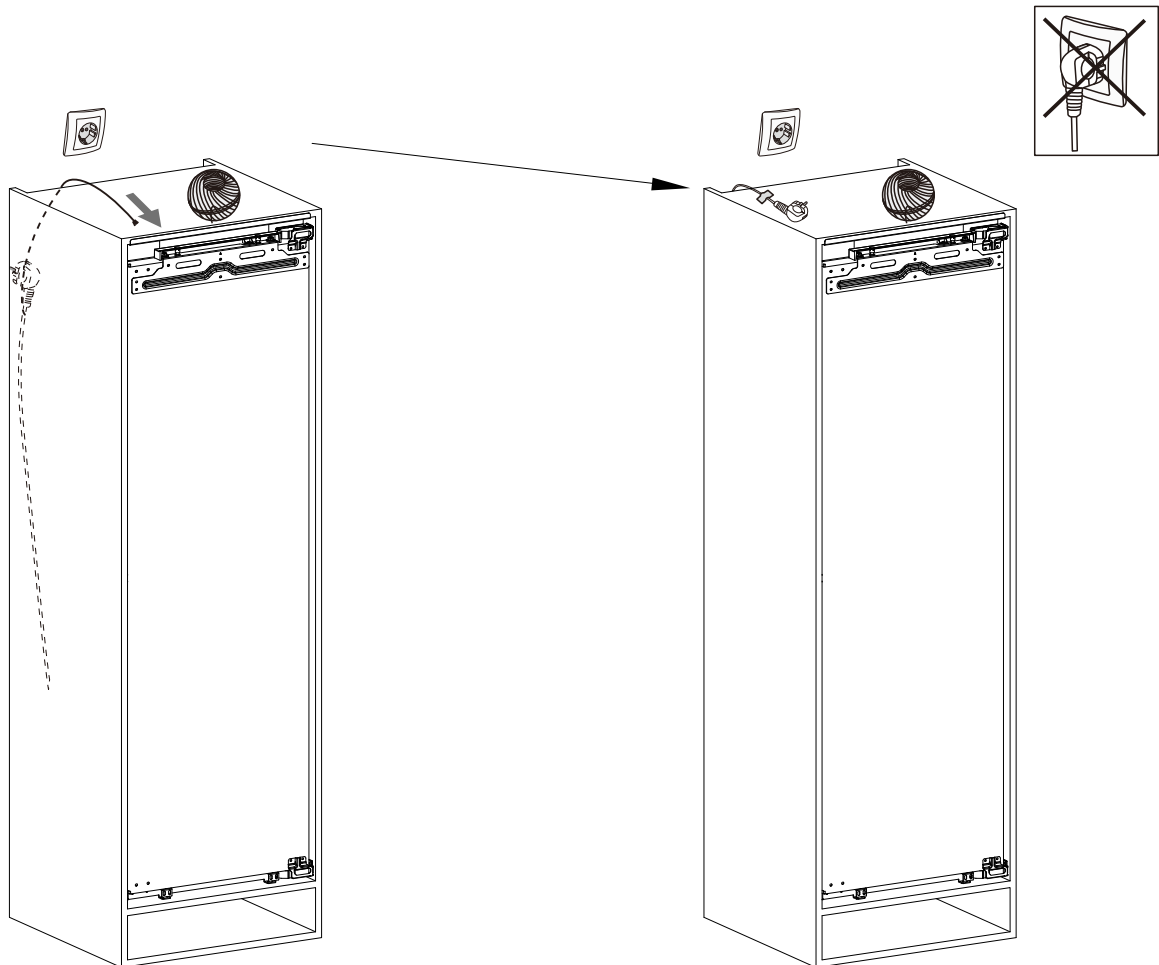


**B**

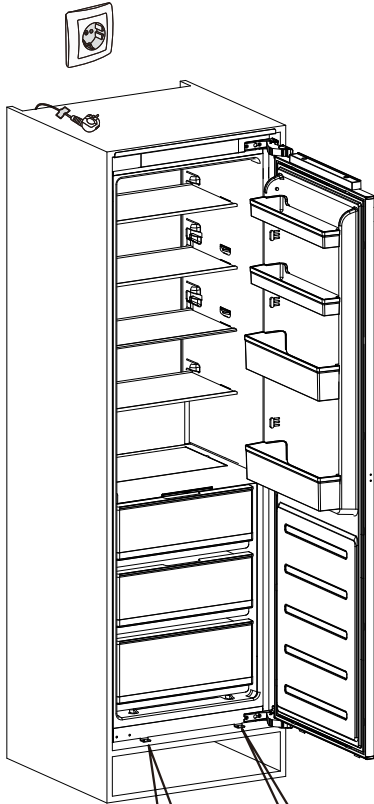
**1**



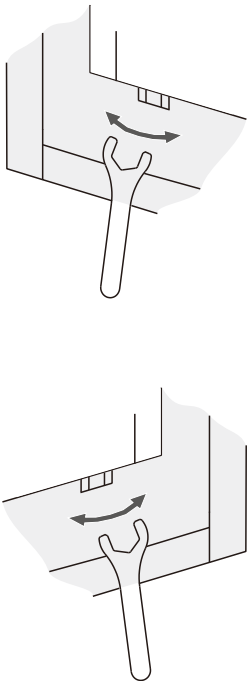
**2**



3

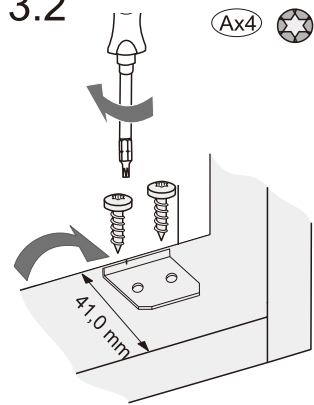


3.1

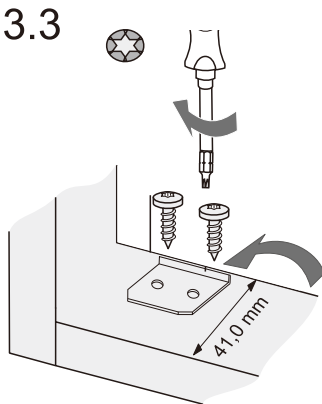


1x1

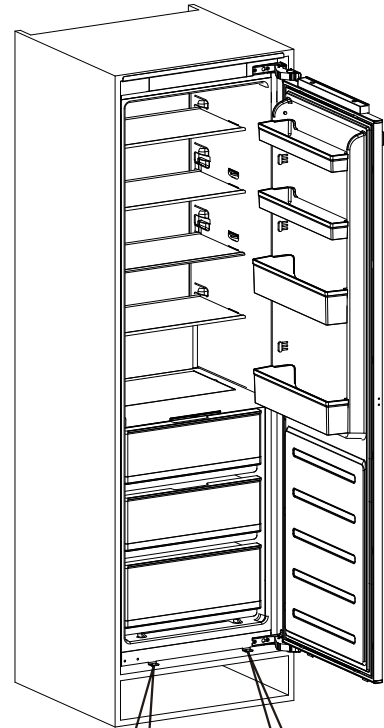
3.2



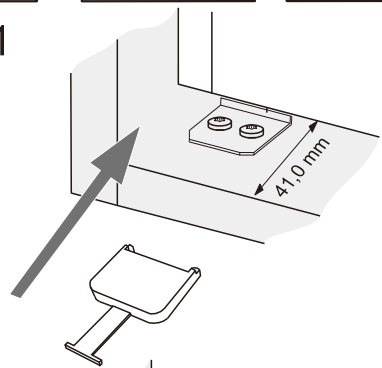
3.3



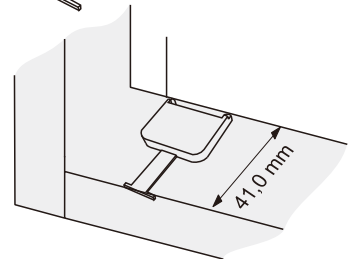
4



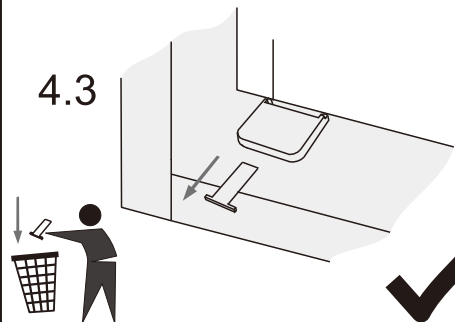
4.1



4.2

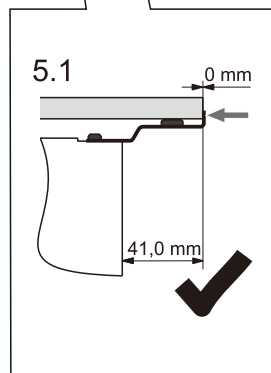
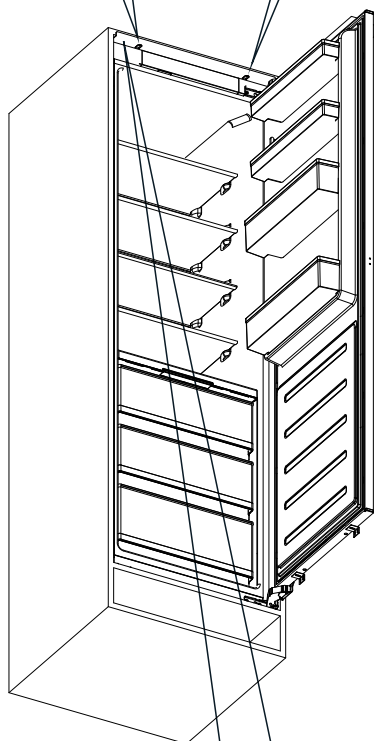
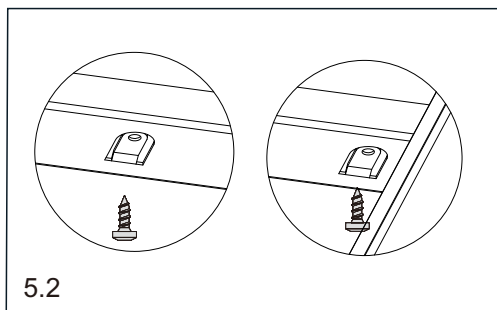


4.3



5

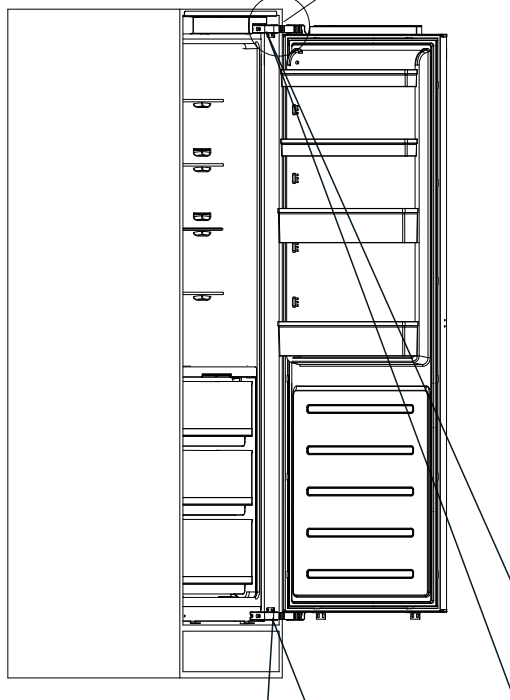
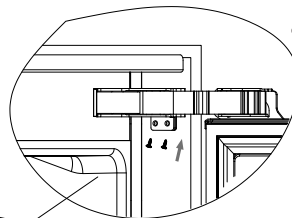
32x



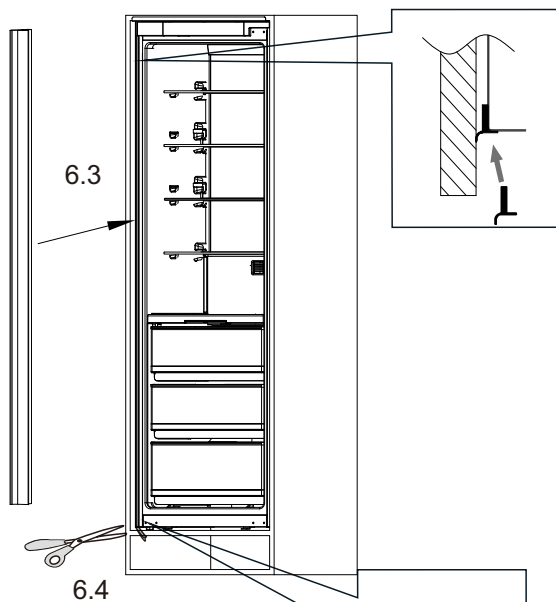
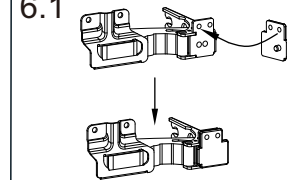
6

8x

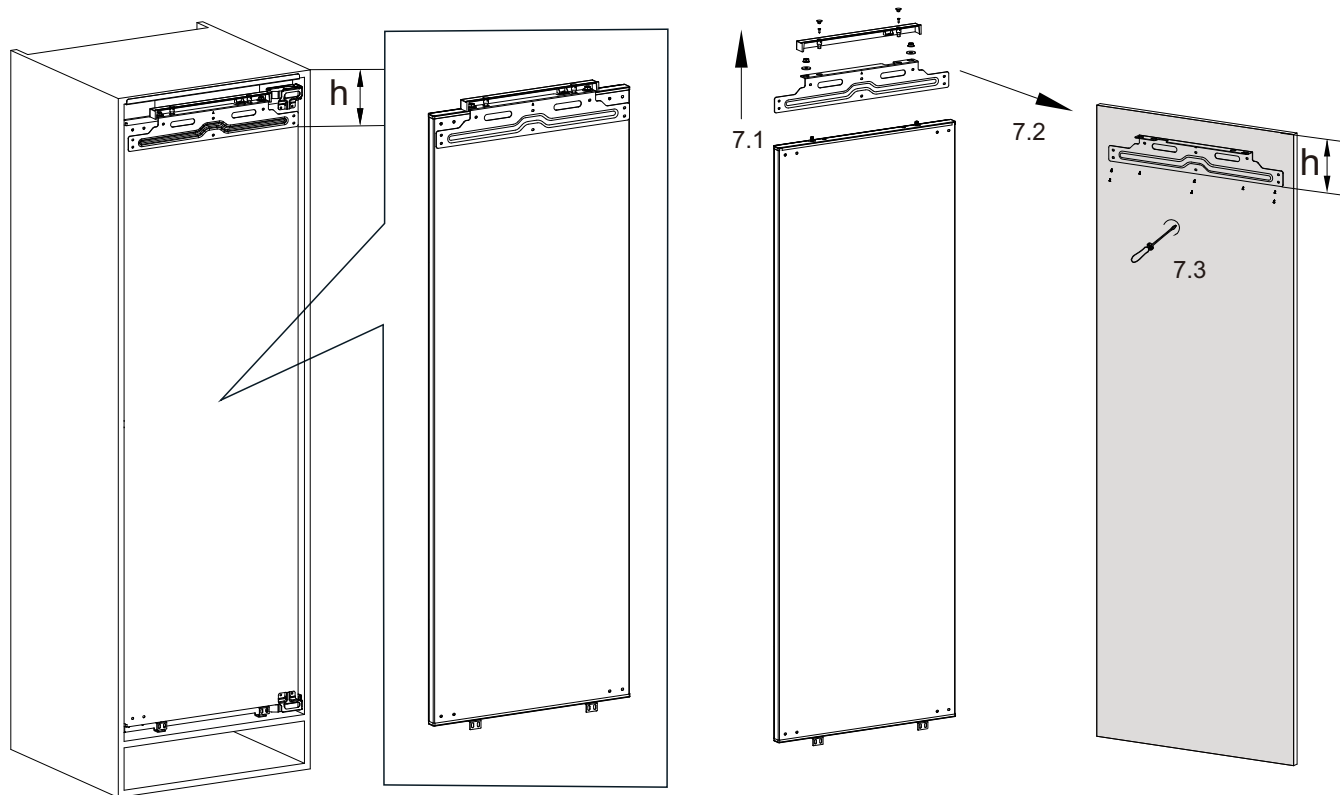
6.2



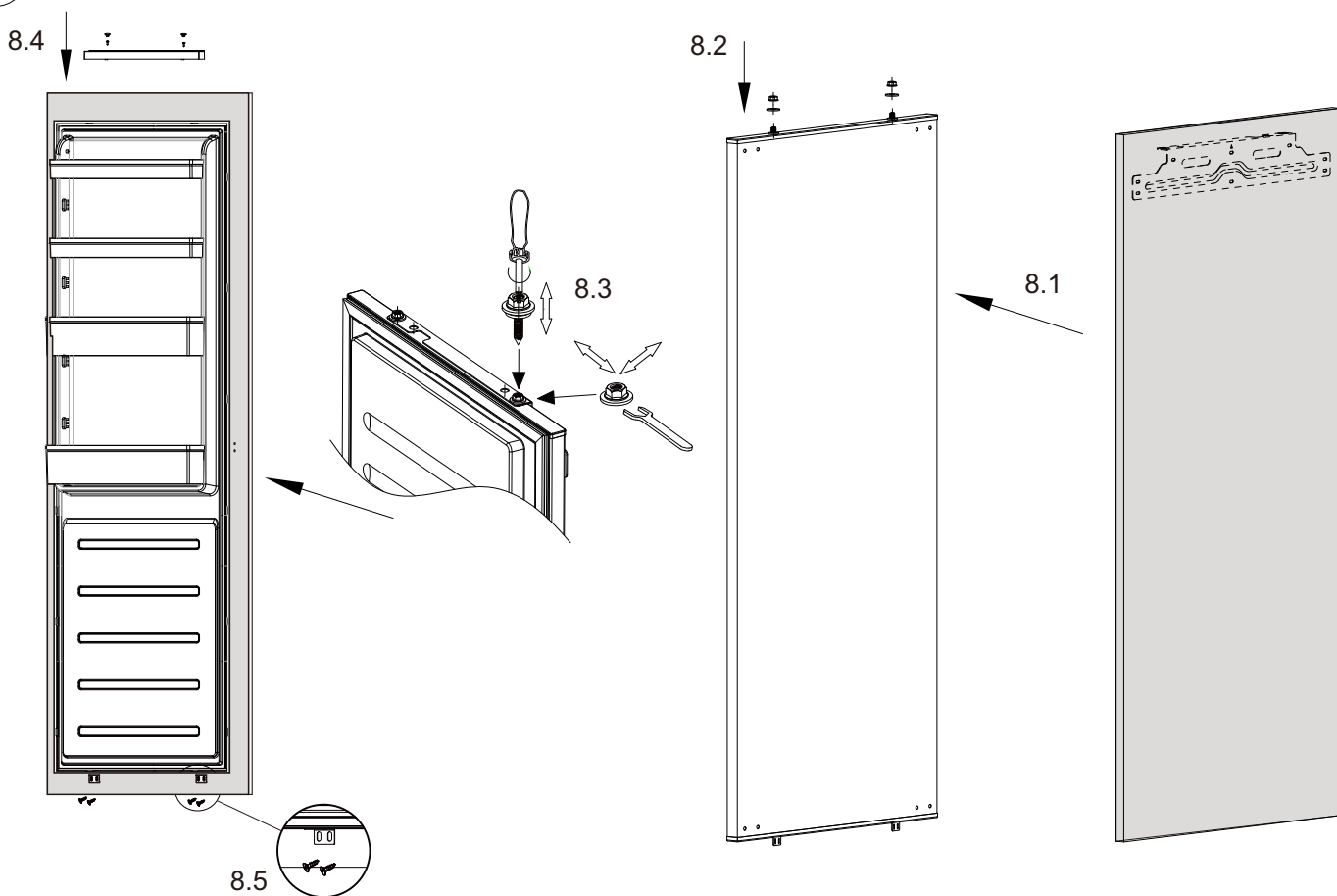
6.1



7



8



9

