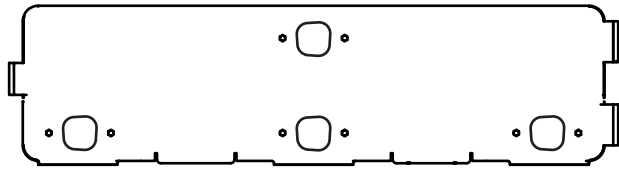


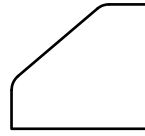
# RebounderPro

## ASSEMBLY

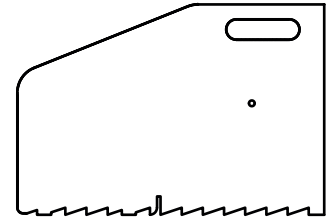
### WHAT'S IN THE BOX?



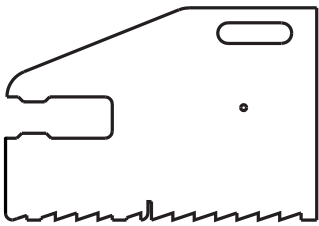
1x Main board with four metal brackets



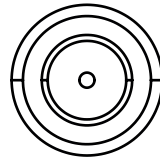
2x Rib board



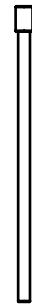
1x Leg (#1)



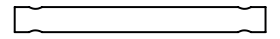
1x Leg board for wheel attachment (#2)



1x Wheel



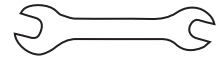
1x Connect pole



1x Wheels axle



4x Spare plastic screw



1x Wrench – M6 & M8



4x M8 50mm screw and nut



4x M6 50mm screw and nut



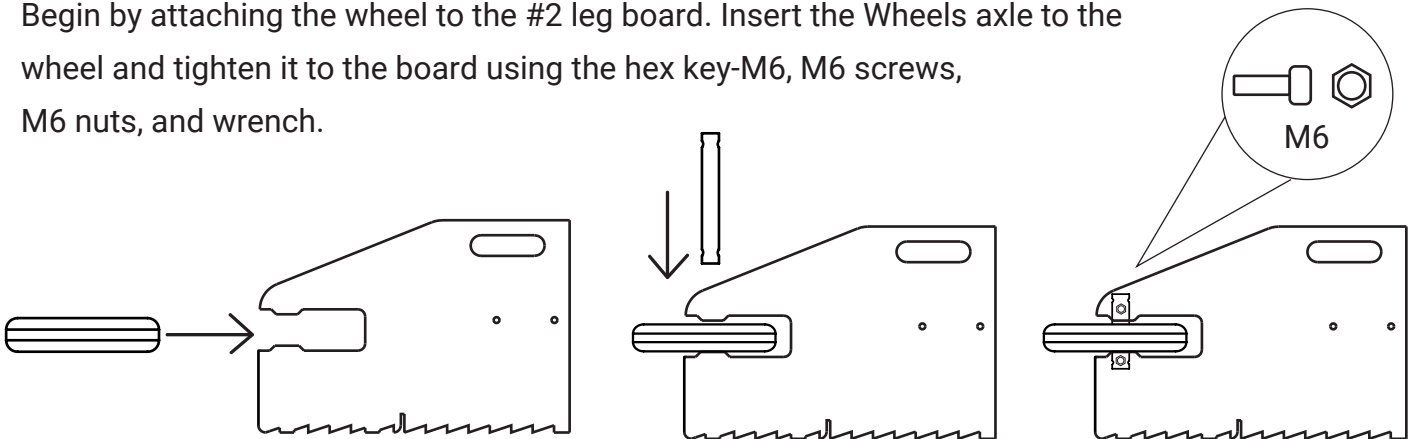
1x Hex key M6



1x Hex key M8

### STEP1

Begin by attaching the wheel to the #2 leg board. Insert the Wheels axle to the wheel and tighten it to the board using the hex key-M6, M6 screws, M6 nuts, and wrench.



Check RebounderPro assembly video

a-champs.com  
hey@a-champs.com

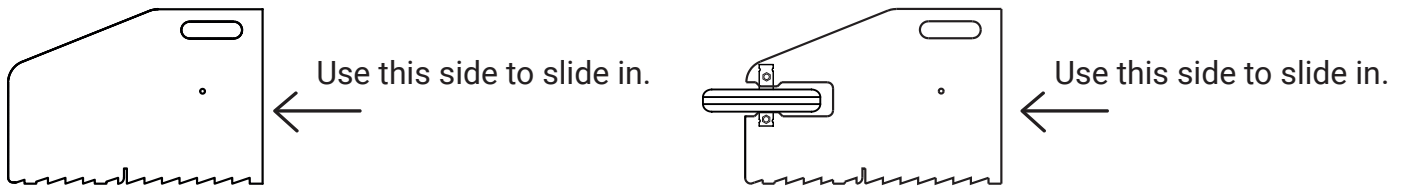
 A-CHAMPS®

# RebounderPro

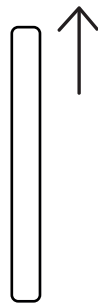
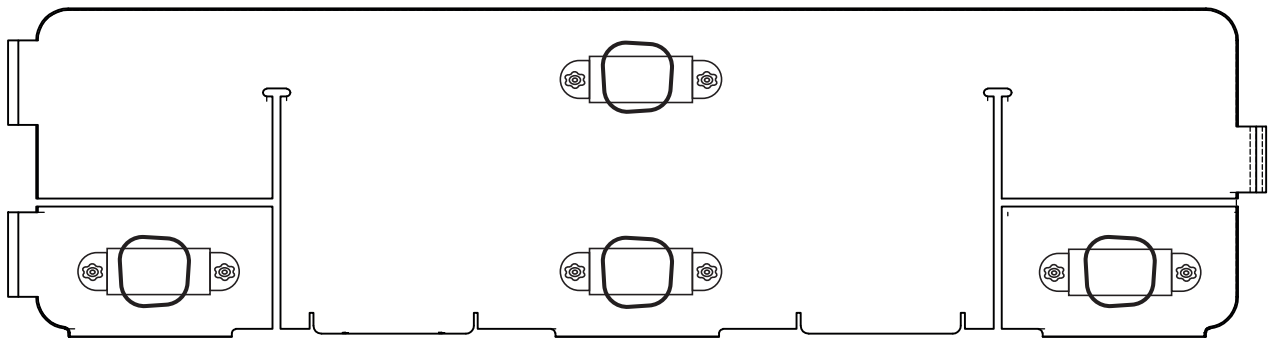
## ASSEMBLY

### STEP2

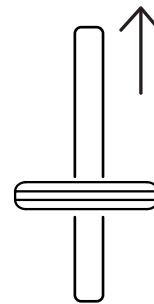
Slide the leg boards into place on the main board. The #1 leg board goes on the left side and the #2 leg board with wheel goes on the right side.



Make sure the handle is on top for both legs.



(#1) Leg board



(#2) Leg board with wheel

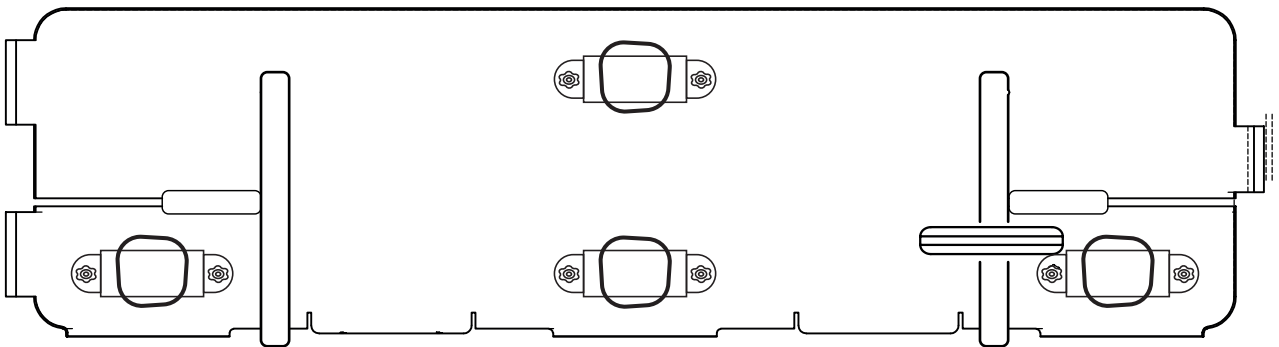
If you feel that there is some resistance when you are putting the legs in the bay, dont worry, this is normal. Insert the legs as far as possible, turn the rebounder with the handles facing upward, grab both handles and smash the legs on the ground, so that the legs slide into the bay completely.

# RebounderPro

## ASSEMBLY

### STEP3

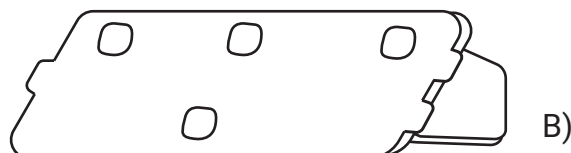
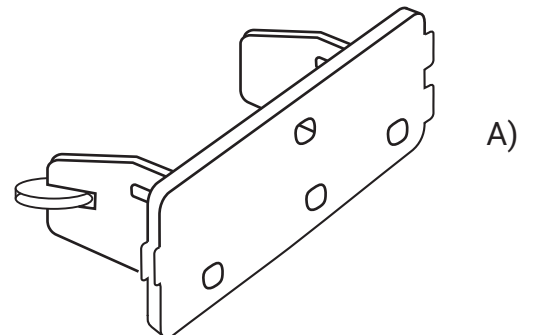
Slide the two rib boards into the main board and tighten them to the leg boards using the M8 screws, M8 nuts, hex key-M8, and wrench.



Position the Rebounder for its intended use.

A) Ground rebounding: Long side of the legs should be on the ground.

B) Air rebounding: Turn the Rebounder around and place it on the diagonal side of the legs.

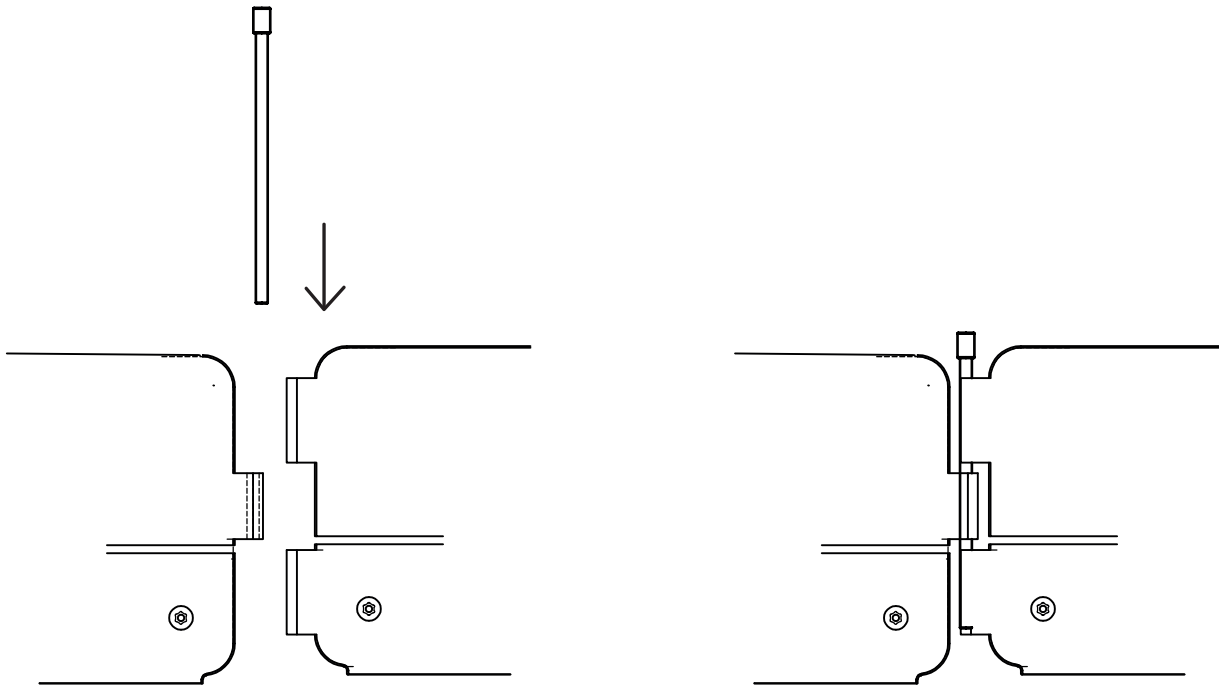


# RebounderPro

## ASSEMBLY

### STEP4

If using multiple RebounderPro, use the connect pole to attach them together.



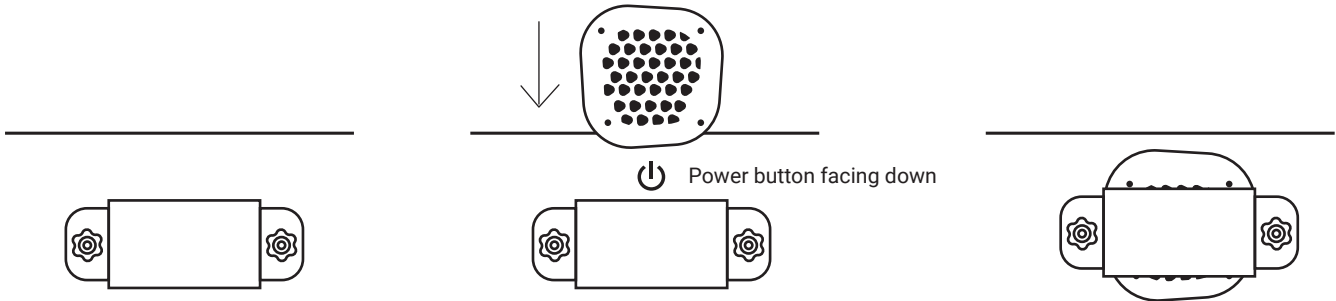
### IMPORTANT INFORMATION:

- Consider wearing gloves during installation to avoid potential injury.
- Make sure to save the spare screws as duplicates are hard to find elsewhere at nearby stores.
- It is normal for screws to loosen over time so make sure to tighten them every once in a while.

# RebounderPro

## ASSEMBLY

### HOW TO INSERT YOUR ROX/ROXPRO/ROXPROX INTO THE REBOUNDER?



- 1 · Loosen the screw nuts without taking them off the screw.
- 2 · Slide in the ROX/ROXPro/ROXProX from the top with the ON button facing upwards and the white ROXROX/Pro front side facing towards the hole in the rebounder.
- 3 · Once the ROX/ROXPro/ROXProX is in position, tighten the screw nuts.
- 4 · If you have difficulty putting the ROX/ROXPro/ROXProX in position, try taking one screw nut off completely.

NOTE: If possible, turn on the ROX/ROXPro/ROXProX before you slide it into the Rebounder. If you cannot turn it on in advance (ex. the ROX/ROXPro/ROXProX were previously inserted from a past training), then unscrew the nuts enough to reach the ON button.

# RebounderPro

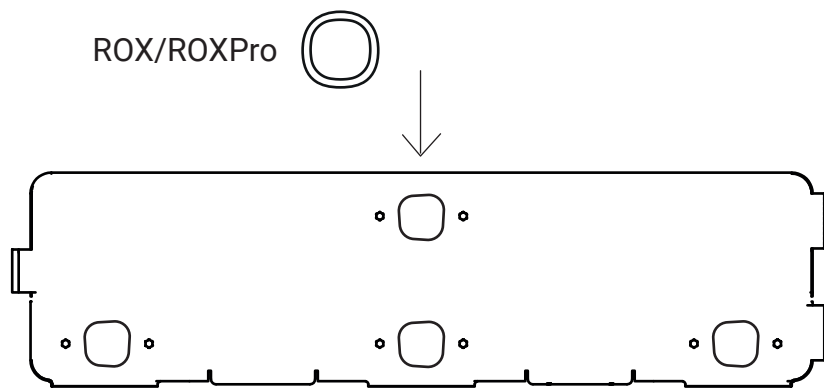
## ASSEMBLY

WHICH ROX MODEL SHOULD YOU USE?

### TOP ROW – ROX/ROXPro

– The top ROX attachment is made for the use of ROX and ROXPro. ROX and ROXPro both work with a vibration sensor that detects the impact of the ball hitting the rebounder. This setup is made up to train ball skills combined with perception, decision making and reaction.

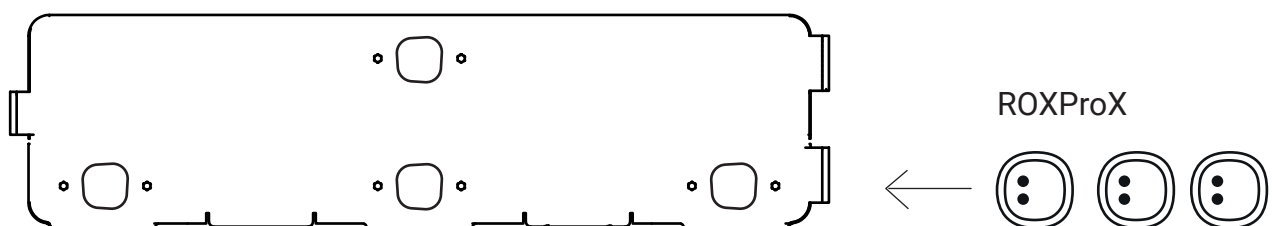
– The top ROX attachment is **NOT** made for ROXProX use. ROXProX works with laser sensor only and thus the impact of the ball hitting the rebounder cannot be detected. If you have ROXProX, please insert them into the bottom attachments so that you can train precision skills.



### BOTTOM ROW – ROXProX

– The bottom 3 ROX attachments are made for the use of ROXProX only. ROXProX works with a laser sensor and detects if a ball is hitting the laser that comes out of ROXProX. This setup is made up to train precision passing skills combined with perception, decision making and reaction.

– The bottom ROX attachments are **NOT** made for ROX and ROXPro use. ROX and ROXPro work with a vibration sensor and thus any impact on the board, no matter if directly on the ROX or not will make the sensor go off. If you have ROX or ROXPro, please insert them into the top attachment so that you can train basic rebounding skills.



# RebounderPro

## ASSEMBLY

### **IMPORTANT INFORMATION:**

- Due to movement during shipment, the Rebounder may be scratched up upon arrival. This is due to the Rebounder's weight and it will not impair the product's functionality.
- The Rebounder is completely waterproof. You can leave it outside in the rain. Just make sure to take off the ROX after your training.
- The Rebounder is designed to stay in place when training on grass. If training on turf, add a sandbag or other weight behind the Rebounder if you would like extra support.

hey@a-champs.com  
www.a-champs.com

RebounderPro ASSEMBLY

 **A-CHAMPS®**