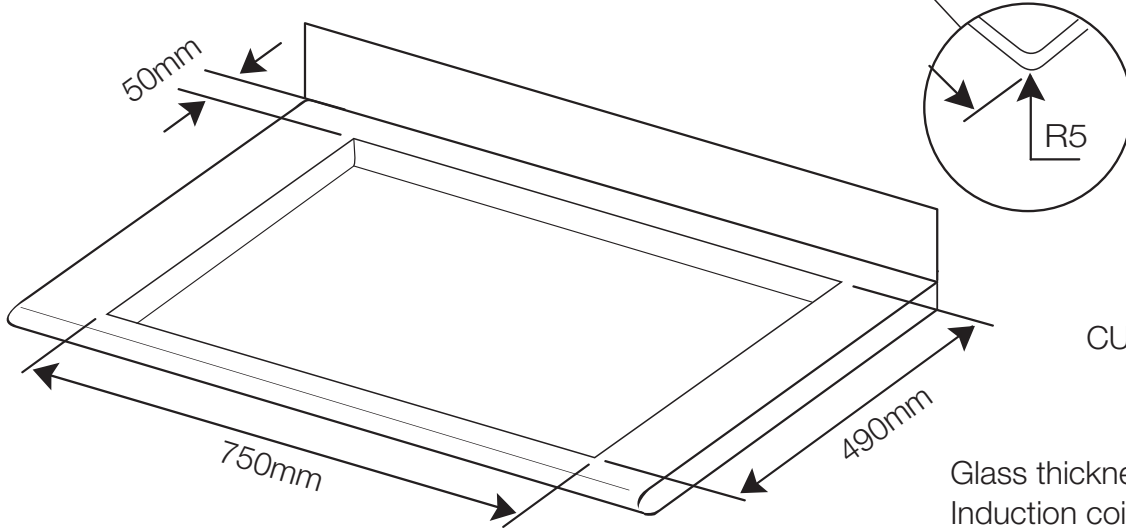
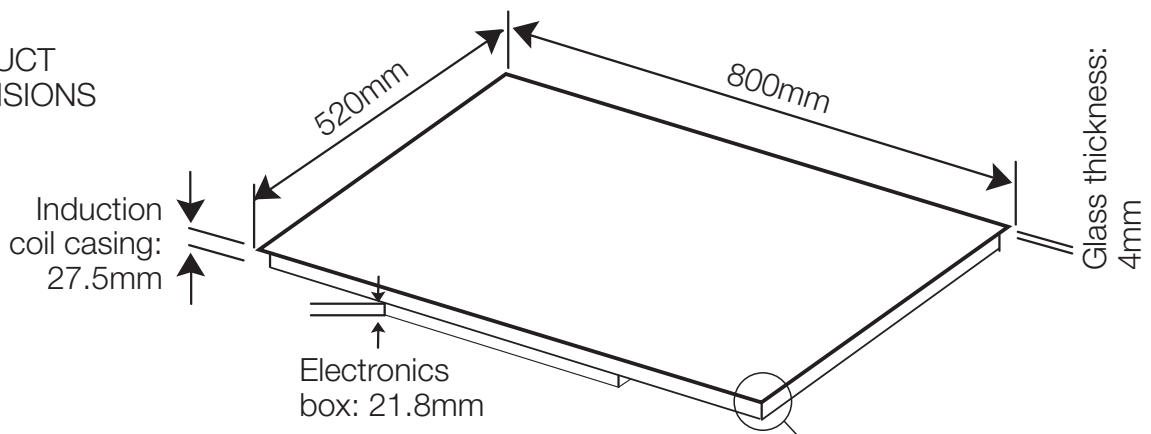


PRODUCT DIMENSIONS



CUT-OUT

- Glass thickness: 4mm
- Induction coil casing: 27.5mm
- Electronics box: 21.8mm
- Overall height: 53.3mm