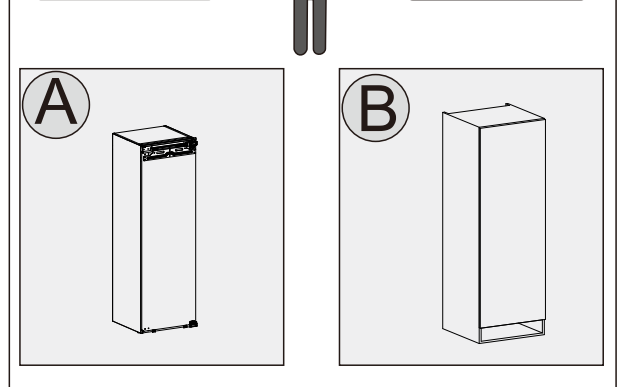
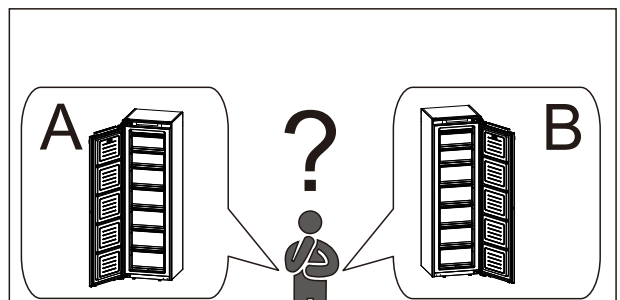
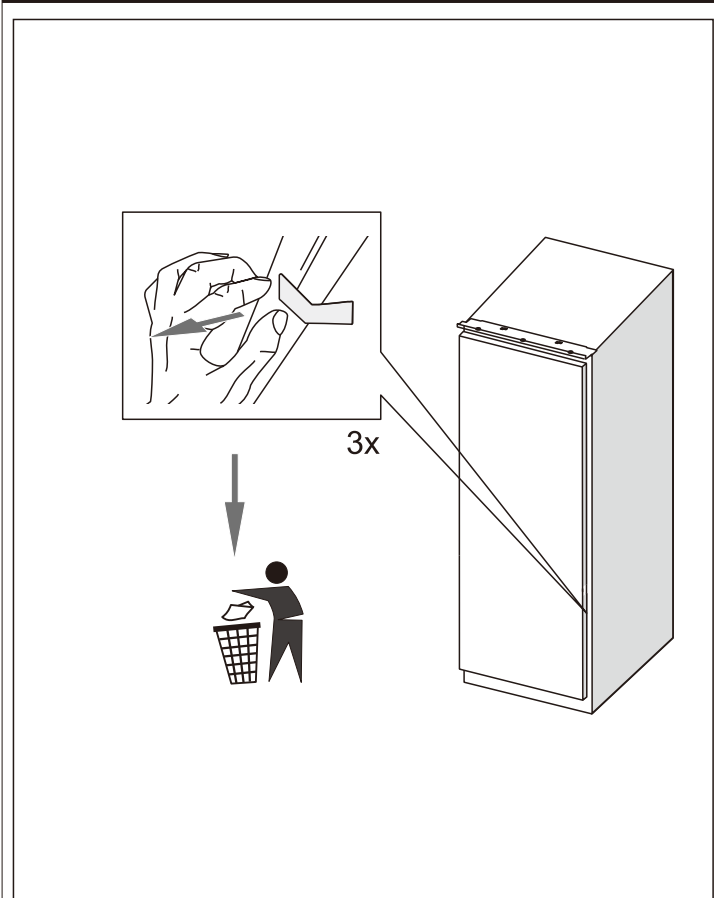
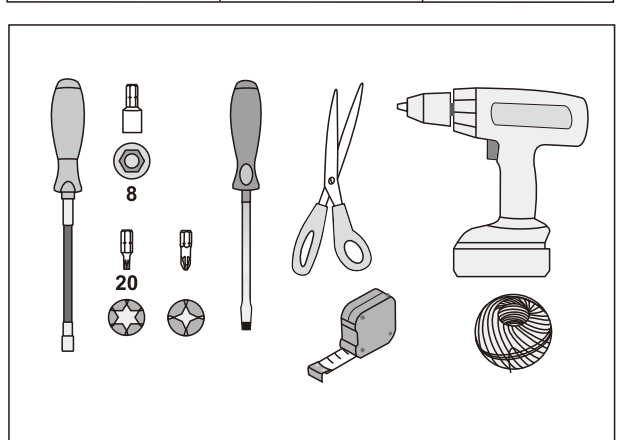
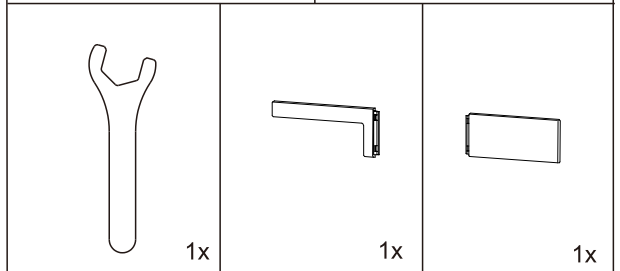
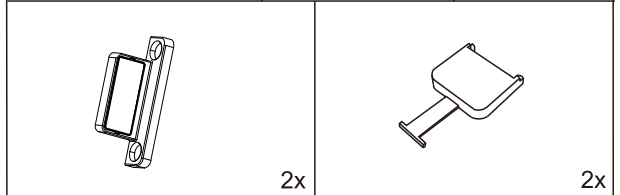
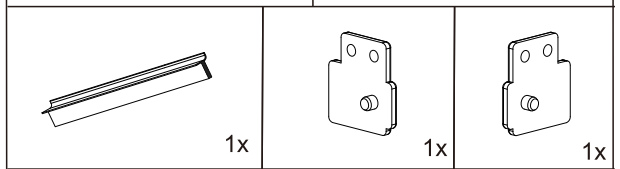
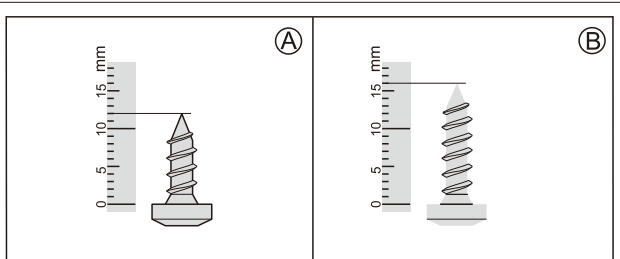
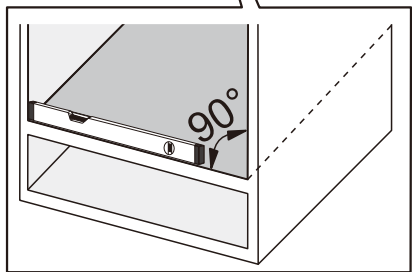
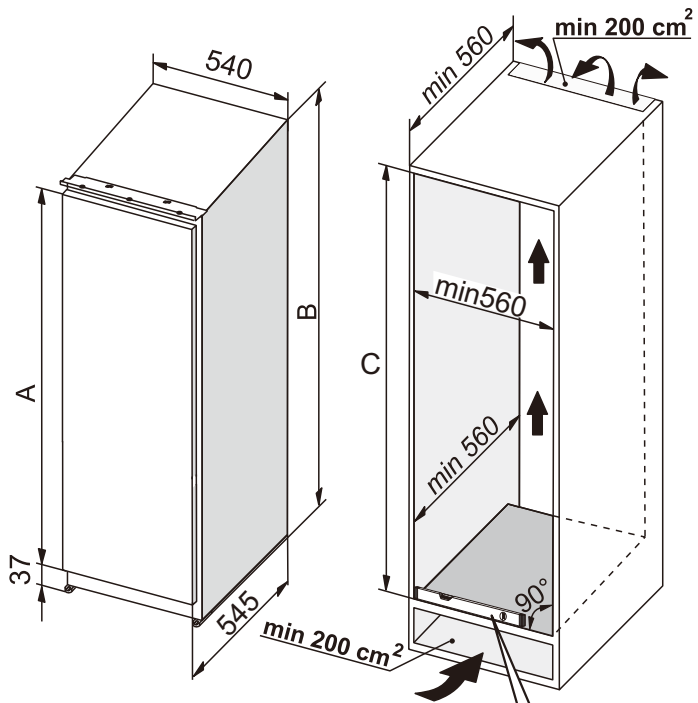
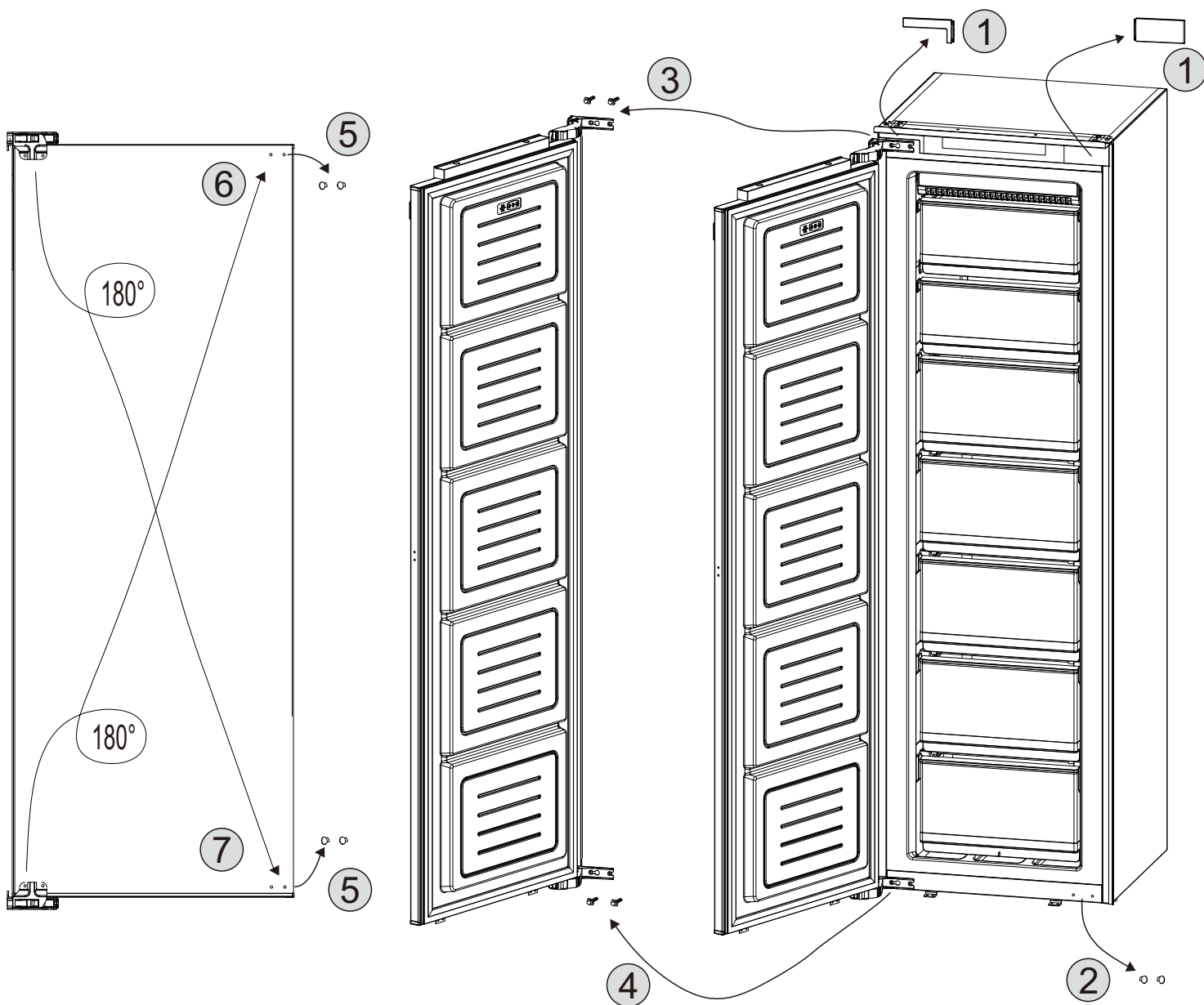
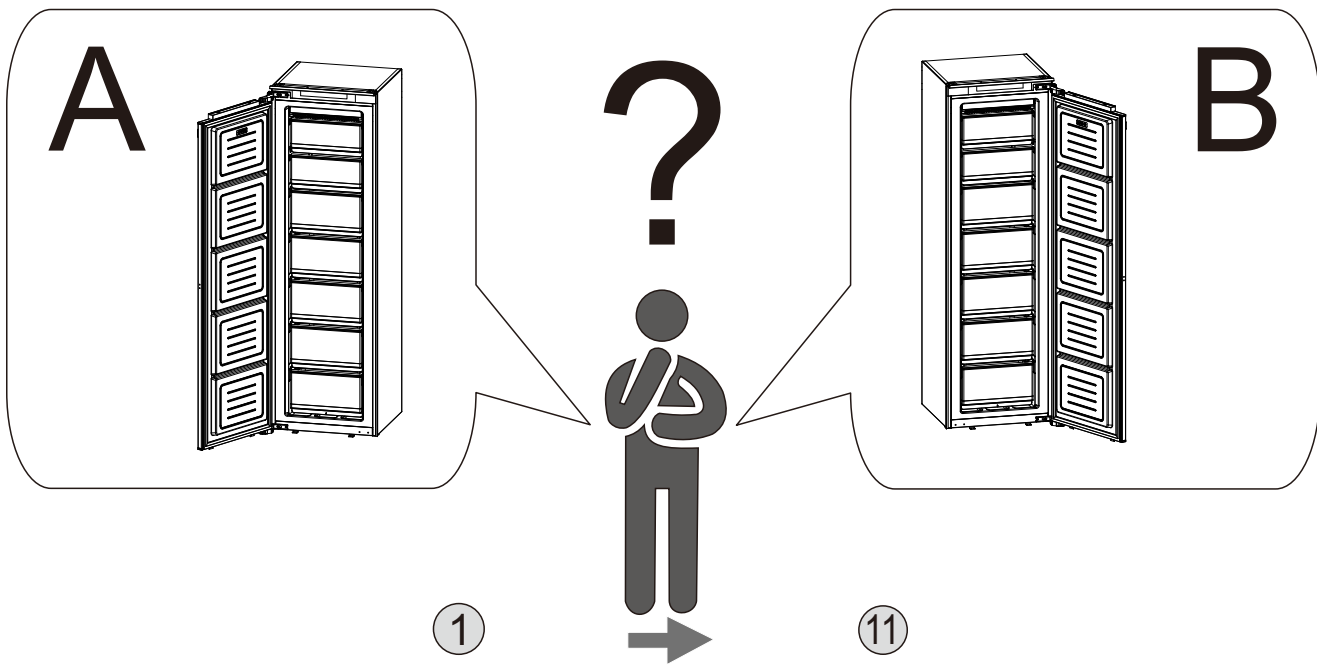


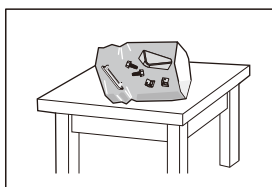
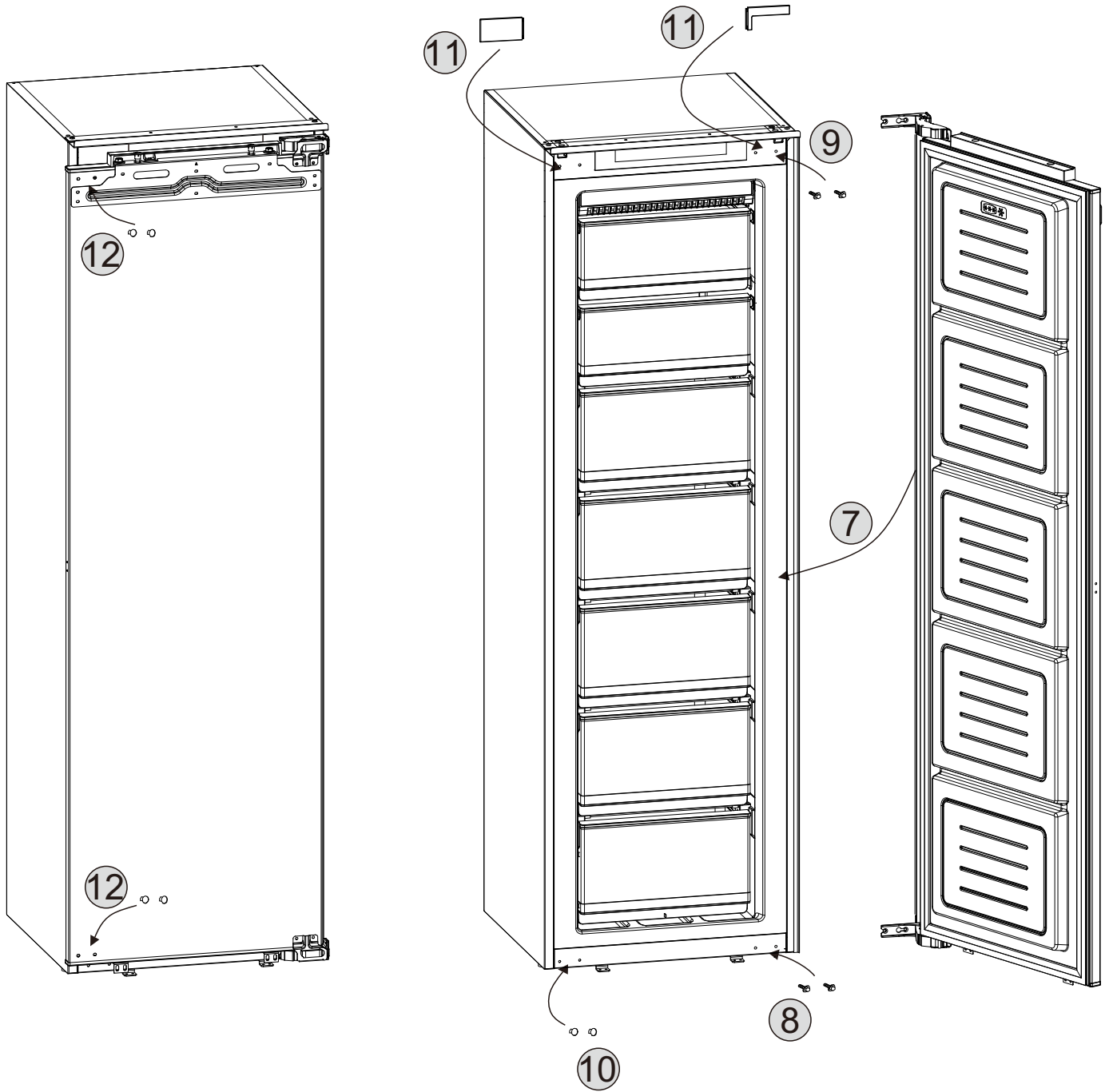


A (mm)	B (mm)	C (mm)
1680	1776	1778-1781



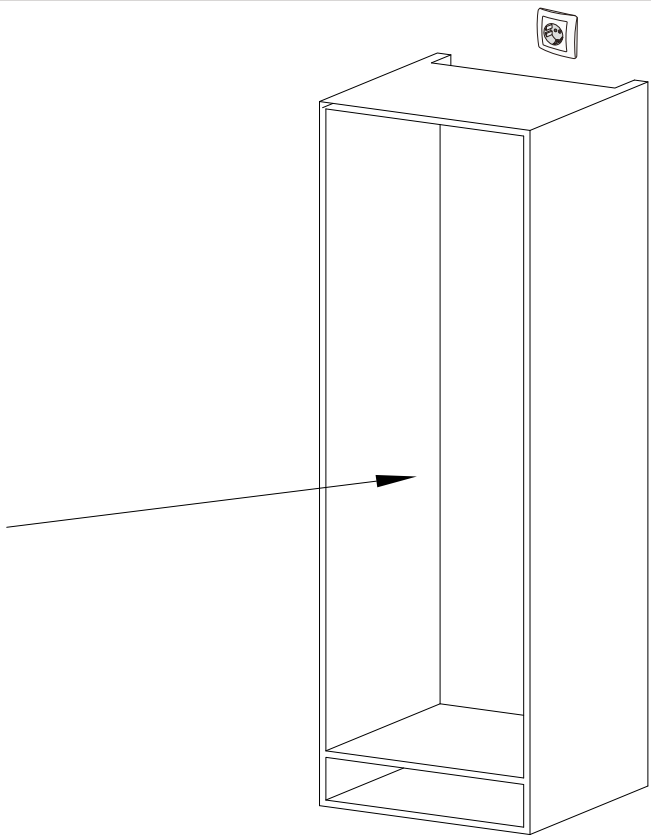
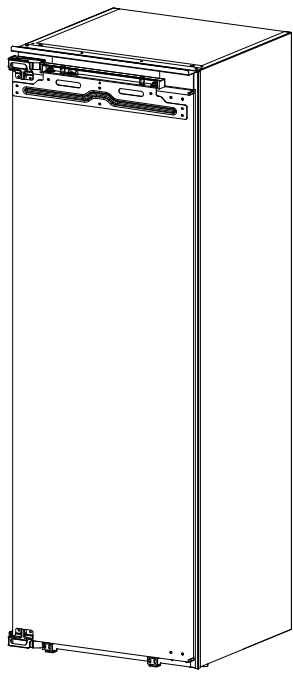
A



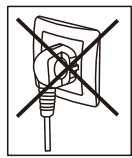
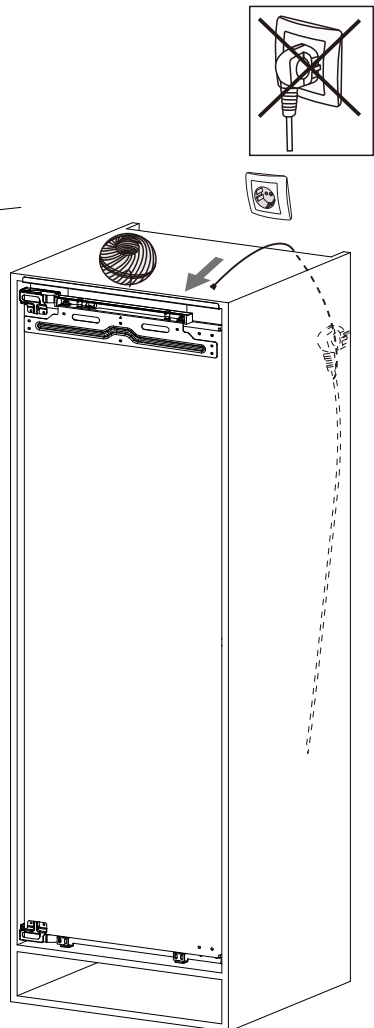
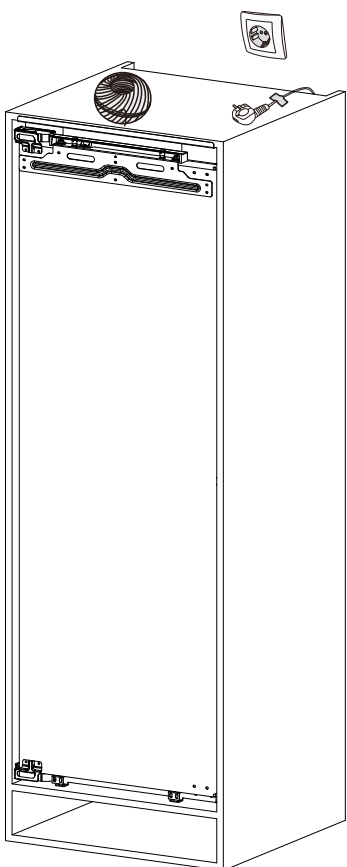


B

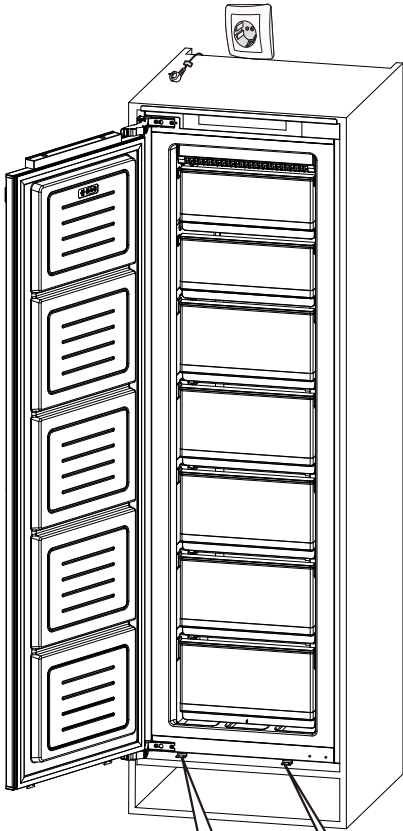
1



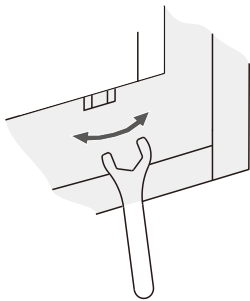
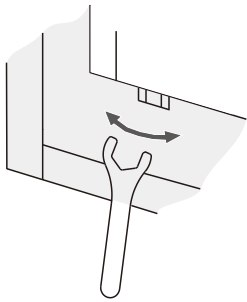
2



3

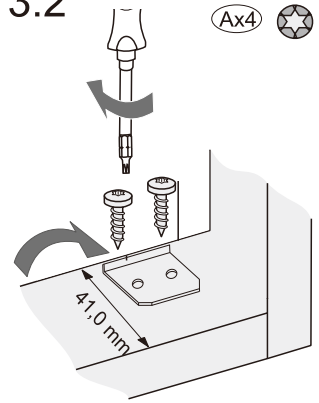


3.1

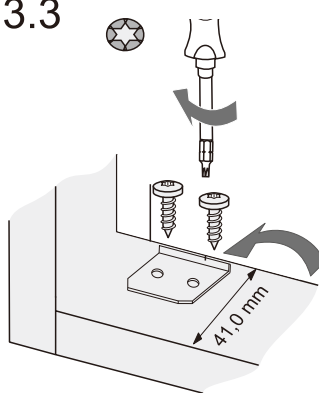


1x1

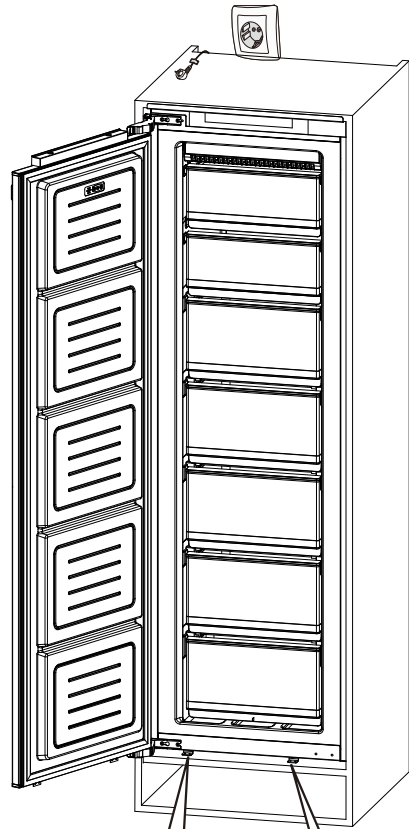
3.2



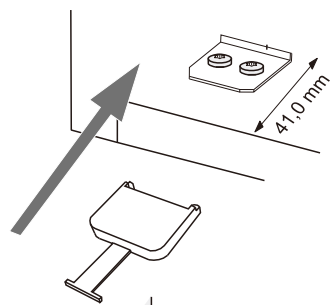
3.3



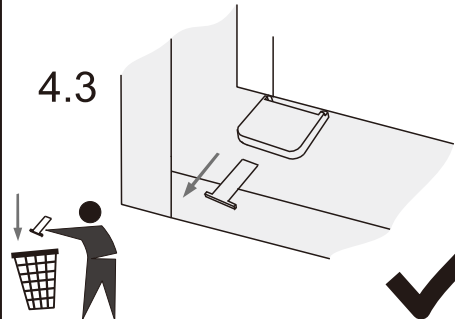
4



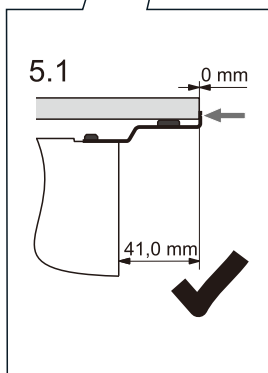
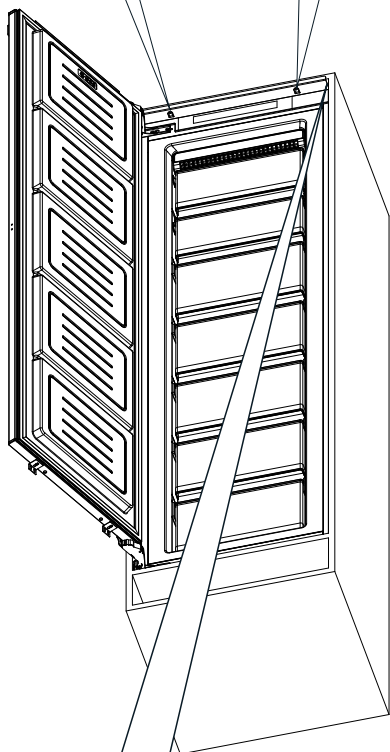
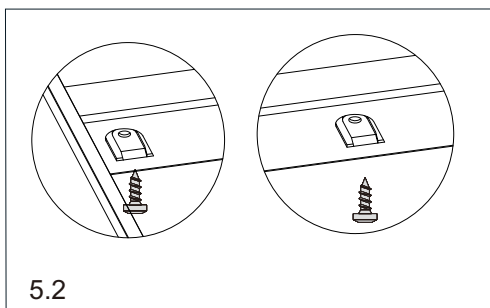
4.2



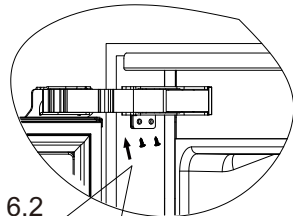
4.3



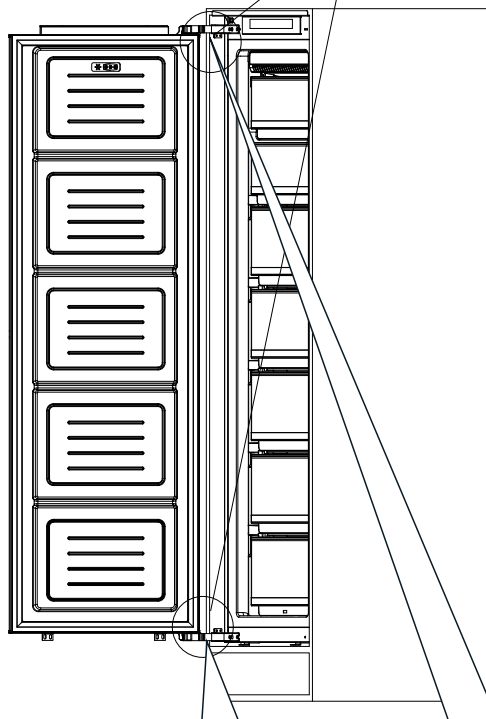
5



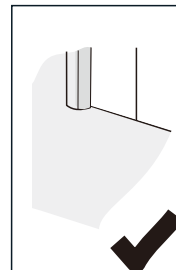
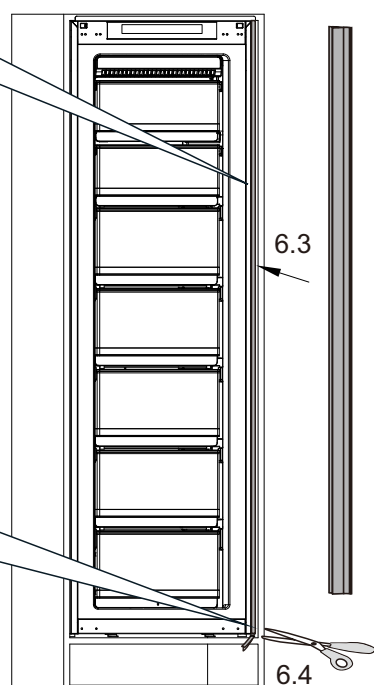
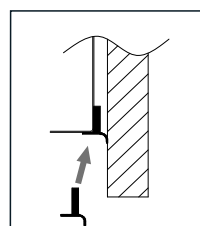
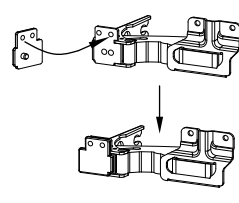
6



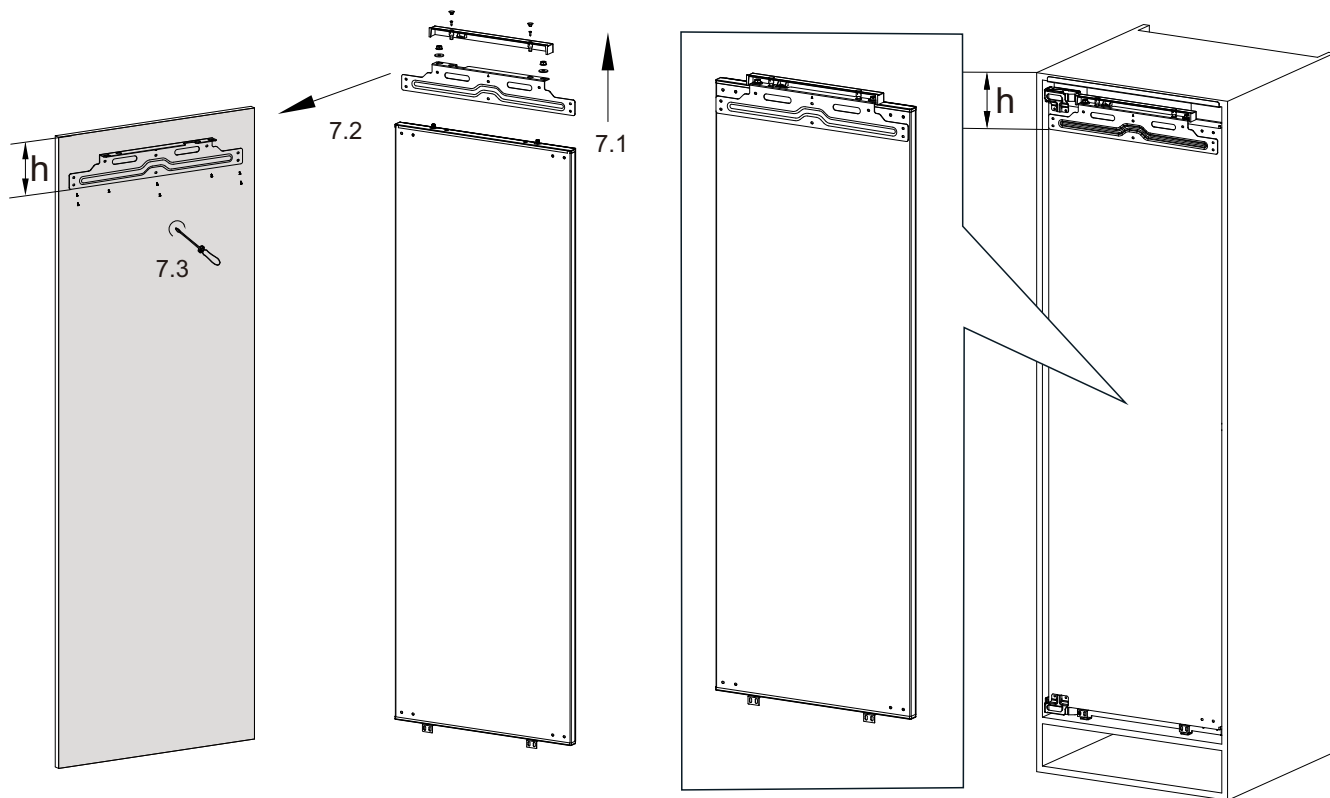
6.2



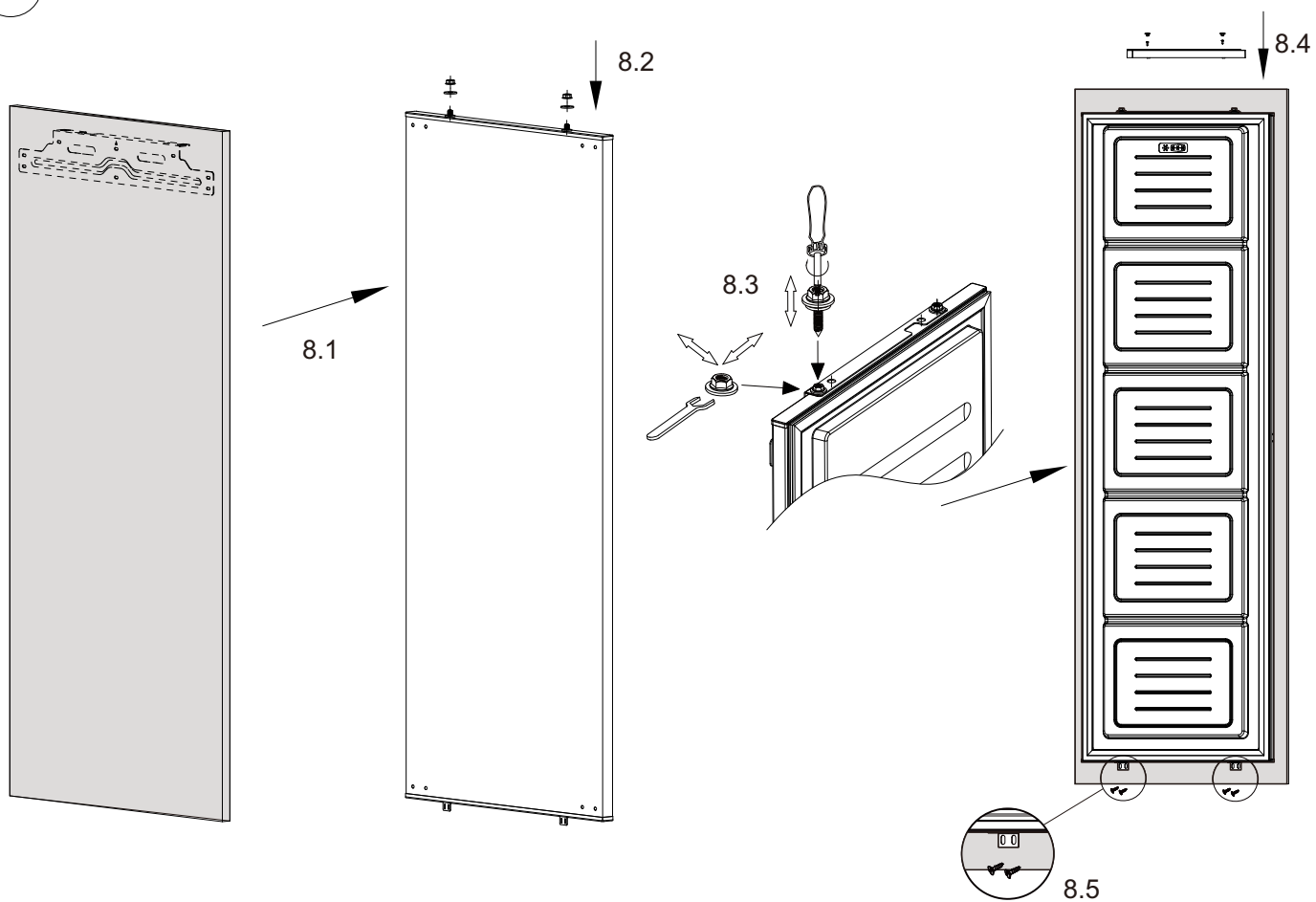
6.1



7



8



9

